

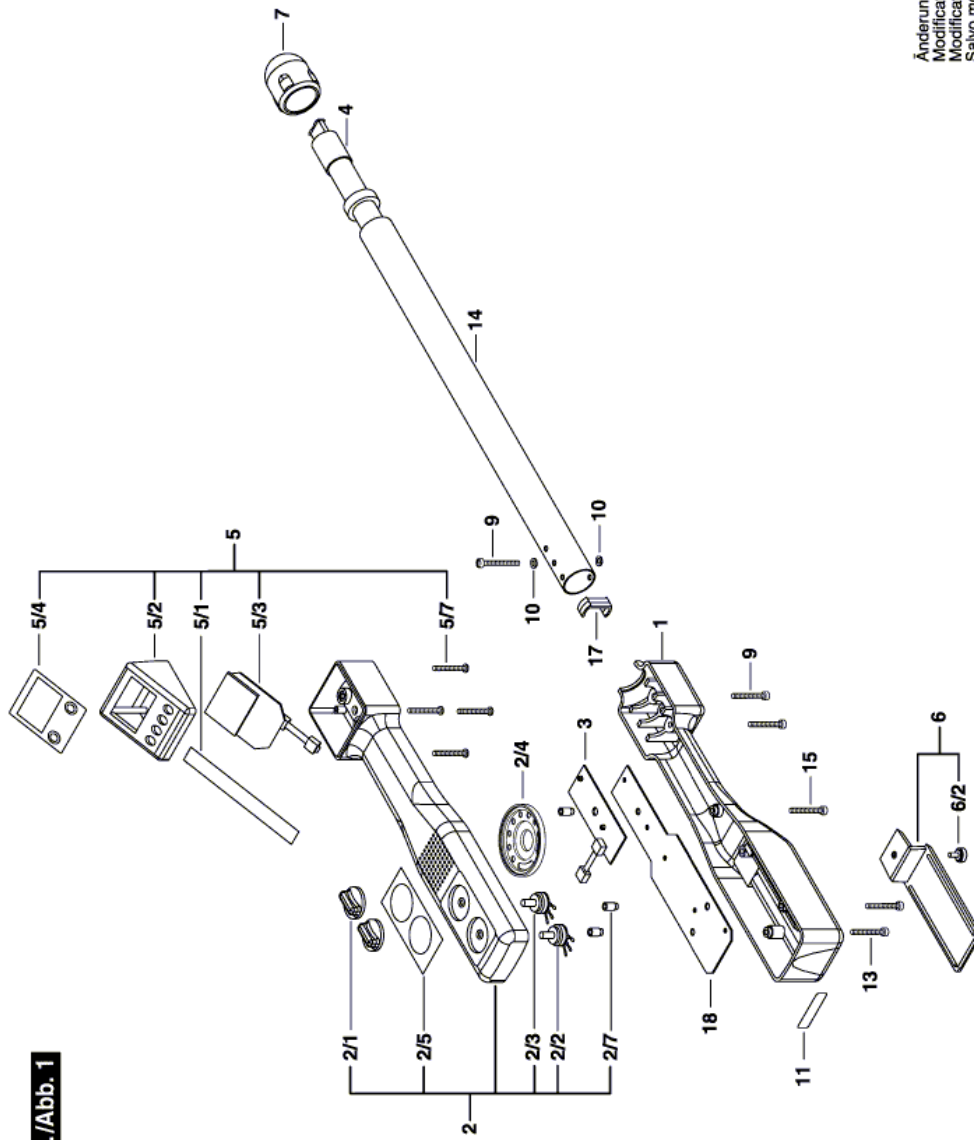
## . - F 034 K82 300 - MT102

Item	Part Number	Description	Illustration	Price	Quantity	Price Group
1	2 610 A04 506	Housing	1	\$ 20.95	1	32
2	2 610 A04 500	Upper Housing	1	\$ 61.75	1	42
2/1	2 610 A04 404	Knob	1	\$ 2.42	2	15
2/2	2 610 A04 405	Electronic Module	1	\$ 3.55	1	17
2/3	2 610 A04 406	Electronic Module	1	\$ 3.55	1	17
2/4	2 610 A04 435	Loudspeaker 8 Ohm	1	\$ 9.35	1	24
2/5	2 610 A04 437	Label	1	\$ 3.55	1	17
2/7	2 610 A04 441	Spacer	1	\$ 0.65	3	10
3	2 610 A04 551	Printed Circuit Board	1	\$ 61.75	1	42
4	2 610 A04 473	tube sensor	1	\$ 185.00	1	51
5	2 610 A04 544	EL Control Unit	1	\$ 165.00	1	50
5/1	2 610 A04 542	Cable	1	\$ 5.45	1	20
5/2	2 610 A04 447	Cover	1	\$ 8.30	1	23
5/3	2 610 A04 513	Printed Circuit Board	1	\$ 56.50	1	41
5/4	2 610 A04 425	Label	1	\$ 4.10	1	18
5/7	2 610 A04 484	Screw	1	\$ 0.65	4	10
6	2 610 A04 535	Battery Cover	1	\$ 8.30	1	23
6/2	2 610 A04 403	Screw	1	\$ 2.77	1	16
7	2 610 A04 572	Bumper	1	\$ 6.25	1	21
9	2 610 A04 442	Screw	1	\$ 0.65	3	10
10	2 610 A04 519	Locking Washer	1	\$ 0.65	2	10
11	2 610 A04 517	Label	1	\$ 1.29	1	12
13	2 610 A04 520	Screw	1	\$ 0.65	2	10
14	2 610 A04 410	Tube	1	\$ 36.60	1	37
15	2 610 A04 486	Screw	1	\$ 0.65	1	10
17	2 610 A04 616	Cable Clip	1	\$ 1.90	1	14
18	2 610 A04 540	Printed Circuit Board	1	\$ 141.00	1	49

Product information . - F 034 K82 300 - MT102

Product No	F 034 K82 300
Description	0; .
DIN-Text	
ID_Text_Ext	0
Trading_Description	MT102
Voltage_1	0 V
ID_Country_Product	USA

Illustration - Type E



**Fig./Abb. 1**

F 034 K82 300  
Issue | 129-66C  
Stand | 11-02-09

Änderungen vorbehalten  
Modifications reserved  
Modificaciones reservadas  
Salvo modificaciones

Information subject to change without further notice.