

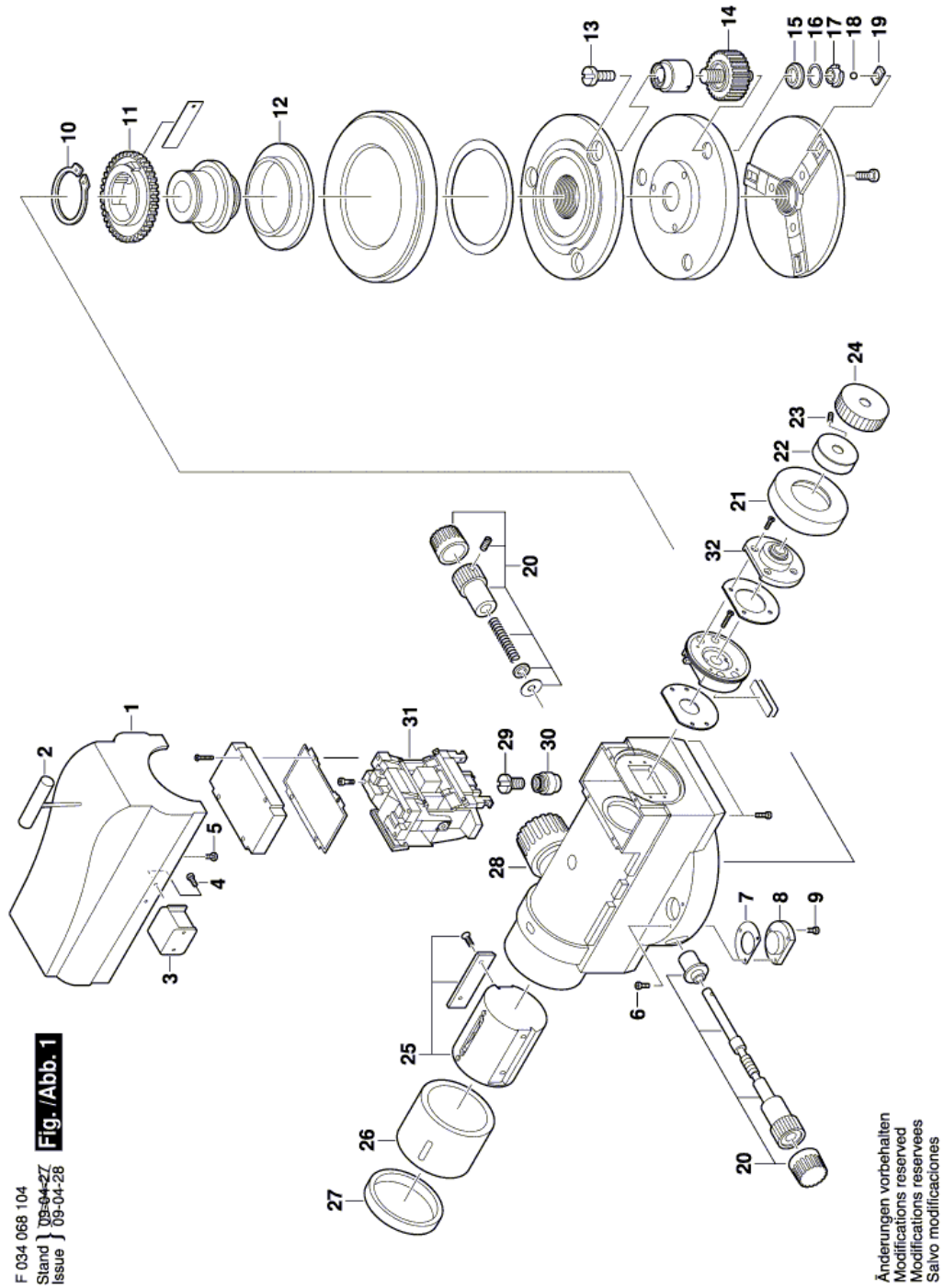
Optical level - F 034 068 400 - SAL24ND

Item	Part Number	Description	Illustration	Price	Quantity	Price Group
1	2 610 A15 133	Housing Cover		1 \$ 9.35	1	24
2	2 610 A05 655	viewfinder tube		1 \$ 2.42	1	15
3	2 610 A05 657	Reader		1 \$ 7.20	1	22
4	2 610 A05 656	Screw		1 \$ 0.65	2	10
5	2 610 A05 696	Screw		1 \$ 0.65	1	10
6	2 610 A05 698	Screw		1 \$ 0.65	2	10
7	2 610 A05 697	Spring		1 \$ 0.65	1	10
8	2 610 A05 718	Bubble Level		1 \$ 8.30	1	23
9	2 610 A05 758	Screw		1 \$ 0.65	3	10
10	2 610 A05 671	Retaining ring		1 \$ 0.65	1	10
11	2 610 A05 667	Gear		1 \$ 4.70	1	19
12	2 610 A05 744	Retaining ring		1 \$ 1.29	1	12
13	2 610 A05 734	Screw		1 \$ 0.65	3	10
14	2 610 A05 628	Adjusting Screw		1 \$ 3.55	3	17
15	2 610 A05 629	Tension Cone		1 \$ 1.07	3	11
16	2 610 A05 630	Washer		1 \$ 0.65	3	10
17	2 610 A05 631	Nut		1 \$ 1.07	3	11
18	2 610 A05 692	Ball Bearing		1 \$ 0.65	3	10
19	2 610 A05 693	Ball seat		1 \$ 0.65	3	10
20	2 610 A05 702	Adjusting Screw		1 \$ 16.65	1	30
21	2 610 A05 749	Cover Ring		1 \$ 1.29	1	12
22	2 610 A05 725	Cover		1 \$ 2.42	1	15
23	2 610 A05 724	Set screw		1 \$ 0.65	3	10
24	2 610 A05 750	Cap		1 \$ 1.90	1	14
25	2 610 A05 651	Pusher		1 \$ 18.70	1	31
26	2 610 A05 757	Sun Shade		1 \$ 3.55	1	17
27	2 610 A05 715	Cover		1 \$ 1.90	1	14
28	2 610 A05 701	Focusing device		1 \$ 15.25	1	29
29	2 610 A05 752	Lock Screw		1 \$ 0.65	2	10
30	2 610 A05 751	Transport Lock		1 \$ 7.20	1	22
31	2 610 A05 722	Compensator		1 \$ 32.30	1	36
32	2 610 A05 728	eyepiece		1 \$ 40.50	1	38

Product information Optical level - F 034 068 400 - SAL24ND

Product No	F 034 068 400
Description	298,352; Optical level
DIN-Text	
ID_Text_Ext	0
Trading_Description	SAL24ND
Voltage_1	0 V
ID_Country_Product	USA

Illustration - Type E



Information subject to change without further notice.