



Model # WL400MH

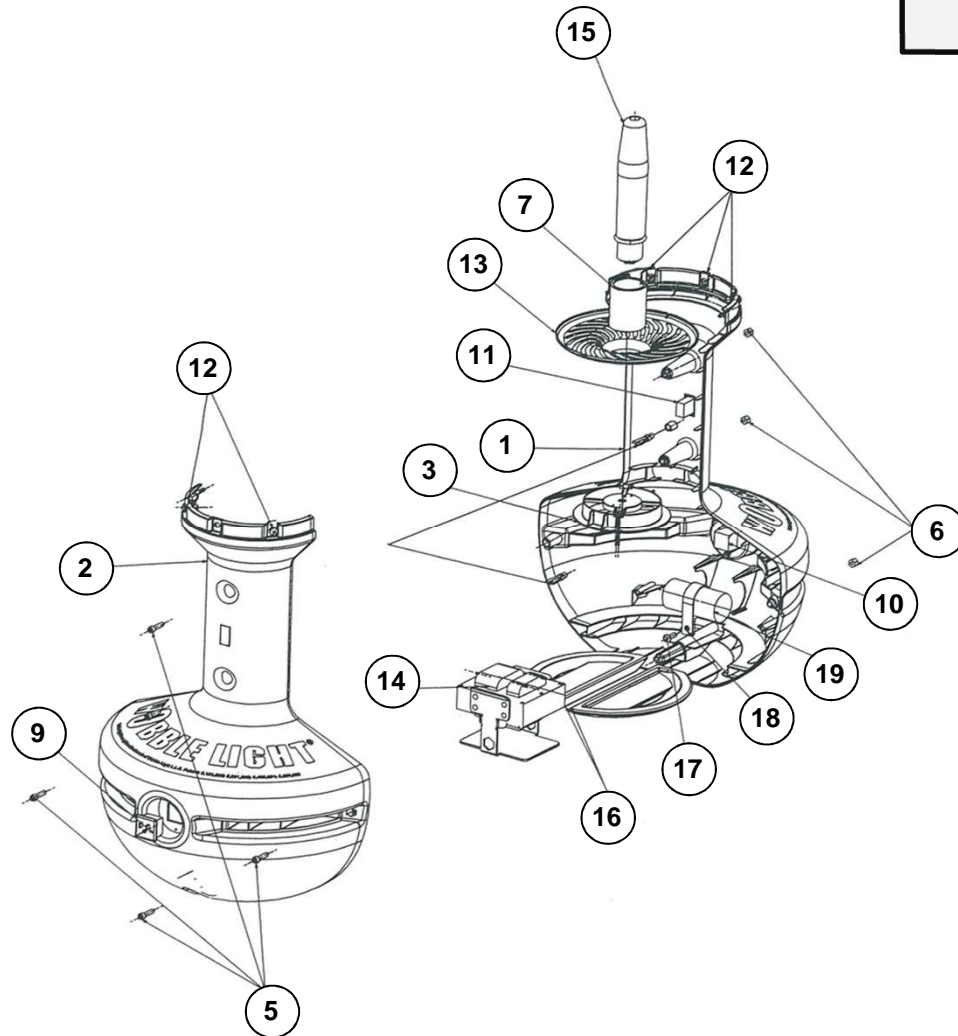
Part # 111104

400w Metal Halide Light

Specifications

Type = 400-watt Metal Halide
 Mean Lumens = 38,000
 Current = 3.6 Amps
 Voltage = 110VAC +/- 10%
 Weight = 29 lbs

Height = 36"
 Diameter (max) = 18"
 Color = yellow PMS-123C
 Lighting Range = 80-110 ft.
 Maximum units in series = 3



No.	Part #	Description	Qty.
1	11108087	Body Housing, ABS (front)	1
2	11108088	Body Housing, ABS (rear)	1
3	11101050	Fan, 120VAC, IP52	1
5	11108045	Screw, housing	5
6	11108040	Nut, housing	5
7	11102001	Socket, E39 mogul base	1
9	11101060	Plug, receptacle (female)	1
10	11101059	Plug, inlet (male)	1
11	11108066	Switch, sealed rocker	1
12	11108018	U-nut	5
13	111809	Shock disk	1
14	13101003*	Transformer w/bracket	1
15	111903	Bulb, 400W Metal Halide	1
16	11108038	Counterweight, 4.4-lb	2
17	11101504	Screw, capacitor clamp	1
18	11108102	Clamp, 2.0" (for 400MH cap)	1
19	11101009*	Capacitor, 24uF (400MH)	1
ns	111801	Dome & cap assembly	1
ns	11101008	PC Board	1
ns	11108110	Circuit breaker, 12A	1
ns	11101031	Fuseholder, in-line	1
ns	11101034	Fuse, 10A fast-blow ACG	1
*	11101014	Transformer Kit	--