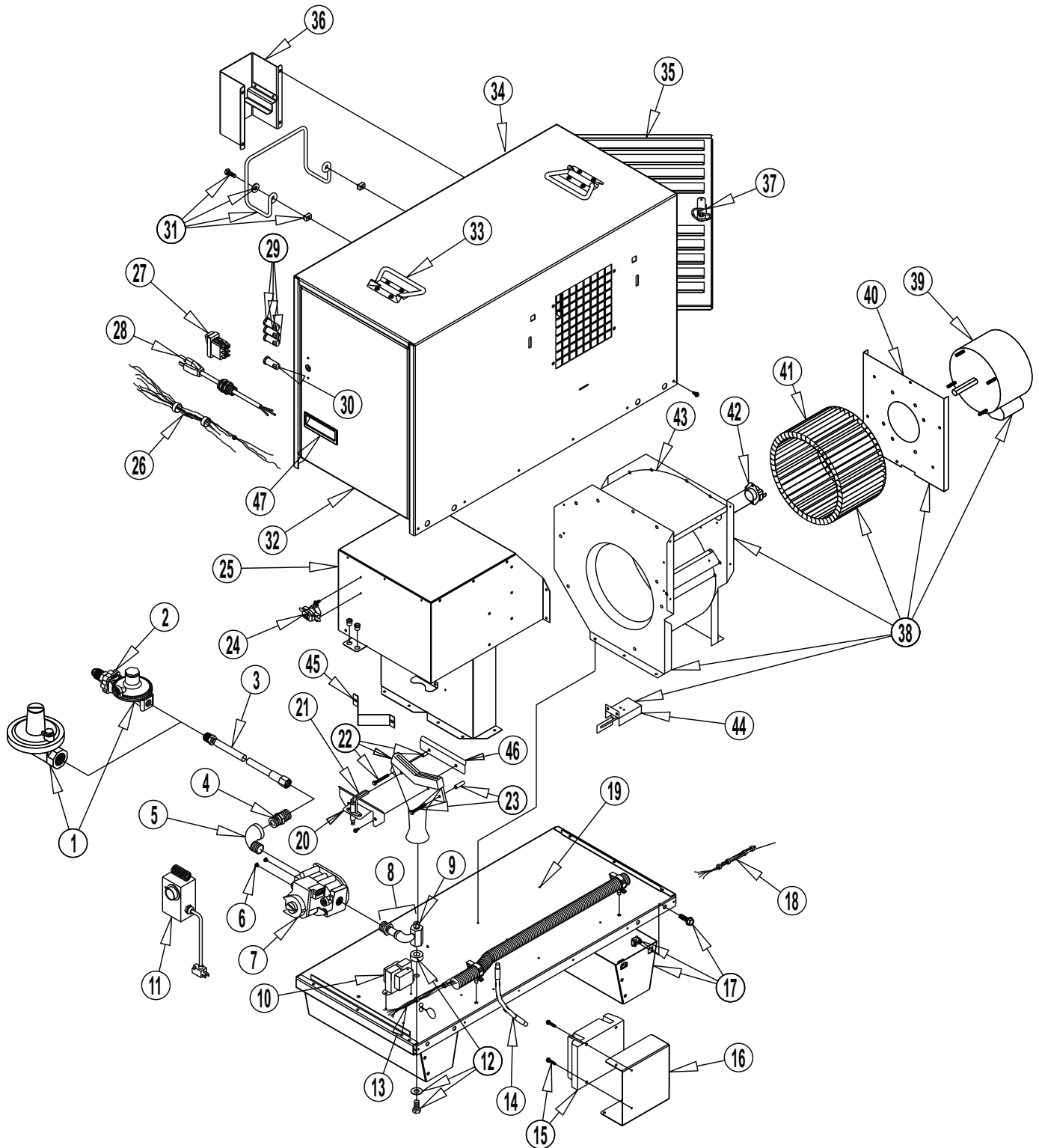


Parts Identification

Premier 80 CAN
Model TS080G

PARTS SCHEMATIC



Parts Identification

Premier 80 CAN Model TS080G

PARTS LIST

Item	Description		Part Number
1	Regulator	Propane Gas	26377
		Natural Gas	21999
2	Handwheel w/ Spring	Propane Gas	26395
3	Universal Hose Kit, 4.57 m. Hose w/ Adapters		24600
4	Adapter 1/2 NPT x 5/8 - 18		06655
5	Ell		09309
6	Screw		09425
7	Valve, Gas Control	Propane Gas	22076
		Natural Gas	22078
8	Manifold Assembly w/ Orifice	Propane Gas	26391
		Natural Gas	26438
9	Orifice, Burner	Propane Gas	571625
		Natural Gas	571626
10	Transformer		26412
11	Thermostat Kit w/ 6.10 m.Cord		09454
12	Washer, Bolt, Spacer		25866
13	Harness, Wire, Burner End		26383
14	Wire, Igniter		25840
15	Control Ignition		25865
16	Bracket, Ignition Control		26411
17	Support Leg		26378
18	Harness, Wire, Motor End		26382
19	Base		26380
20	Bracket, Igniter/Sensor		571663
21	Igniter		25841
22	Burner		26484
23	Screws and Spacers		571211
24	Switch, High Limit, Burner End (275 °F)		03933
25	Chamber, Heat		571666
26	Harness, Wire, Status Lights		26381
27	Switch, Selector		26385
28	Cord, Power		26379
29	Light,Status, 24 Volt		26392
30	Light,Status, 120 Volt		26393
31	Hanger, Hose		571619
32	Door Assembly, Burner End	Propane Gas	26456
		Natural Gas	26457
33	Handle		25859
34	Case Assembly	Propane Gas	26469
		Natural Gas	26468
35	Door Assembly, Fan End		26435
36	Thermostat Bracket		26401
37	Latch, Door		26437
38	Fan Assembly		26384
39	Motor		20292
40	Motor Mount		571686
41	Fan		570304
42	Switch, High Limit, Fan End (250 °F)		571671
43	Housing, Fan		571612
44	Switch, Air Proving		26485
45	Bracket, Burner		571649
46	Bracket, Flame Arrestor		571609
47	Handle, Door Pull		26479