

Spare parts list Forward plate FP 75

	Valid from serial number
FP 75 Honda	BGF000001



General information

This spare parts list applies to the following:

Part number	Description
3382 0003 31	Forward plate FP 75 Honda

Use only authorized parts. Any damage or malfunction caused by the use of unauthorized parts is not covered by Warranty or Product Liability. Any unauthorized use or copying of the contents or any part thereof is prohibited. This applies in particular to trademarks, model denominations, part numbers, and drawings.

Instructions for use

This spare parts list contains no safety regulations and is merely intended to assist in the ordering of spare parts.

For information about operating, servicing, or repairing, the relevant Safety and operating instructions must be consulted at all costs.

Please observe the safety instructions listed in the relevant Safety and operating instructions!

Contents

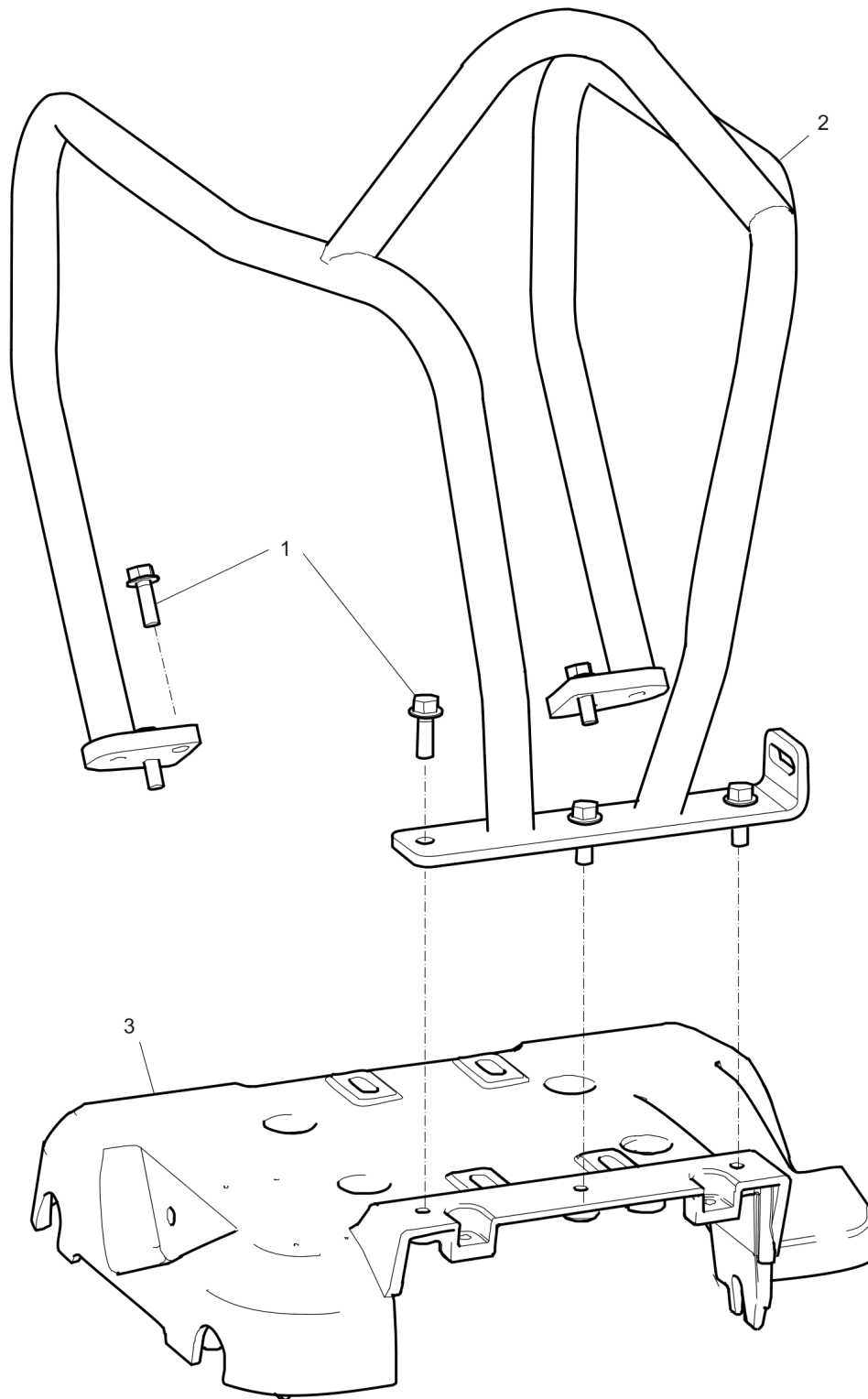
Spare parts list

Engine plate installation 4
Ground plate installation 6
Block paving plate 420 mm (16.5 in.) 8
Lifting handle 10
Transport device 12
Sprinkler system 14
Fork lifting device 16
Engine installation, Honda 18
Engine, Honda GX 160 UT2 SXS4 OH 20
Transmission cover 23
Handle 26
Labels 28

Kits

One year service kit, Honda 30
Shock absorber repair kit 32
Eccentric element repair kit 34
Block paving plate kit 420 mm (16.5 in.) 36
Transport device kit 38
Sprinkler system kit 40
Fork lifting device kit 42

Spare parts list Engine plate installation

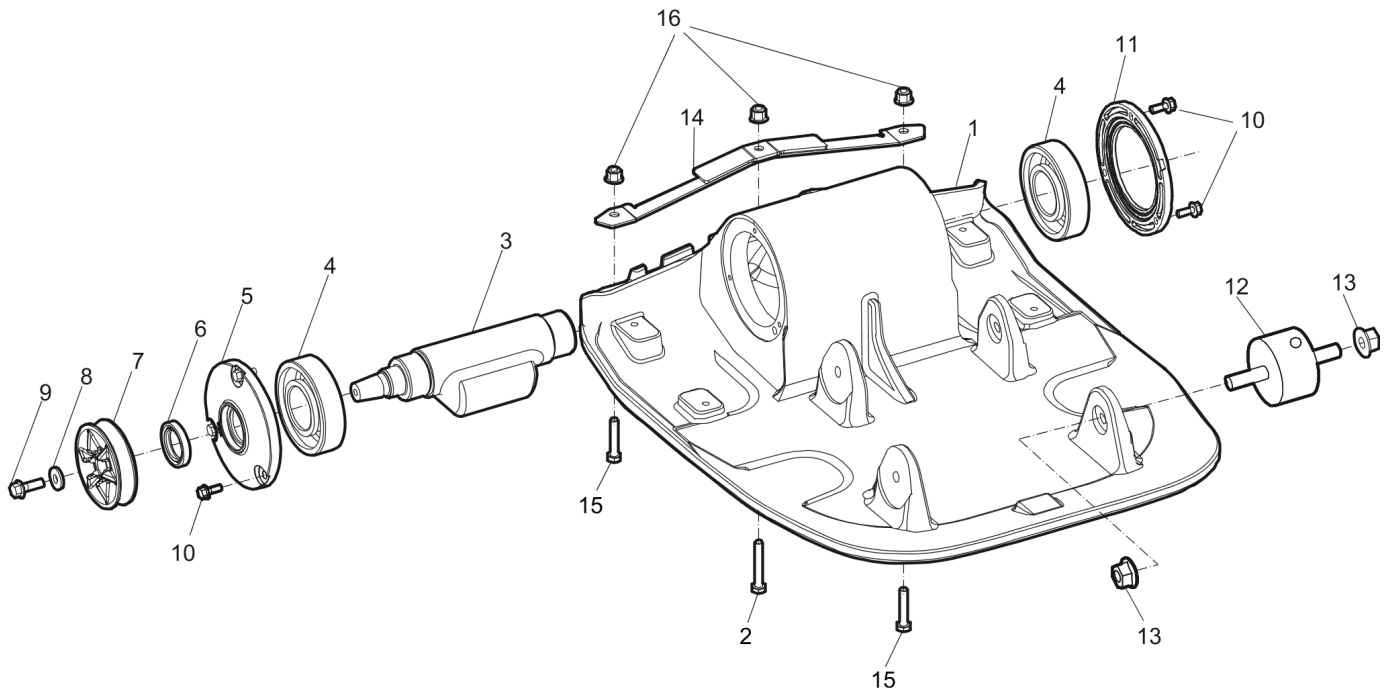


Refer to Parts Online for the most up to date information. The printed information might be outdated.

Wed Oct 15 05:52:24 MDT 2014

Item	Part No.	Name	Qty	L
1	-	Screw, M8 x 25 mm 8.8 A2K	7	
2	3382012490	Protective frame	1	
3	3382012671	Engine plate	1	

Spare parts list Ground plate installation



Refer to Parts Online for the most up to date information. The printed information might be outdated.

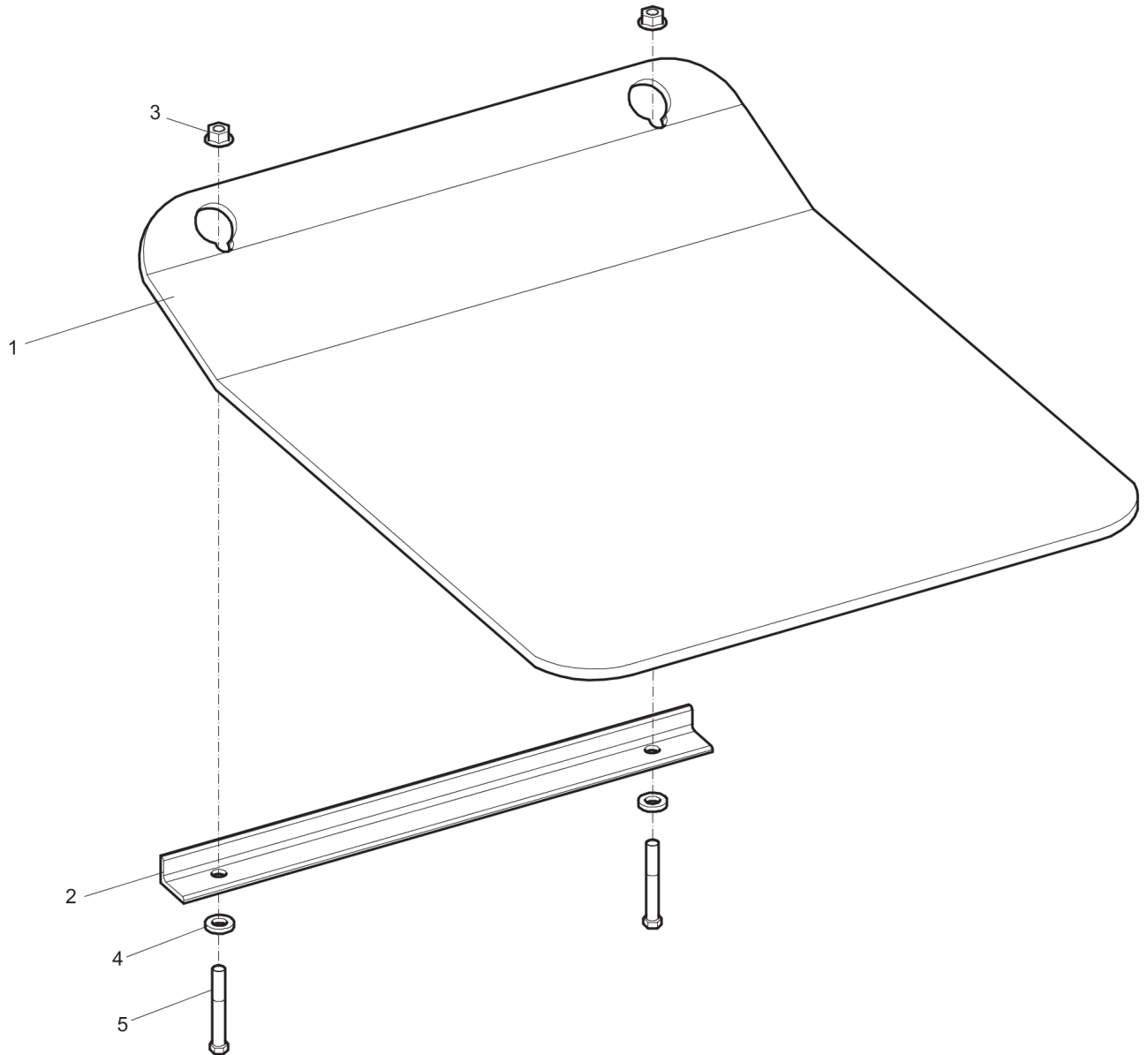
Wed Oct 15 05:52:25 MDT 2014

Item	Part No.	Name	Qty	L
1	4812070452	Ground plate, 420 mm, 16.5 in.	1	
2	-	Screw, M8 x 45 mm 8.8 A2K	1	
3	4812070058	Eccentric shaft	1	
4	4700792711	Ball bearing	2	
5	4700396548	Cover	1	
6	4700163105	Lip-type oil seal	1	
7	4700395013	V-belt pulley	1	
8	-	Washer, 8.4 x 22 x 3 mm, 0.33 x 0.87 x 0.12 in. 300 HV	1	
9	-	Screw, M8 x 25 mm 8.8 A2K	1	
10	-	Screw, M6 x 16 mm 8.8 A2K	6	
11	4700396549	Cover	1	
12	4700282373	Shock absorber	4	
13	4700570103	Nut, M10 x 1.5 mm GEOMET®	8	A
14	4812070664	Sprinkler bar, 420 mm, 16.5 in.	1	
15	-	Screw, M8 x 55 mm 8.8 A2K	2	
16	-	Lock nut, M8 x 1.25 mm A2K	3	

Comments for Page: Ground plate installation

A || GEOMET is a registered trademark of Nof Metal Coatings North America Inc.

Spare parts list Block paving plate 420 mm (16.5 in.)

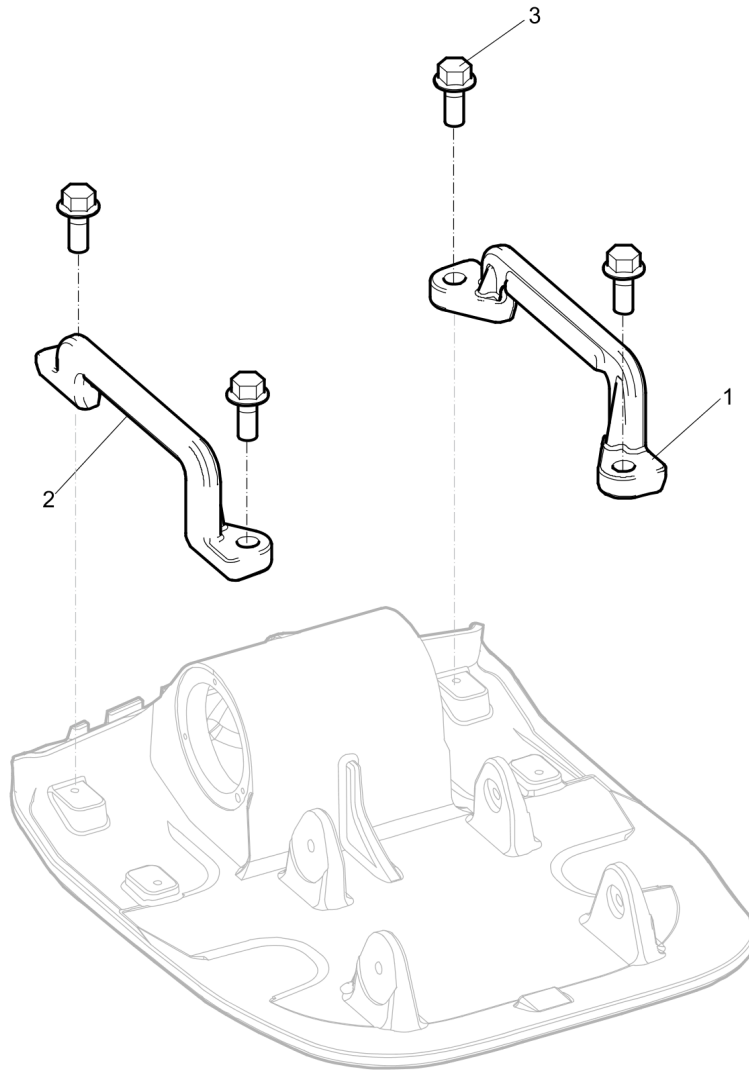


Refer to Parts Online for the most up to date information. The printed information might be outdated.

Wed Oct 15 05:52:26 MDT 2014

Item	Part No.	Name	Qty	L
1	4700394043	Polyurethane plate	1	
2	4700394044	Bracket	1	
3	-	Hexagon flange nut, M8 x 1.25 mm A2K	2	
4	-	Washer, 8.4 x 16 x 1.5 mm, 0.33 x 0.63 x 0.06 in. 300 HV	2	
5	-	Hexagon head screw, M8 x 75 mm 8.8	2	

Spare parts list Lifting handle



Item	Part No.	Name	Qty	L
1	4700395018	Handle	1	A
2	4700395020	Handle	1	B
3	-	Screw, M8 x 20 mm 8.8 A2K	4	

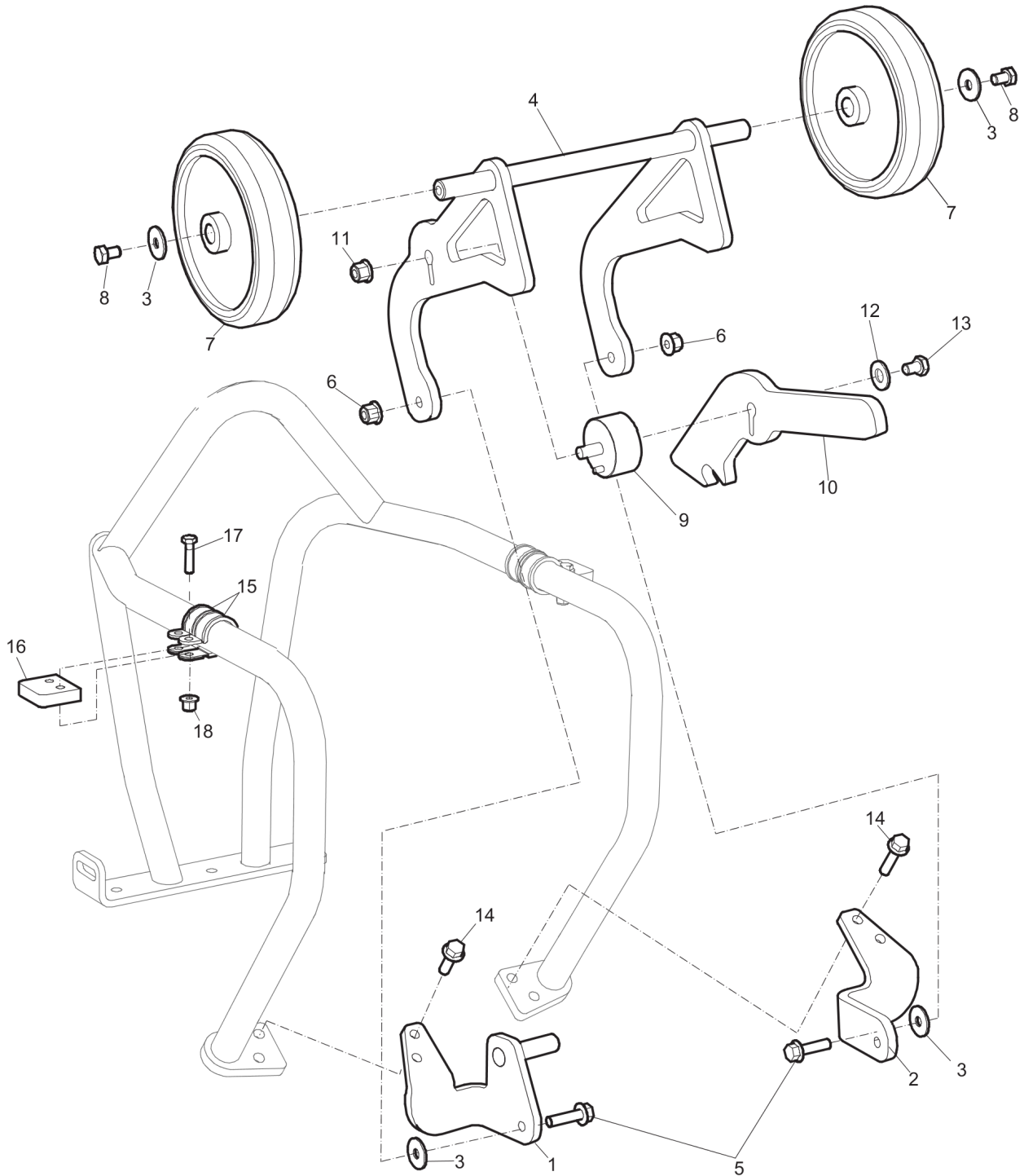
Comments for Page: Lifting handle

(L)OCAL REMARKS

A | Right

B | Left

Spare parts list Transport device

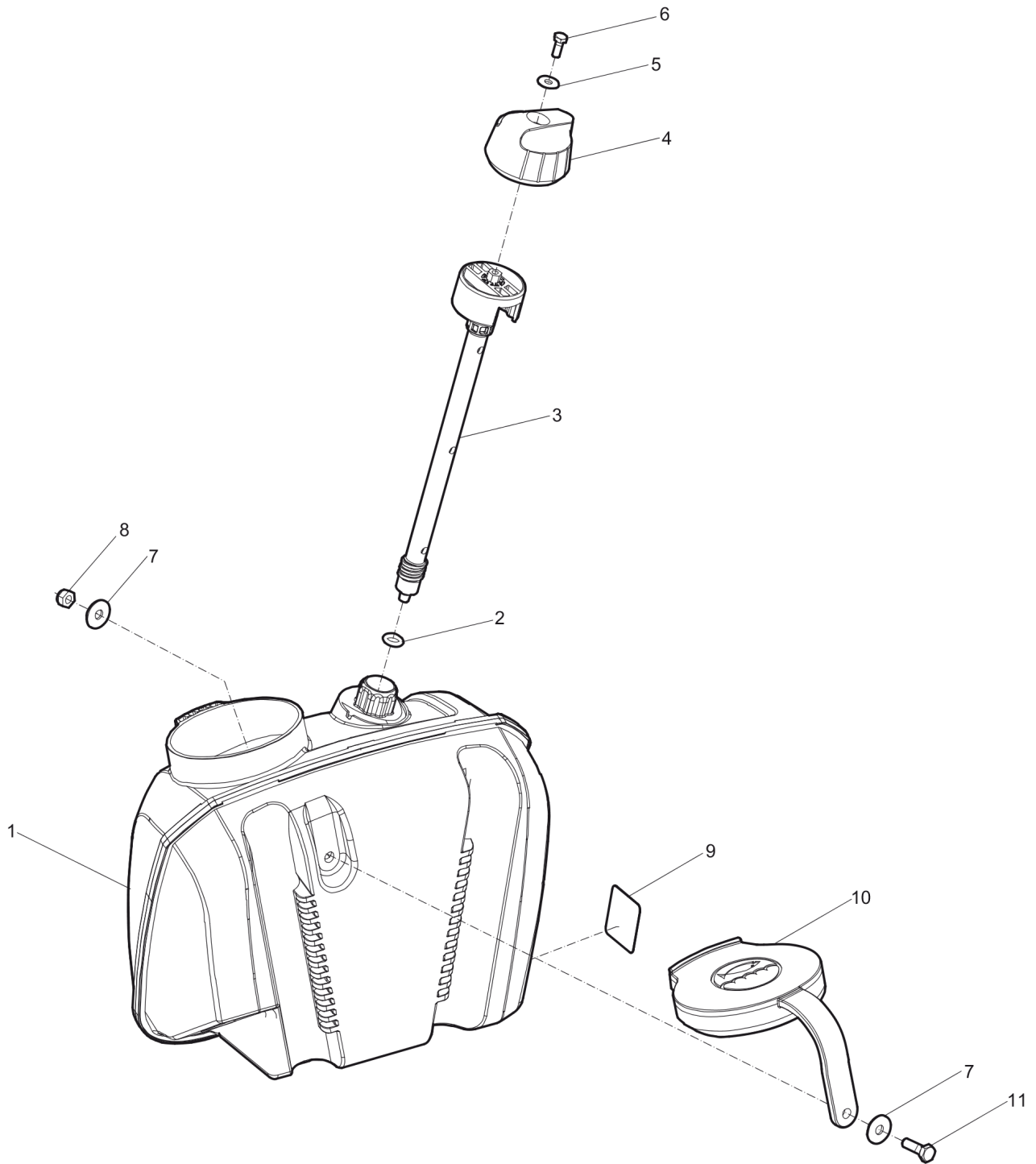


Refer to Parts Online for the most up to date information. The printed information might be outdated.

Wed Oct 15 05:52:27 MDT 2014

Item	Part No.	Name	Qty	L
1	3382012687	Bracket, left	1	
2	3382012689	Bracket, right	1	
3	-	Washer, 8.4 x 25 x 2 mm, 0.33 x 0.98 x 0.08 in.	4	
4	3382012688	Fork	1	
5	-	Screw, M8 x 30 mm 8.8 A2K	2	
6	-	Nut, M8 A2K	2	
7	4700383582	Wheel	2	
8	-	Screw, M8 x 12 mm 8.8 A2K	2	
9	4700385387	Shock absorber	1	
10	4812070471	Hook	1	
11	-	Nut, M10	1	
12	-	Washer, 10.5 x 22 x 2 mm, 0.41 x 0.87 x 0.08 in.	1	
13	-	Screw, 10 x 20 mm 8.8 FZB	1	
14	-	Screw, M8 x 35 mm 8.8 FZB	4	
15	4700921028	Pipe clamp	4	
16	4812070210	Stop	2	
17	-	Screw, M6 x 25 mm 8.8 FZB	4	
18	-	Nut, M6	4	

Spare parts list Sprinkler system

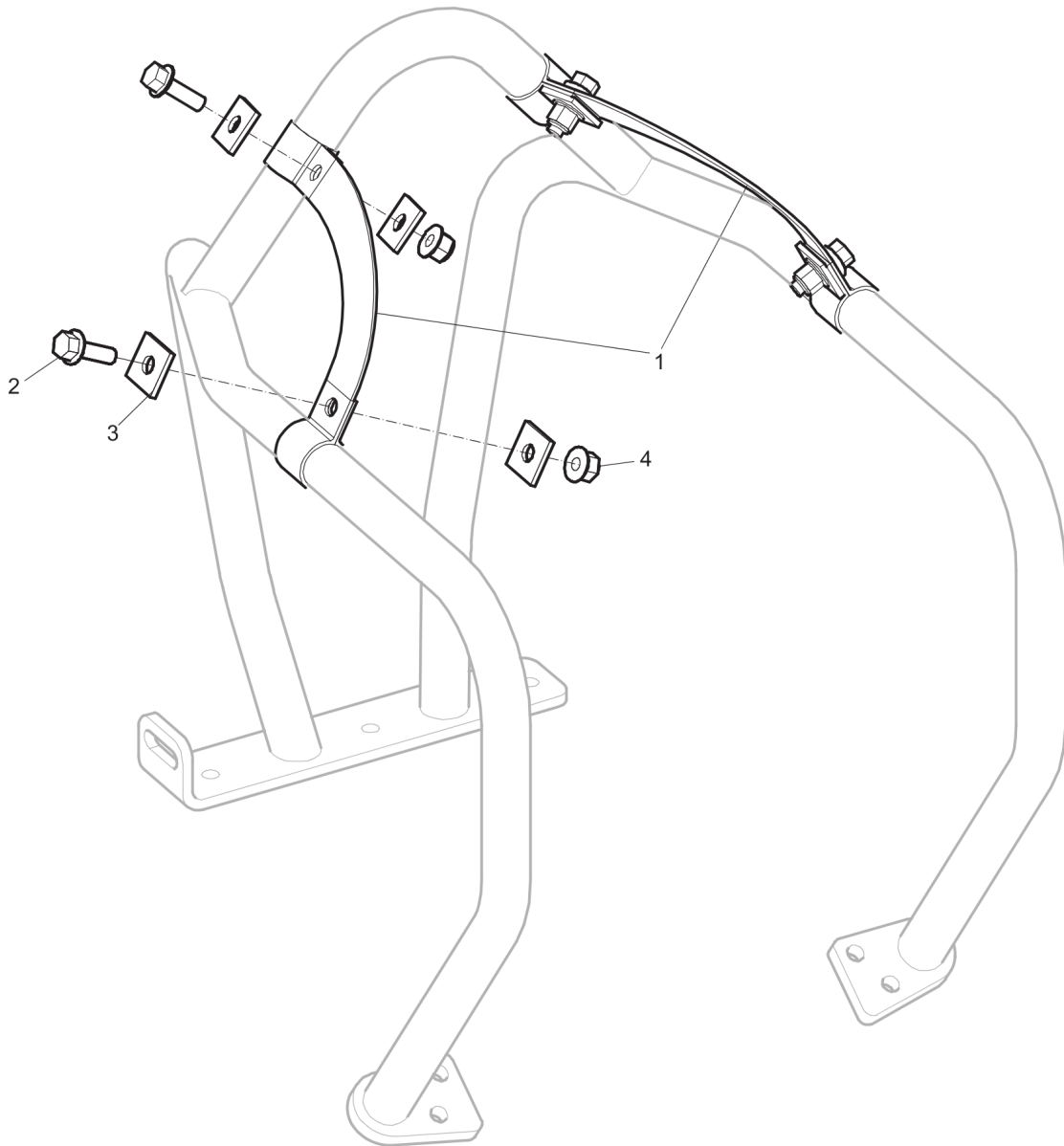


Refer to Parts Online for the most up to date information. The printed information might be outdated.

Wed Oct 15 05:52:28 MDT 2014

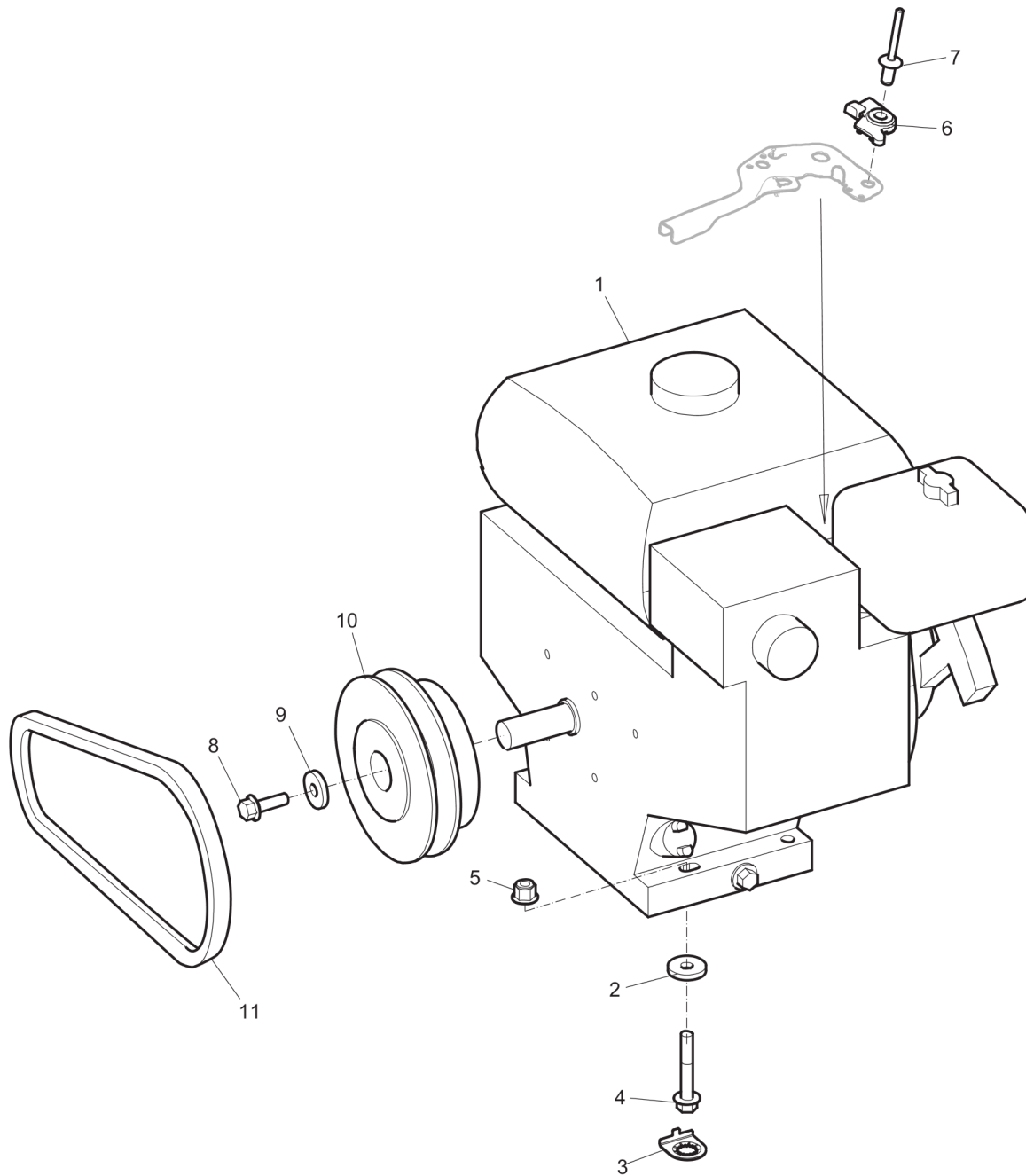
Item	Part No.	Name	Qty	L
1	3382010850	Water tank	1	
2	4700792804	O-ring	1	
3	4700393020	Valve rod	1	
4	4700392073	Handle	1	
5	-	Washer, 6.4 x 18 x 1.6 mm, 0.25 x 0.71 x 0.06 in.	1	
6	-	Screw, M6 x 16 mm 8.8 A2K	1	
7	-	Washer, 8.4 x 25 x 2 mm, 0.33 x 0.98 x 0.08 in.	2	
8	-	Lock nut, M8 -8 DIN 985	1	
9	4700393381	Decal	1	
10	4700392092	Cap	1	
11	-	Screw, M8 x 25 mm 8.8 A2K	1	

Spare parts list Fork lifting device



Item	Part No.	Name	Qty	L
1	4700396194	Lifting eye	2	
2	-	Screw, M8 x 25 mm 8.8 A2K	4	
3	-	Washer, 9 x 25 x 3 mm, 0.35 x 0.98 x 0.12 in.	8	
4	-	Lock nut, M8 x 1.25 mm A2K	4	

Spare parts list Engine installation, Honda



Refer to Parts Online for the most up to date information. The printed information might be outdated.

Wed Oct 15 05:52:29 MDT 2014

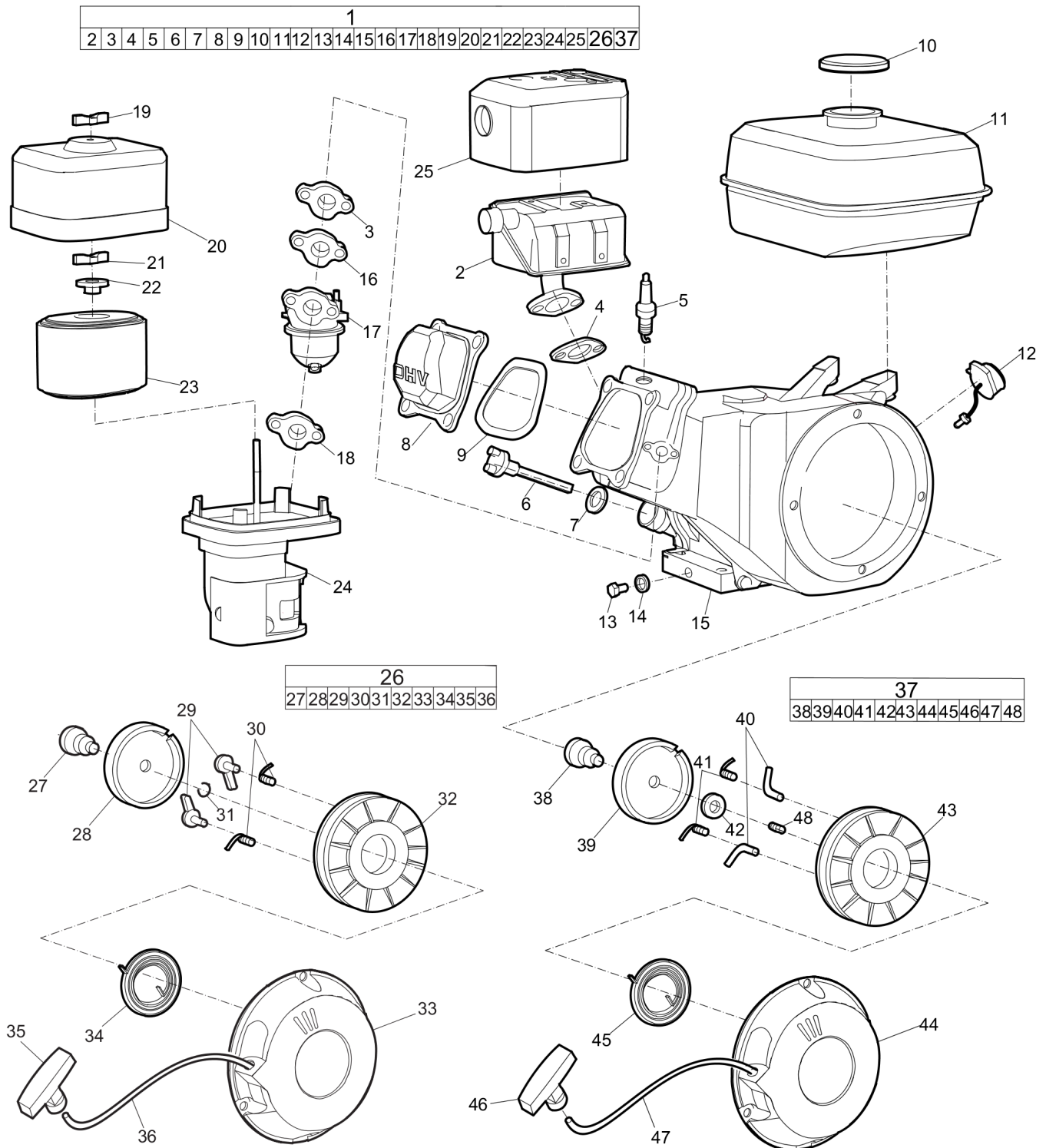
Item	Part No.	Name	Qty	L
1	4700281125	Engine	1	A
2	-	Washer, 8.4 x 26 x 4 mm, 0.33 x 1.02 x 0.16 in. 300 HV	4	
3	4700393903	Washer	4	
4	-	Screw, M8 x 50 mm 8.8 A2K	4	
5	-	Lock nut, M8 x 1.25 mm A2K	4	
6	4700396126	Stiffener	1	
7	-	Blind rivet, 6.4 x 12 mm , 0.25 x 0.47 in.	1	
8	-	Screw, M8 x 25 mm 8.8 A2K	1	
9	-	Washer, 8.4 x 26 x 4 mm, 0.33 x 1.02 x 0.16 in. 300 HV	1	
10	4700391706	Centrifugal clutch	1	
11	4700395658	V-belt	1	

Comments for Page: Engine installation, Honda

(L)OCAL REMARKS

A | Honda GX160UT2 SXS4 SD

Spare parts list Engine, Honda GX 160 UT2 SXS4 OH



Refer to Parts Online for the most up to date information. The printed information might be outdated.

Wed Oct 15 05:52:31 MDT 2014

Item	Part No.	Name	Qty	L
1	4700281125	Engine	1	
.2	3382100163	Silencer	1	
.3	3382100168	Gasket	1	
.4	4700239063	Gasket, muffler	1	
.5	3382100167	Spark plug	1	
.6	3382100165	Oil dipstick, complete	1	
.7	3382100166	Gasket	1	
.8	4700937917	Valve cover	1	
.9	4700238301	Gasket	1	
.10	3382100174	Fuel cap	1	
.11	3382100173	Fuel tank	1	
.12	3382100172	Engine switch	1	
.13	4700238302	Oil plug	1	
.14	4700238303	Gasket	1	
.15	--	Engine part	1	
.16	4700937049	Gasket	1	
.17	3382100164	Carburetor	1	
.18	4700939659	Spacer	1	
.19	4700239771	Nut	1	
.20	4700239685	Cover	1	
.21	4700239771	Nut	1	
.22	4700239772	Grommet	1	
.23	4700239323	Air filter, cpl	1	A
.24	4700938230	Air filter housing	1	
.25	4700239060	Muffler cover, upper	1	
.26	4700239065	Recoil starter, cpl	1	E, B
..27	4700239381	Screw	1	
..28	4700239380	Guide	1	
..29	4700239378	Ratchet	2	B
..30	4700239377	Spring	2	
..31	4700239379	Friction spring	1	B
..32	4700239376	Reel	1	
..33	---	Housing	1	
..34	4700239375	Spring	1	
..35	4700239391	Handle	1	
..36	4700239374	Starter rope	1	
.37	3382100176	Recoil starter, complete	1	D, C

Refer to Parts Online for the most up to date information. The printed information might be outdated.

Wed Oct 15 05:52:31 MDT 2014

Item	Part No.	Name	Qty	L
..38	3382100177	Adjustment screw	1	C
..39	4700239380	Guide	1	
..40	3382100169	Ratchet	2	C
..41	4700239377	Spring	2	
..42	3382100170	Friction washer	1	C
..43	3382100171	Reel	1	C
..44	---	Housing	1	
..45	4700239375	Spring	1	
..46	4700239391	Handle	1	
..47	4700239374	Starter rope	1	
..48	3382100175	Friction spring	1	J

Comments for Page: Engine, Honda GX 160 UT2 SXS4 OH

(L)OCAL REMARKS

A | Delivered with outer and inner filter.

B | Valid up to engine serial number 1411005.

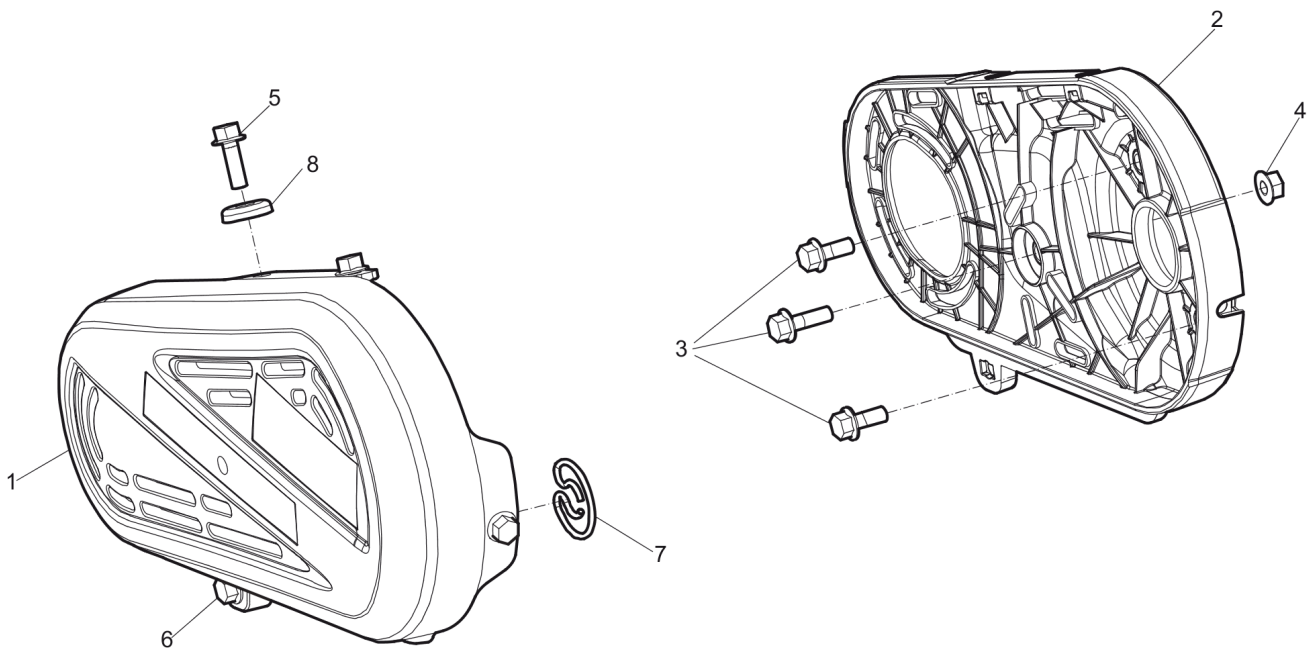
C | Valid from engine serial number 1411006.

D | Black

E | Red

This page intentionally left blank

Spare parts list Transmission cover

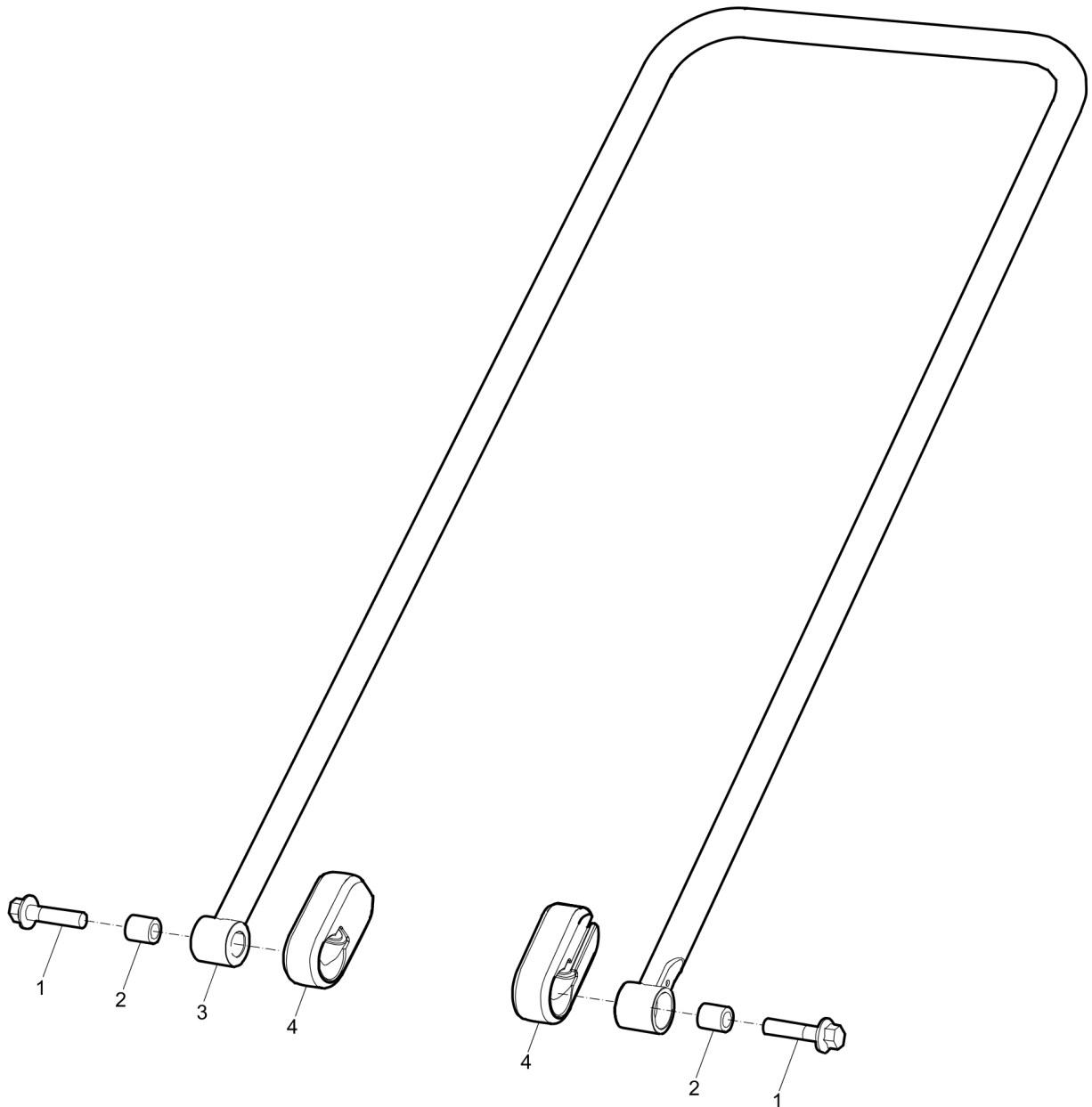


Refer to Parts Online for the most up to date information. The printed information might be outdated.

Wed Oct 15 05:52:31 MDT 2014

Item	Part No.	Name	Qty	L
1	3382 0124 91	Belt guard, inner	1	
2	4700 3933 25	Belt guard, outer	1	
3	-	Screw, M8 x 25 mm 8.8 A2K	3	
4	-	Nut, M8 x 1.25 mm A2K	1	
5	-	Screw, M8 x 30 mm 8.8 A2K	3	
6	4812 0703 68	Screw	1	
7	4812 0704 31	Lock spring	1	
8	4812 0703 64	Washer	3	

Spare parts list Handle

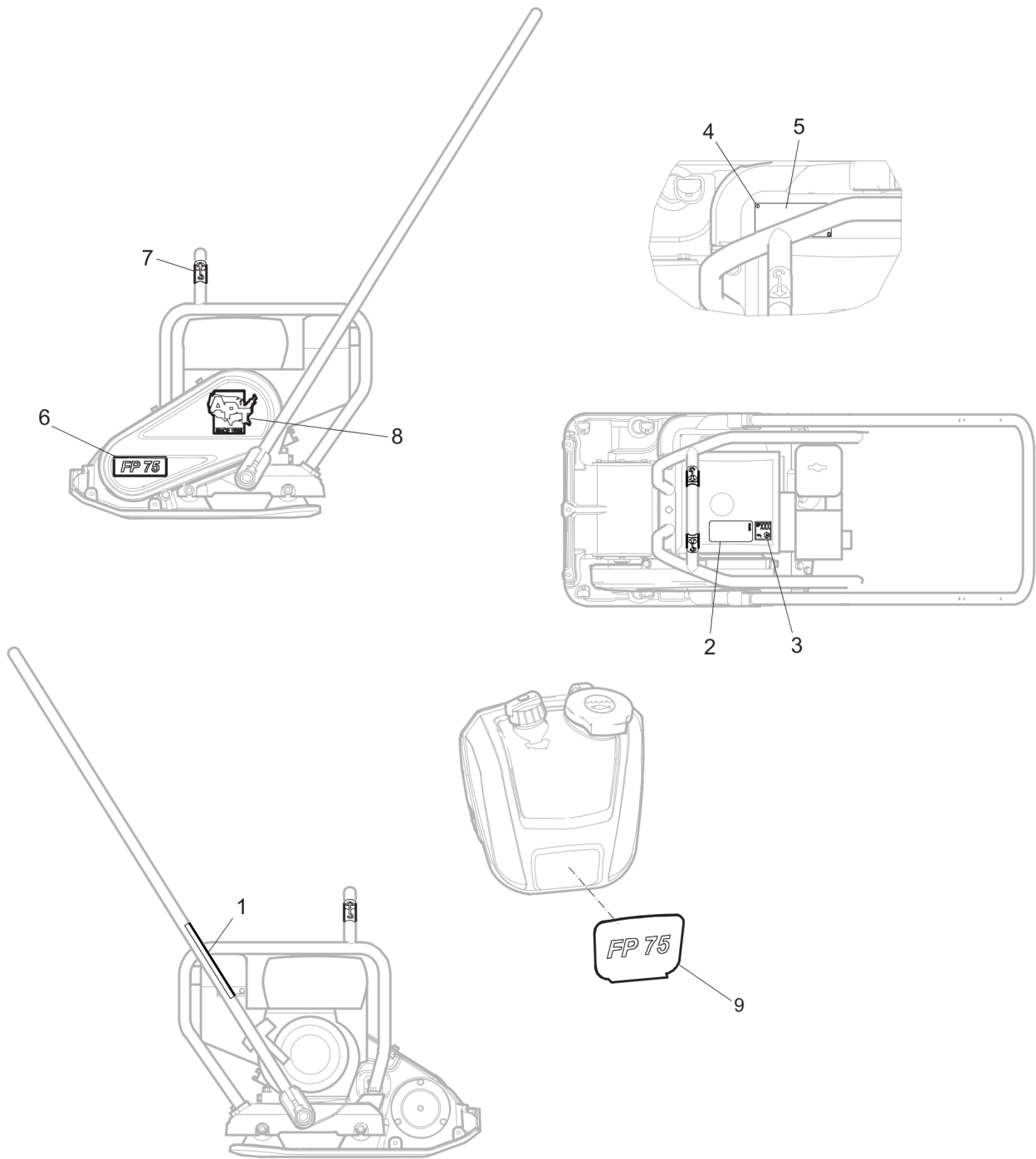


Refer to Parts Online for the most up to date information. The printed information might be outdated.

Wed Oct 15 05:52:32 MDT 2014

Item	Part No.	Name	Qty	L
1	-	Screw, M12 x 50 mm 8.8 A3K	2	
2	4700391821	Sleeve bearing	2	
3	3382012684	Handle	1	
4	4700391822	Shock absorber	2	

Spare parts list Labels



Item	Part No.	Name	Qty	L
1	4700394704	Label, start instruction	1	
2	4700394708	Instruction label	1	
3	4700791290	Noise level label	1	
4	-	Drive screw	4	
5	-	Data plate	1	
6	3382012651	Product label, "FP 75"	1	
7	4700357587	Label, lift point	2	
8	3382012639	Product label, "APT"	1	
9	3382012652	Product label, "FP 75"	1	

Kits One year service kit, Honda

**NO DRAWING
AVAILABLE
FOR THIS BOM**

Item	Part No.	Name	Qty	L
1	3382100001	One year service kit	1	
.1	4700239323	Air filter, cpl	5	
.2	4700238303	Gasket	1	
.3	4700395658	V-belt	1	
.4	4700239374	Starter rope	1	
.5	4700924842	Spark plug	1	
.6	4700238301	Gasket	1	

Kits Shock absorber repair kit

**NO DRAWING
AVAILABLE
FOR THIS BOM**

Item	Part No.	Name	Qty	L
1	3382100006	Shock absorber repair kit	1	
-	4700282373	Shock absorber	4	A
-	4700792725	Square taper washer	4	B
.Not Shown	-	Nut, M10 A3K, See section "Ground plate installation".	8	
-	4700391822	Shock absorber	2	C
.Not Shown	-	Screw, M12 x 50 mm 8.8 A3K , See section "Handle, standard".	2	

Comments for Page: Shock absorber repair kit

(L)OCAL REMARKS

A | For ground plate

See section "Ground plate installation".

B | See section "Ground plate installation".

C | For handle

See section "Handle, standard".

Kits Eccentric element repair kit

**NO DRAWING
AVAILABLE
FOR THIS BOM**

Item	Part No.	Name	Qty	L
1	3382100004	Eccentric element repair kit	1	
.Not Shown	-	Screw, M8 x 25 mm 8.8 A2K, See section "Ground plate installation".	1	
.Not Shown	-	Washer, 8.4 x 22 x 3 mm, 0.33 x 0.87 x 0.12 in. HV300, See section "Ground plate installation".	1	
-	4700163105	Lip-type oil seal	1	A
.Not Shown	-	Screw, M6 x 16 mm 8.8 A2K, See section "Ground plate installation".	6	
-	4700792711	Ball bearing	2	B

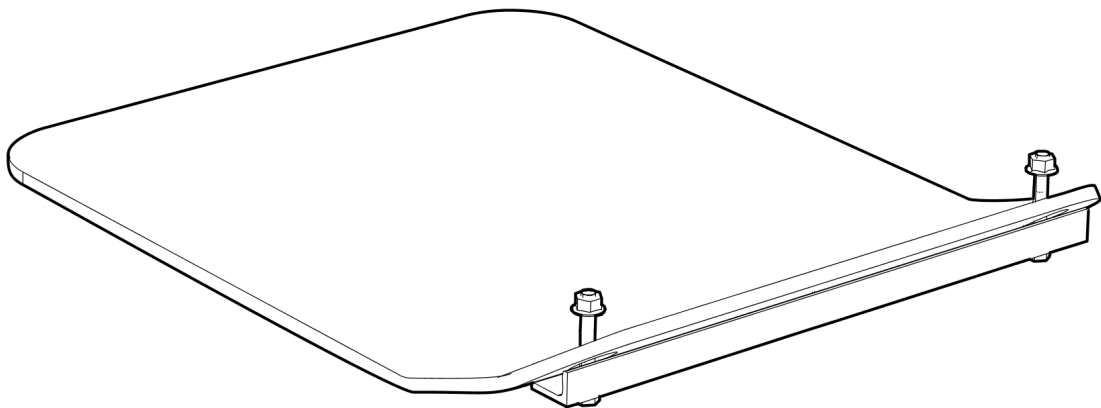
Comments for Page: Eccentric element repair kit

(L)OCAL REMARKS

A | See section "Ground plate installation".

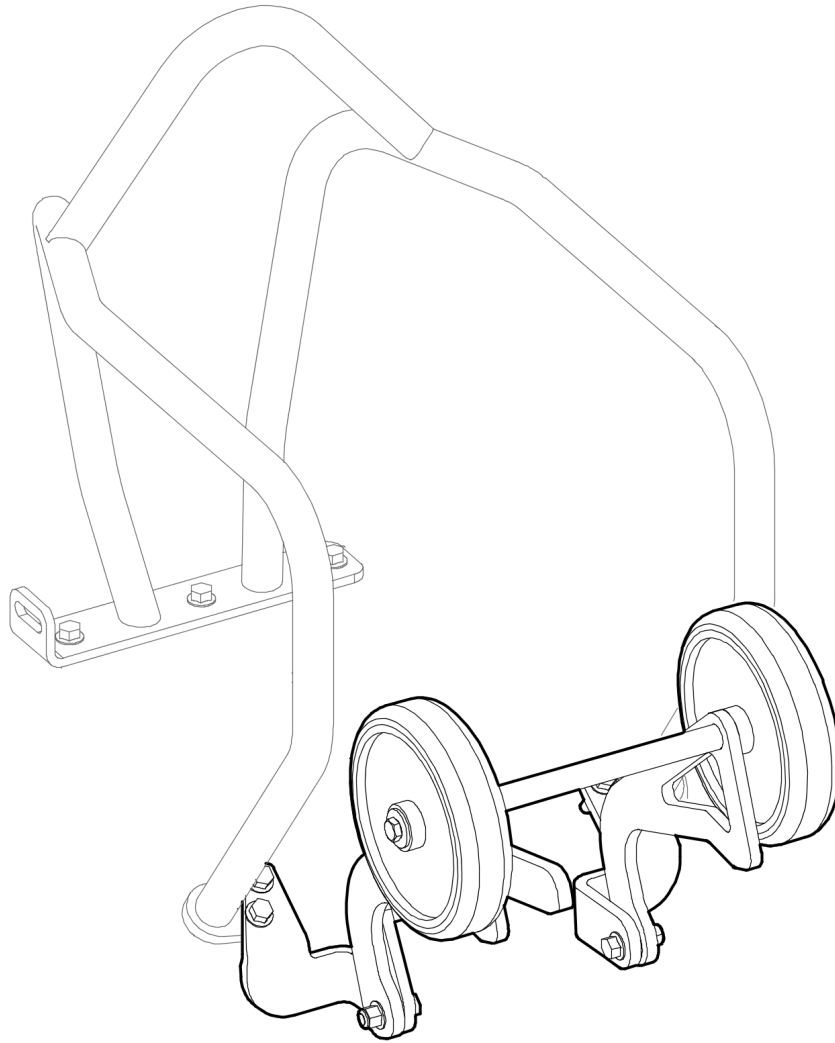
B | See section "Ground plate installation".

Kits Block paving plate kit 420 mm (16.5 in.)



Item	Part No.	Name	Qty	L
1	4812070171	Block paving plate kit	1	
.Not Shown	-	Polyurethane plate, 420 mm, 16.5 in.	1	
.Not Shown	-	Bracket	1	
.Not Shown	-	Nut, M8 x 1.25 mm A2K	2	
.Not Shown	-	Washer, 8.4 x 16 x 1.5 mm, 0.33 x 0.63 x 0.06 in. 300 HV	2	
.Not Shown	-	Screw, M8 x 75 mm 8.8 A2K	2	

Kits Transport device kit



Item	Part No.	Name	Qty	L
1	3382100178	Transport device kit	1	
.Not Shown	-	Wheel bracket	1	A
.Not Shown	-	Wheel bracket	1	B
.Not Shown	-	Washer, 8.4 x 25 x 2 mm, 0.33 x 0.98 x 0.08 in.	4	
.Not Shown	-	Wheel fork	1	
.Not Shown	-	Screw, M8 x 30 mm 8.8 A2K	2	
.Not Shown	-	Nut, M8 A2K	2	
.Not Shown	-	Wheel	2	
.Not Shown	-	Screw, M8 x 12 mm 8.8 A2K	2	
.Not Shown	-	Shock absorber	1	
.Not Shown	-	Hook	1	
.Not Shown	-	Nut, M10	1	
.Not Shown	-	Washer, 10.5 x 22 x 2 mm, 0.41 x 0.87 x 0.08 in.	1	
.Not Shown	-	Screw, M10 x 20 mm 8.8 FZB	1	
.Not Shown	-	Screw, M8 x 25 mm 8.8 A2K	4	
.Not Shown	-	Screw, M8 x 35 mm 8.8 A2K	4	

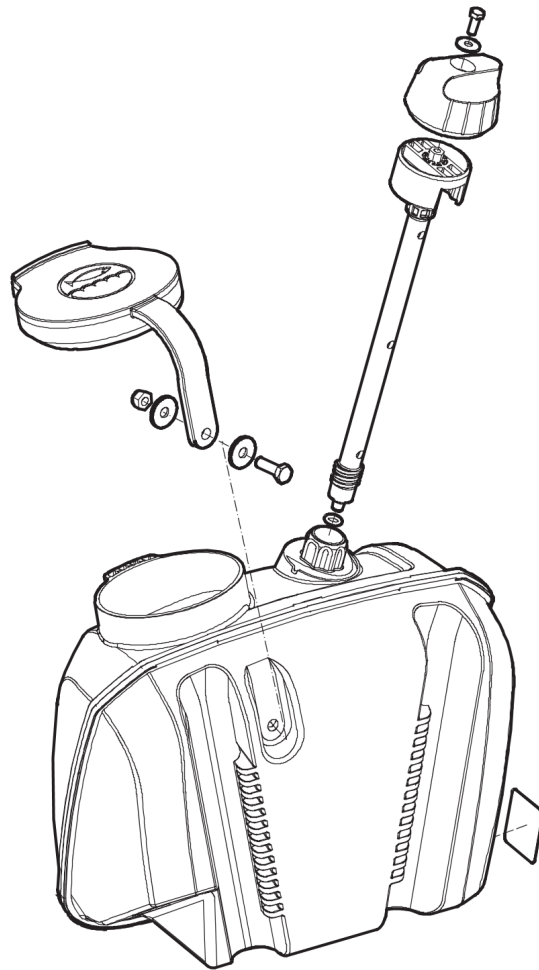
Comments for Page: Transport device kit

(L)OCAL REMARKS

A | Left

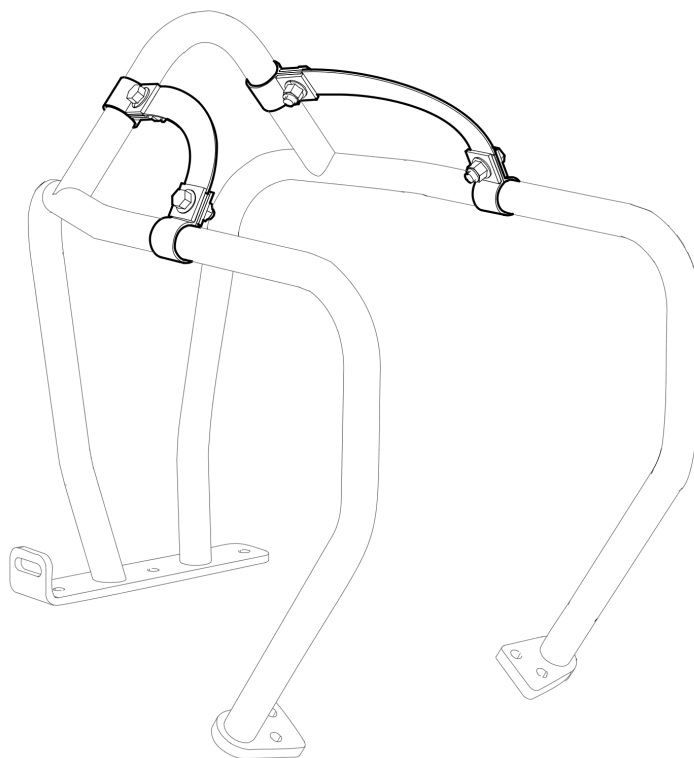
B | Right

Kits Sprinkler system kit



Item	Part No.	Name	Qty	L
1	3382010861	Sprinkler system kit	1	
.Not Shown	-	Water tank	1	
.Not Shown	-	Rod	1	
.Not Shown	-	Handle	1	
.Not Shown	-	Washer, 8.4 x 25 x 2 mm, 0.33 x 0.98 x 0.08 in.	2	
.Not Shown	-	Screw, M8 x 25 mm 8.8 A2K	1	
.Not Shown	-	Nut, M8 -8 DIN985	1	
.Not Shown	-	Washer, 6.4 x 18 x 1.6 mm, 0.25 x 0.71 x 0.06 in.	1	
.Not Shown	-	Screw, M6 x 16 mm 8.8 A2K	1	
.Not Shown	-	Cap	1	
.Not Shown	-	Label	1	
.Not Shown	-	O-ring, 8 x 3 mm, 0.31 x 0.12 in. (70 shore)	1	
.Not Shown	-	Label	1	

Kits Fork lifting device kit



Item	Part No.	Name	Qty	L
1	4812070173	Fork lifting device kit	1	
.Not Shown	-	Strap	1	
.Not Shown	-	Screw	4	
.Not Shown	-	Square washer, 8.4 x 26 x 4 mm, 0.33 x 1.02 x 0.16 in. 300 HV	8	
.Not Shown	-	Nut, M8 x 1.25 mm A2K	8	



Any unauthorized use or copying of the contents or any part thereof is prohibited. This applies in particular to trademarks, model denominations, part numbers, and drawings.