



# American Pneumatic Tool

9949 Tabor Place, Santa Fe Springs, California, CA 90670, U.S.A.

## MODEL 260 SERIES CHIPPING HAMMERS



The APT Chipping Hammers are used for work such as scaling, chiseling, removing concrete build-up from the inside of concrete mixers, light concrete demolition, cement finishing and form stripping.

### FEATURES

- New patented Ball Valve design (Pat. # 8,276,682 B2) - more forgiving of dirt and debris, easier to maintain, made from corrosion resistant material
- Ball-type throttle valve - less complicated, makes teasing the throttle easier
- Drop forged steel handle and collar
- Deep case hardened alloy steel cylinder
- Replaceable nose bushing
- 2 - bolt design for easier field maintenance
- Adjustable exhaust deflector
- Available in 3" and 4" strokes
- Tools come standard with:  
Standard oval collar retainer (Part # 7022)  
Locking Spring (Part # 1941)  
6 ft Whip hose assembly (Part # 9266)
- Optional quick change retainer systems available are:  
# 5550 Ball - type Retainer with Locking Spring  
# 18290 Ball - type, Bolt-on Retainer

### SPECIFICATIONS

Part #	18667	18670	18668	18671
Nose Bushing	.680 Round	.580 Hex	.680 Round	.580 Hex
Bore Diameter(inches)	1-1/8"		1-1/8"	
Stroke (inches)	3"		4"	
Blows per Minute	1650		1375	
CFM @ 90 psi	33 - 35		34 - 36	
Weight (lbs)	14		15	
Length (inches)	14-9/16"		15-9/16"	
Air Inlet Size	1/2" NPT FEMALE			

For assistance in any sales, technical, maintenance or repair questions, please call APT @  
Phone (800) 532-7402 or (562) 204-1555 • Fax (800) 715-6502 or (562) 204-1773

[www.apr-tools.com](http://www.apr-tools.com) • e-mail [info@apr-tools.com](mailto:info@apr-tools.com)

TDS-1058 Rev B

© 2011 AMERICAN PNEUMATIC TOOLS, INC.

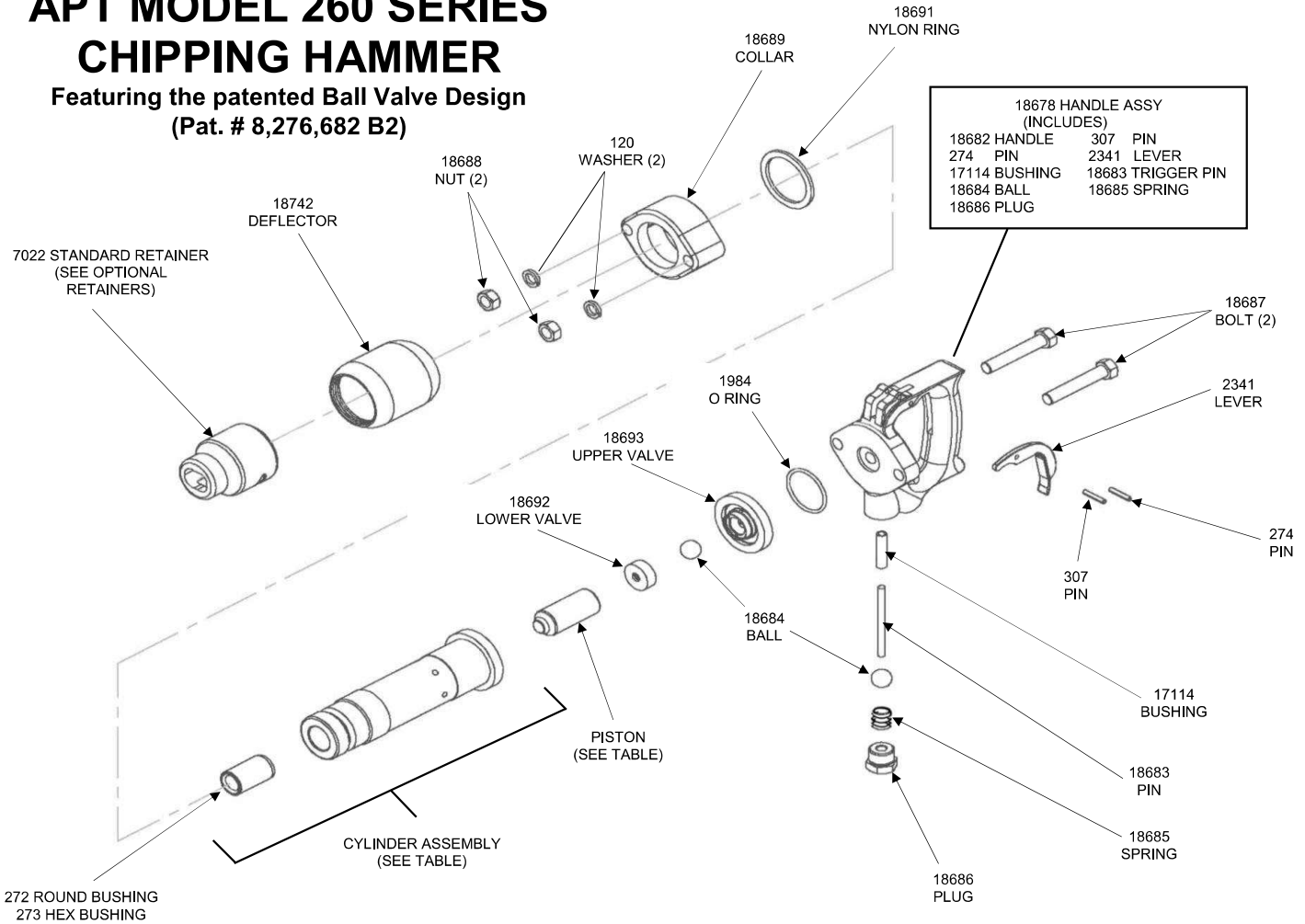


# American Pneumatic Tool

9949 Tabor Place, Santa Fe Springs, California, CA 90670, U.S.A.

## APT MODEL 260 SERIES CHIPPING HAMMER

Featuring the patented Ball Valve Design  
(Pat. # 8,276,682 B2)



2 BOLT CHIPPING HAMMER		
MODEL	CYLINDER ASSEMBLY	PISTON
M263, 3" STROKE, ROUND BUSHING	18673	1534
M263, 3" STROKE, HEX BUSHING	18676	1534
M264, 4" STROKE, ROUND BUSHING	18674	703
M264, 4" STROKE, HEX BUSHING	18677	703

For assistance in any sales, technical, maintenance or repair questions, please call APT @  
Phone (800) 532-7402 or (562) 204-1555 • Fax (800) 715-6502 or (562) 204-1773

[www.apr-tools.com](http://www.apr-tools.com) • e-mail [info@apr-tools.com](mailto:info@apr-tools.com)

© 2011 AMERICAN PNEUMATIC TOOLS, INC.

TDS-1059 Rev B