



# American Pneumatic Tool

9949 Tabor Place, Santa Fe Springs, California, CA 90670, U.S.A.

## MODEL 117 PAVING BREAKER

PART # 5199 (7/8" HEX x 3-1/4")

PART # 5200 (1" HEX x 4-1/4")



This 30 lb class Paving Breaker is an ideal tool for light to medium demolition work as well as for use in confined areas. This lightweight tool can break up concrete floors, or can be used in any other type of general demolition work.

### SPECIFICATIONS

Part #	5199	5200
Chuck Size	7/8" Hex x 3-1/4"	1" Hex x 4-1/4"
Bore Diameter (inches)	1-3/4"	
Stroke (inches)	3-3/8"	
Blows per Minute	1850	
CFM @ 90 psi	34 - 38	
Weight (lbs)	33	
Length (inches)	21-3/4"	
Air Inlet Size	3/8" MALE NPT	

### FEATURES

- New! Patented Automatic Ball Valve (Pat. # 8,276,682 B2)
- Drop forged, steel handle
- Built in automatic oiler
- Replaceable chuck bushing
- Rubber handle grips
- Latch type retainer
- Swivel hose connection
- Four bolt back head
- Noise dampening muffler available
- Fitted with Universal hose connector

For assistance in any sales, technical, maintenance or repair questions, please call APT @  
Phone: (800) 532-7402 or (562) 204-1555 • Fax: (800) 715-6502 or (562) 204-1773

Website: [www.apr-tools.com](http://www.apr-tools.com) • e-mail: [info@apr-tools.com](mailto:info@apr-tools.com)

TDS-1008 Rev B



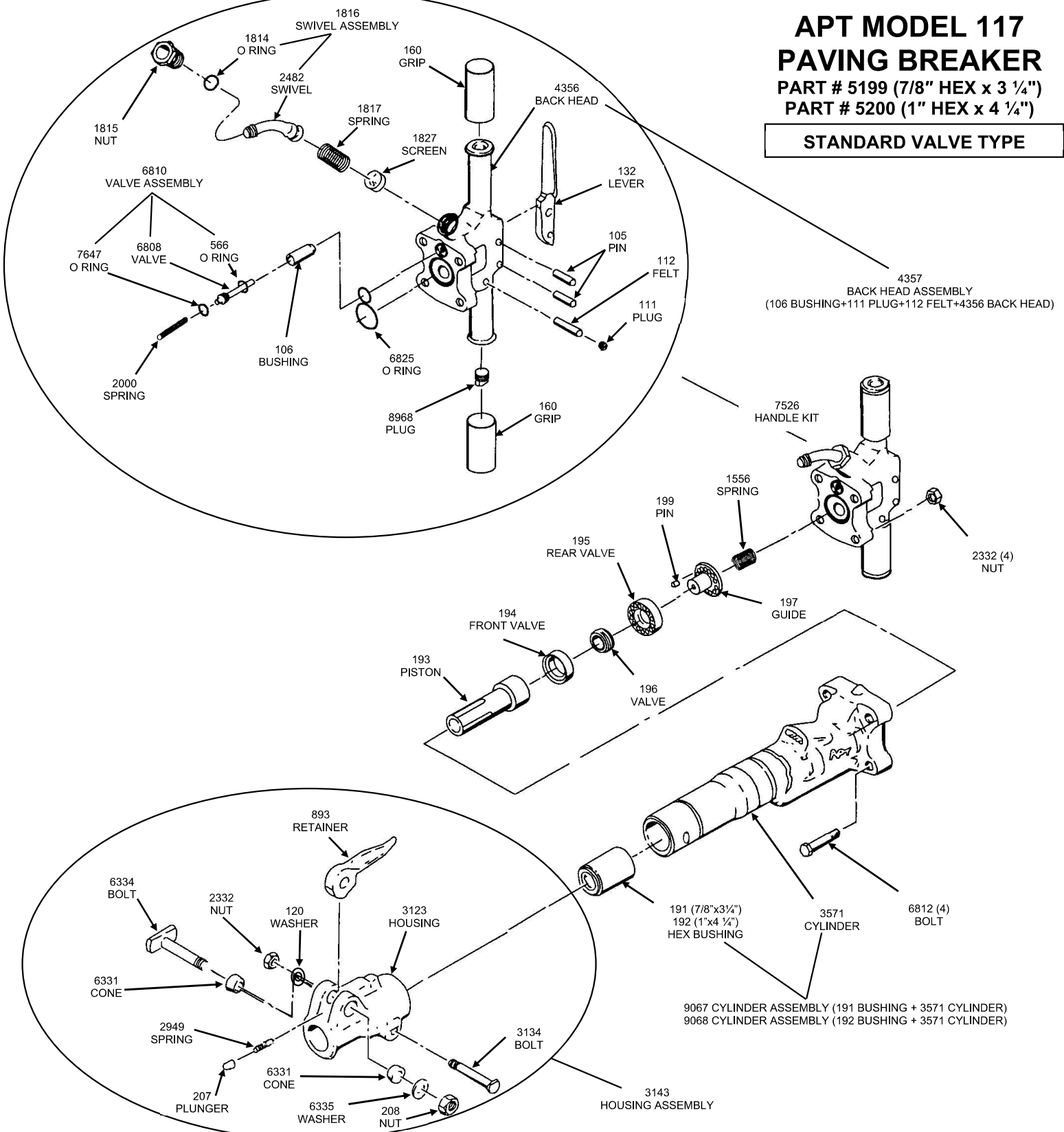
# American Pneumatic Tool

9949 Tabor Place, Santa Fe Springs, California, CA 90670, U.S.A.

## APT MODEL 117 PAVING BREAKER

PART # 5199 (7/8" HEX x 3 1/4")  
PART # 5200 (1" HEX x 4 1/4")

**STANDARD VALVE TYPE**



For assistance in any sales, technical, maintenance or repair questions, please call APT @  
Phone: (800) 532-7402 or (562) 204-1555 • Fax: (800) 715-6502 or (562) 204-1773

Website: [www.apptools.com](http://www.apptools.com) • e-mail: [info@apptools.com](mailto:info@apptools.com)

TDS-1009 Rev A

© 2011 AMERICAN PNEUMATIC TOOLS, INC.



# American Pneumatic Tool

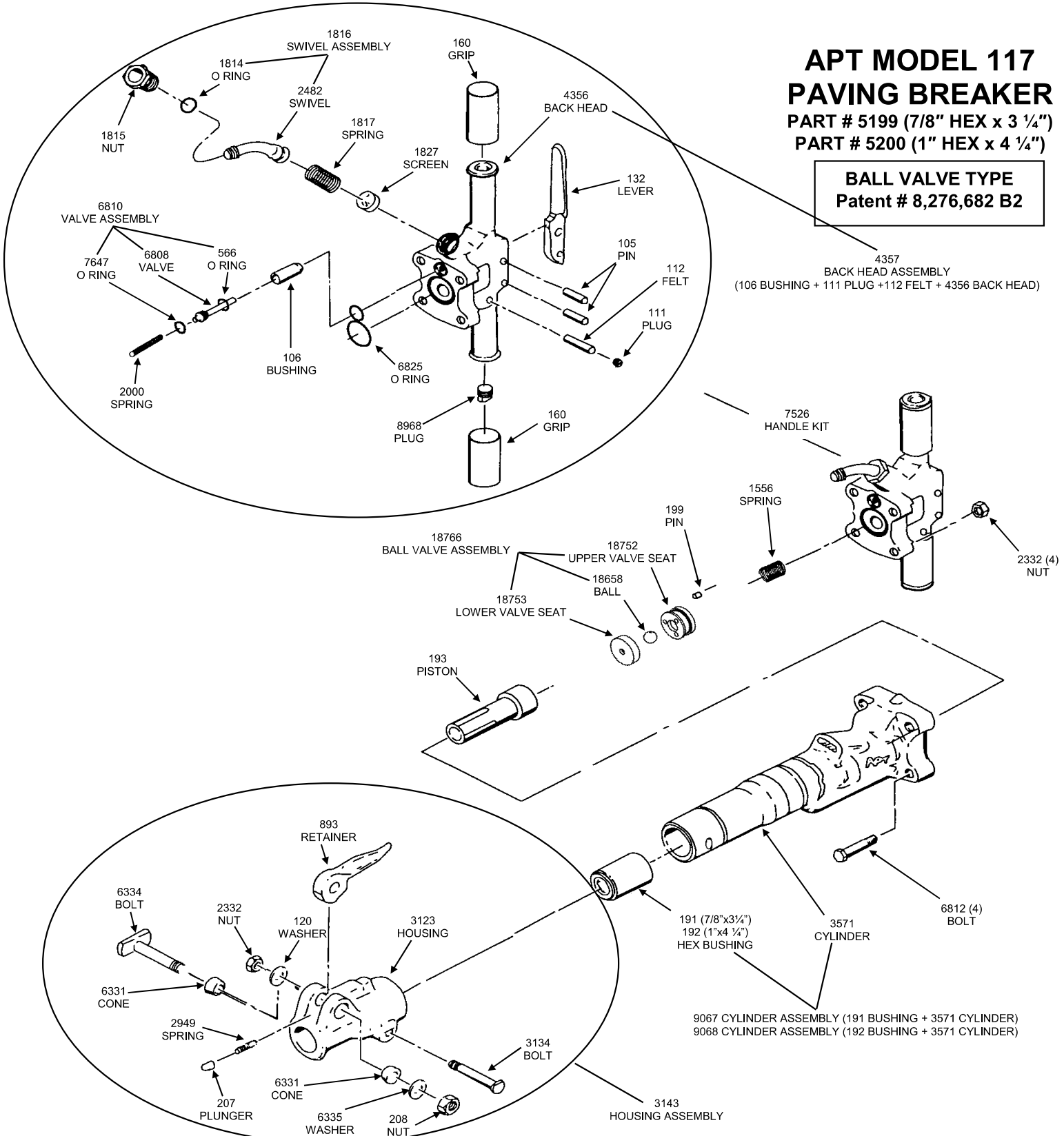
9949 Tabor Place, Santa Fe Springs, California, CA 90670, U.S.A.

## APT MODEL 117 PAVING BREAKER

PART # 5199 (7/8" HEX x 3 1/4")

PART # 5200 (1" HEX x 4 1/4")

**BALL VALVE TYPE**  
Patent # 8,276,682 B2



For assistance in any sales, technical, maintenance or repair questions, please call APT @  
Phone (800) 532-7402 or (562) 204-1555 • Fax (800) 715-6502 or (562) 204-1773

[www.apr-tools.com](http://www.apr-tools.com) • e-mail [info@apr-tools.com](mailto:info@apr-tools.com)

© 2011 AMERICAN PNEUMATIC TOOLS, INC.

TDS-1106 Rev B