



# American Pneumatic Tool

9949 Tabor Place, Santa Fe Springs, California, CA 90670, U.S.A.

## MODEL 650 SERIES CHIPPING HAMMERS



The APT Chipping Hammers are used for work such as scaling, chiseling, removing concrete build-up from the inside of concrete mixers, light concrete demolition, cement finishing and form stripping.

### FEATURES

- Flapper valve design allows dirt to pass without stopping the tool
- Traditional pistol grip handle made from drop forged steel
- Deep case hardened alloy steel cylinder
- Replaceable nose bushing
- Adjustable exhaust deflector
- Available in 2", 3" and 4" strokes
- Tools come standard with:  
Standard oval collar retainer (Part # 7022)  
Locking Spring (Part # 1941)  
6 ft Whip hose assembly (Part # 9266)
- Optional quick change retainer systems available are:  
# 5550 Ball-type Retainer with lock spring  
# 18290 Bolt-on type

### SPECIFICATIONS

Part #	5298	5299	5300	5301	5302	5303
Nose Bushing	.680 Round	.580 Hex	.680 Round	.580 Hex	.680 Round	.580 Hex
Bore Diameter (inches)	1-1/8"		1-1/8"		1-1/8"	
Stroke (inches)	2"		3"		4"	
Blows per Minute	2100		1650		1375	
CFM @ 90 psi	32 - 34		33 - 35		34 - 36	
Weight (lbs)	12		14		16	
Length (inches)	13-1/4"		15-1/4"		16"	
Air Inlet Size	1/2" NPT FEMALE					

For assistance in any sales, technical, maintenance or repair questions, please call APT @  
Phone (800) 532-7402 or (562) 204-1555 • Fax (800) 715-6502 or (562) 204-1773

[www.apr-tools.com](http://www.apr-tools.com) • e-mail [info@apr-tools.com](mailto:info@apr-tools.com)

TDS-1060 Rev A

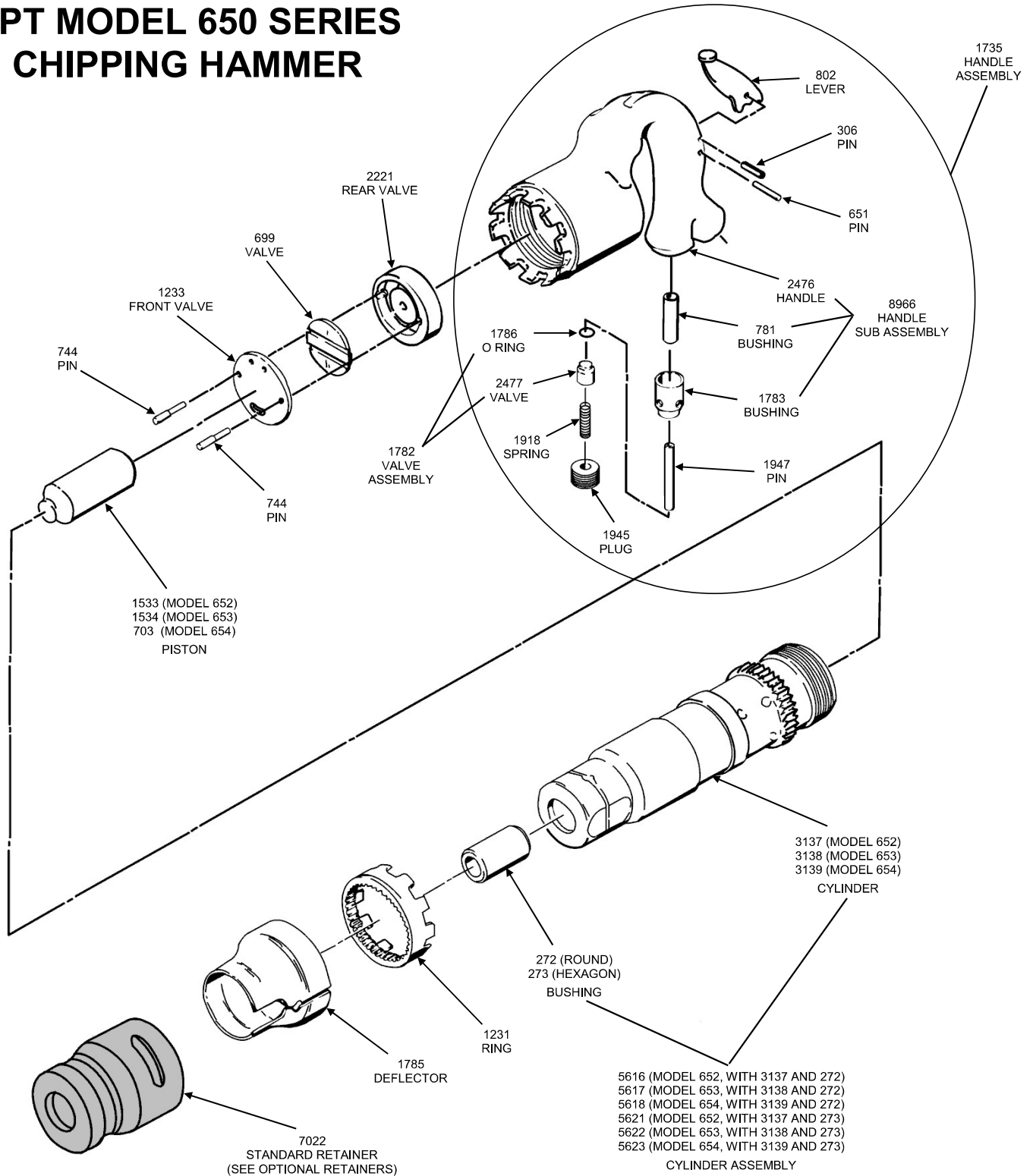
© 2011 AMERICAN PNEUMATIC TOOLS, INC.



# American Pneumatic Tool

9949 Tabor Place, Santa Fe Springs, California, CA 90670, U.S.A.

## APT MODEL 650 SERIES CHIPPING HAMMER



For assistance in any sales, technical, maintenance or repair questions, please call APT @  
Phone: (800) 532-7402 or (562) 204-1555 • Fax: (800) 715-6502 or (562) 204-1773

Website: [www.apr-tools.com](http://www.apr-tools.com) • e-mail: [info@apr-tools.com](mailto:info@apr-tools.com)

TDS-1061 Rev B

© 2011 AMERICAN PNEUMATIC TOOLS, INC.