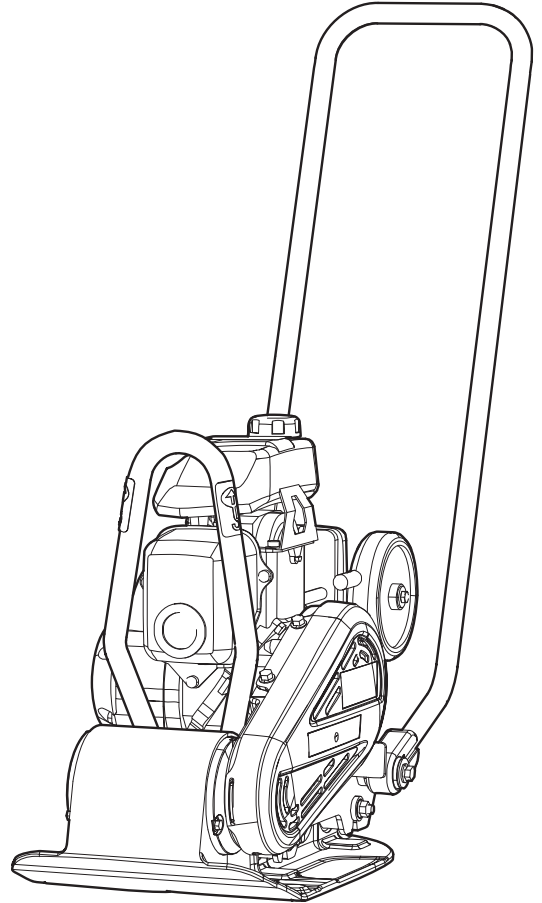


## Spare parts list

### Forward plate

	Valid from serial number
FP 60 Honda	BGF000001



## General information

This spare parts list applies to the following:

Part number	Description
3382 0003 30	Forward plate FP 60 Honda 350 mm (13.78 in.)

Use only authorized parts. Any damage or malfunction caused by the use of unauthorized parts is not covered by Warranty or Product Liability. Any unauthorized use or copying of the contents or any part thereof is prohibited. This applies in particular to trademarks, model denominations, part numbers, and drawings.

### Instructions for use

This spare parts list contains no safety regulations and is merely intended to assist in the ordering of spare parts.

For information about operating, servicing, or repairing, the relevant Safety and operating instructions must be consulted at all costs.

Please observe the safety instructions listed in the relevant Safety and operating instructions!

Contents

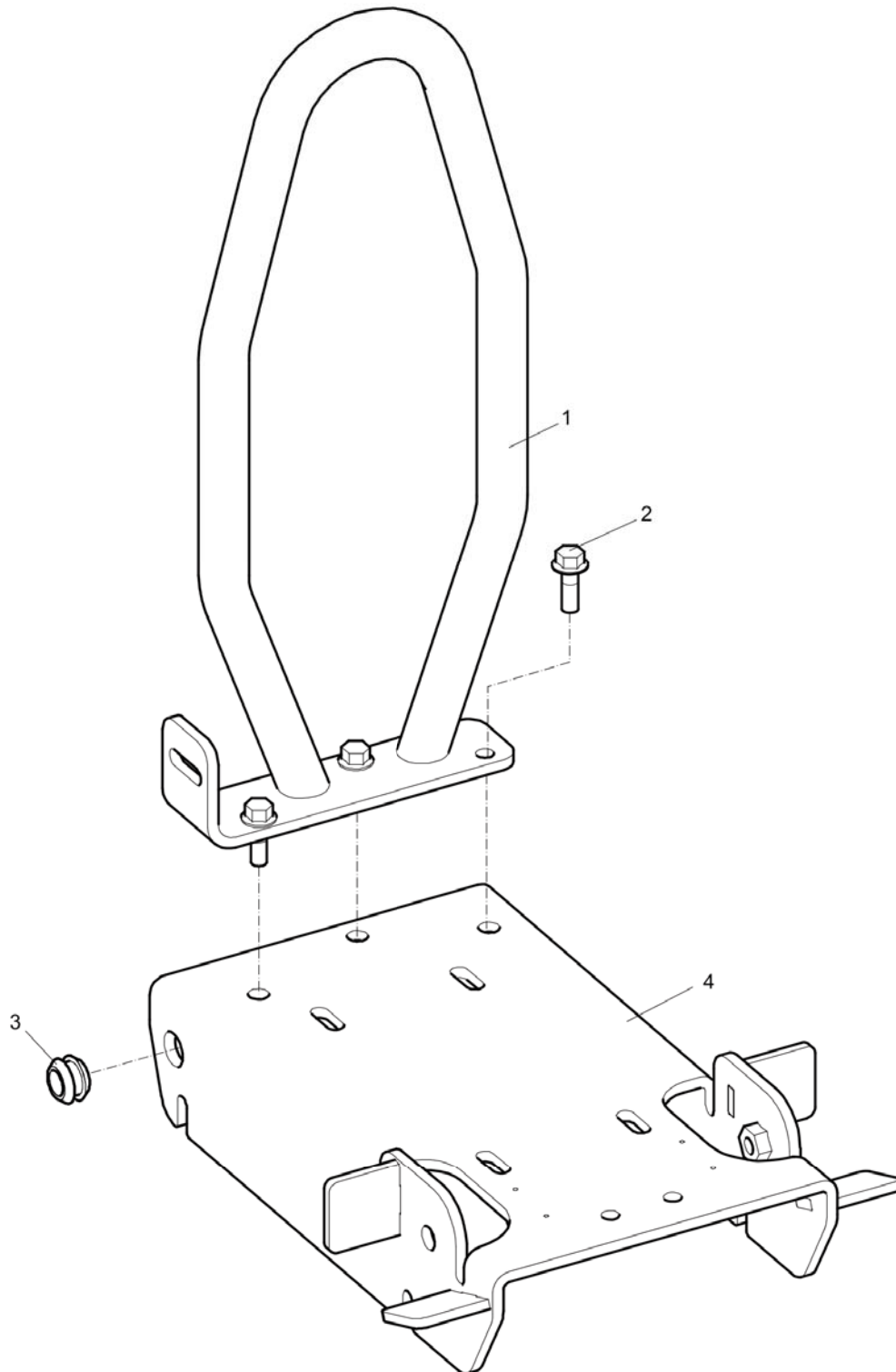
Spare parts list

Engine plate installation ..... 4  
Ground plate installation ..... 6  
Transport device ..... 9  
Engine installation, Honda ..... 12  
Engine, Honda GX 100 SE3 OH ..... 14  
Transmission cover ..... 17  
Handle ..... 20  
Labels ..... 22

Kits

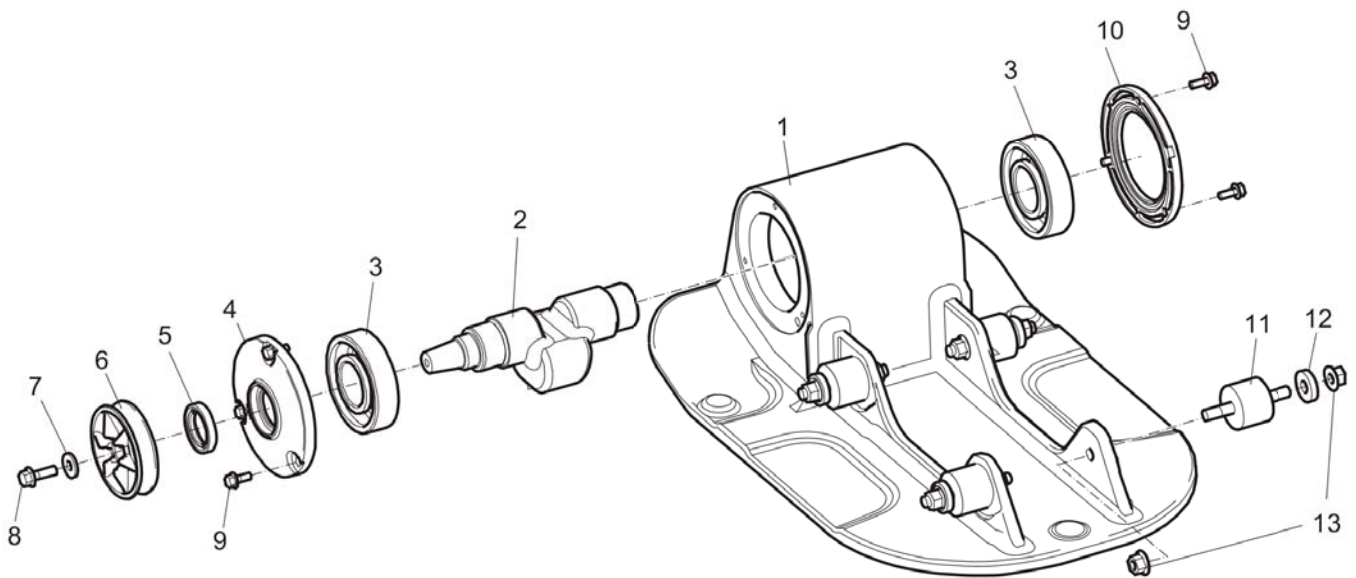
One year service kit ..... 24  
Shock absorber repair kit ..... 26  
Eccentric element repair kit ..... 28  
Transport device kit ..... 30

**Spare parts list** Engine plate installation



Item	Part Number	Name	Qty	L
1	3382012480	Lifting eye	1	
2	-	Screw, M8 x 20 mm 8.8	3	
3	4700909107	Grommet	2	
4	3382012476	Engine plate	1	

**Spare parts list** Ground plate installation



Item	Part Number	Name	Qty	L
1	3382010147	Ground plate	1	
2	4700391876	Eccentric shaft	1	
3	4700792710	Ball bearing	2	
4	4700396548	Cover	1	
5	4700163105	Lip-type oil seal	1	
6	4700395013	V-belt pulley	1	
7	-	Washer, 8.4 x 22 x 3 mm, 0.33 x 0.87 x 0.12 in.	1	
8	-	Screw, M8 x 25 mm 8.8 A2K	1	
9	-	Screw, M6 x 16 mm 8.8 A2K	6	
10	4700396549	Cover	1	
11	4700792706	Shock absorber	4	
12	-	Washer, 10.5 x 28 x 6 mm, 0.41 x 1.10 x 0.24 in.	4	
13	4700570103	Nut M10	8	

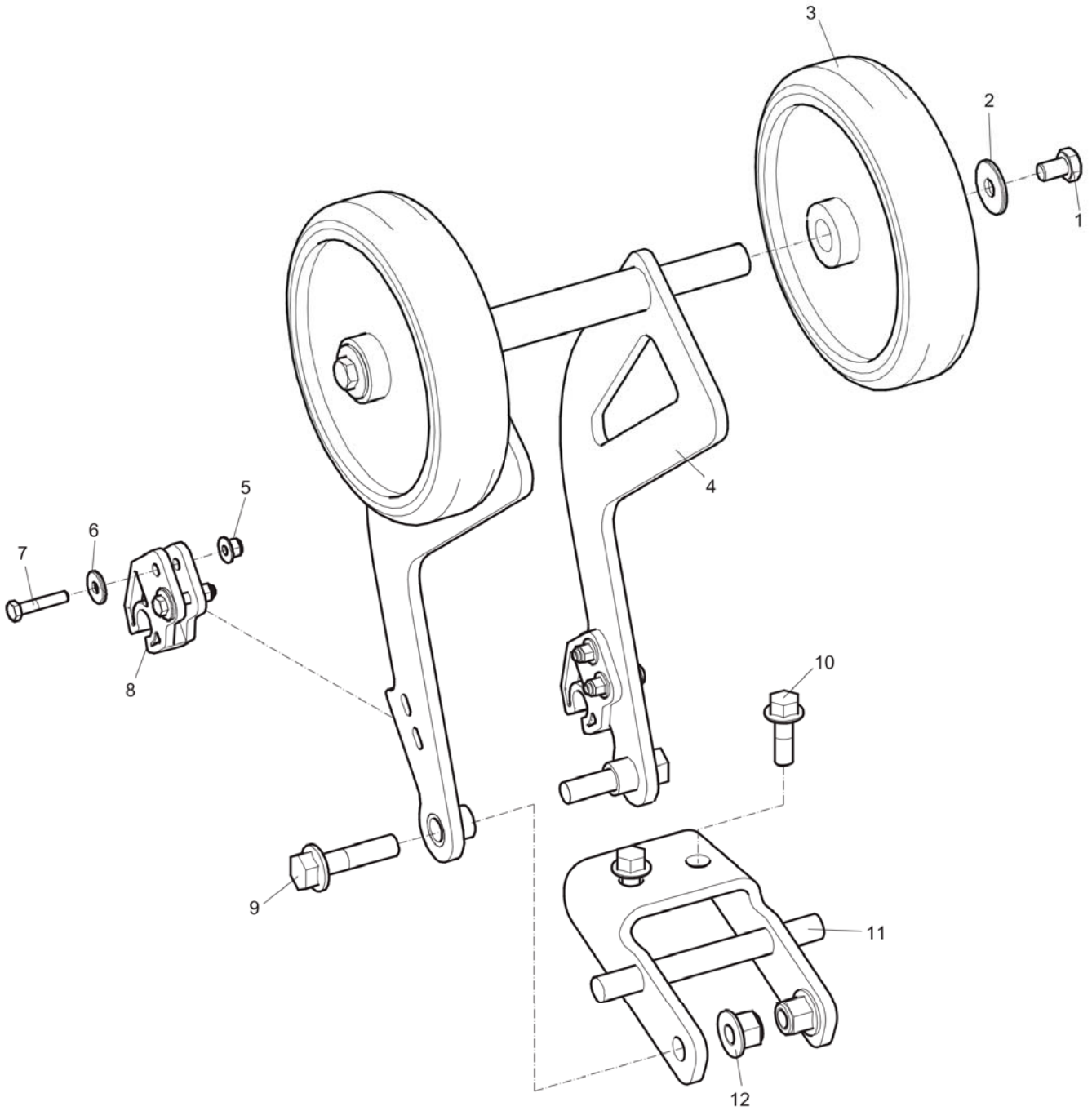
Comments for Page: Ground plate installation

GEOMET is a registered trademark of Nof Metal Coatings North America Inc.



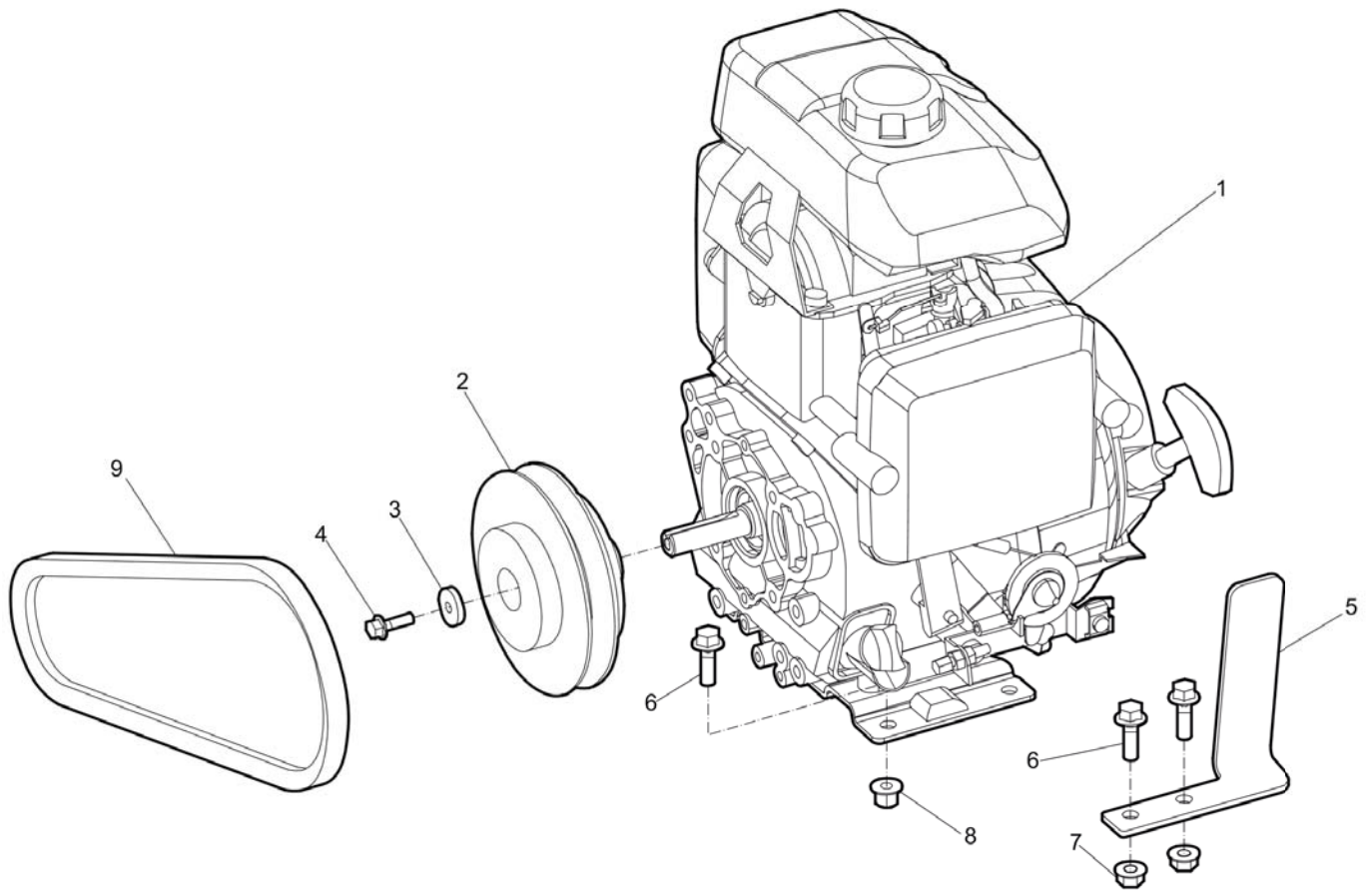


**Spare parts list** Transport device



Item	Part Number	Name	Qty	L
1	-	Screw, M8 x 12 mm 8.8 A2K	2	
2	-	Washer, 8.4 x 25 x 2 mm, 0.33 x 0.98 x 0.08 in.	2	
3	4700383582	Wheel	2	
4	3382010220	Bracket	1	
5	4700902284	Nut M5	4	
6	-	Washer, 8.4 x 25 x 2 mm, 0.33 x 0.98 x 0.08 in.	4	
7	-	Screw, M5 x 25 mm 8.8 A2K	4	
8	-	Clip	2	
9	-	Screw with flange, M10 x 40 mm 8.8 A3K	2	
10	-	Screw, M8 x 25 mm 8.8 A2K	2	
11	3382010219	Bracket	1	
12	-	Nut, M10 x 1.5 mm A3K	2	

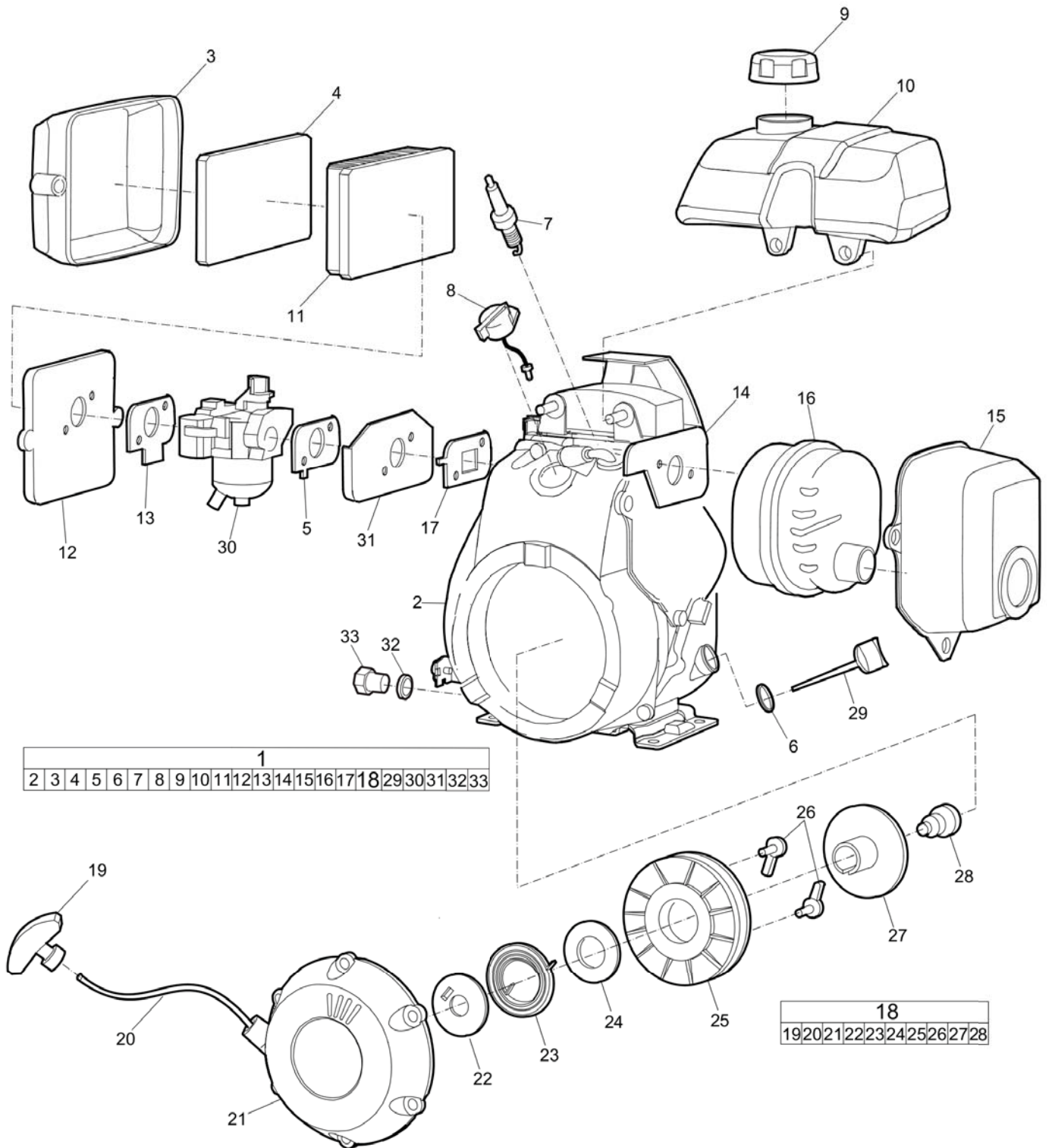
**Spare parts list** Engine installation, Honda



Refer to Parts Online for the most up to date information. The printed information might be outdated.  
Thu May 15 11:23:45 UTC 2014

Item	Part Number	Name	Qty	L
1	4700387990	Engine, Honda GX 100 SE3 OH	1	
2	4700391993	Centrifugal clutch	1	
3	-	Washer, 6.4 x 22 x 4 mm, 0.25 x 0.87 x 0.16 in.	1	
4	-	Screw, M6 x 20 mm 8.8 A2K	1	
5	4700395938	Protective plate	1	
6	-	Screw, M8 x 25 mm 8.8 A2K	6	
7	-	Nut, M8 x 1.25 mm A2K	2	
8	-	Lock nut, M8 x 1.25 mm A2K	4	
9	4700395657	V-belt	1	

**Spare parts list** Engine, Honda GX 100 SE3 OH



Refer to Parts Online for the most up to date information. The printed information might be outdated.  
 Thu May 15 11:23:49 UTC 2014

Item	Part Number	Name	Qty	L
1	4700387990	Engine, Honda GX 100 SE3 OH	1	
.2	--	Engine	1	
.3	4700938975	Air filter cover	1	
.4	4700938933	Outer air filter	1	
.5	4700938285	Gasket	1	
.6	4700938477	Gasket	1	
.7	4700938934	Spark plug	1	
.8	4700940293	Switch	1	
.9	4700939688	Fuel cap	1	
.10	4700939687	Fuel tank	1	
.11	4700938932	Inner air filter	1	
.12	4700939862	Air filter housing	1	
.13	4700940749	Gasket	1	
.14	4700939737	Gasket	1	
.15	3382100137	Cover	1	
.16	4700938971	Silencer	1	
.17	4700945659	Gasket	1	
.18	3382100138	Recoil starter, complete	1	A
..19	4700239371	Handle	1	
..20	4700939690	Starting rope	1	
..21	3382100139	Cover	1	A
..22	3382100140	Plate	1	
..23	4700239375	Spring	1	
..24	3382100141	Washer	1	
..25	3382100142	Reel	1	
..26	4700938481	Ratchet	2	
..27	4700938482	Guide	1	
..28	4700239381	Adjustment screw	1	
.29	4700938977	Oil dip stick	1	
.30	4700939686	Carburettor	1	
.31	4700939859	Insulator	1	
.32	4700238303	Gasket	1	
.33	4700239375	Spring	1	

---

Comments for Page: Engine, Honda GX 100 SE3 OH

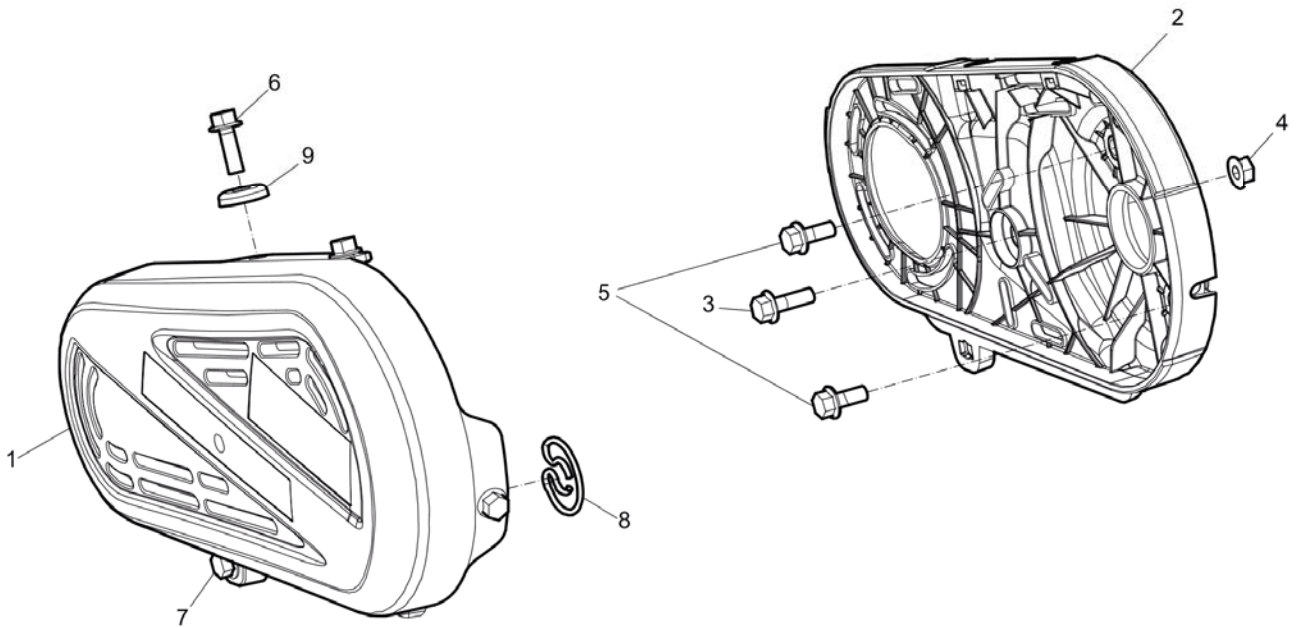
(L)OCAL REMARKS

A | Black



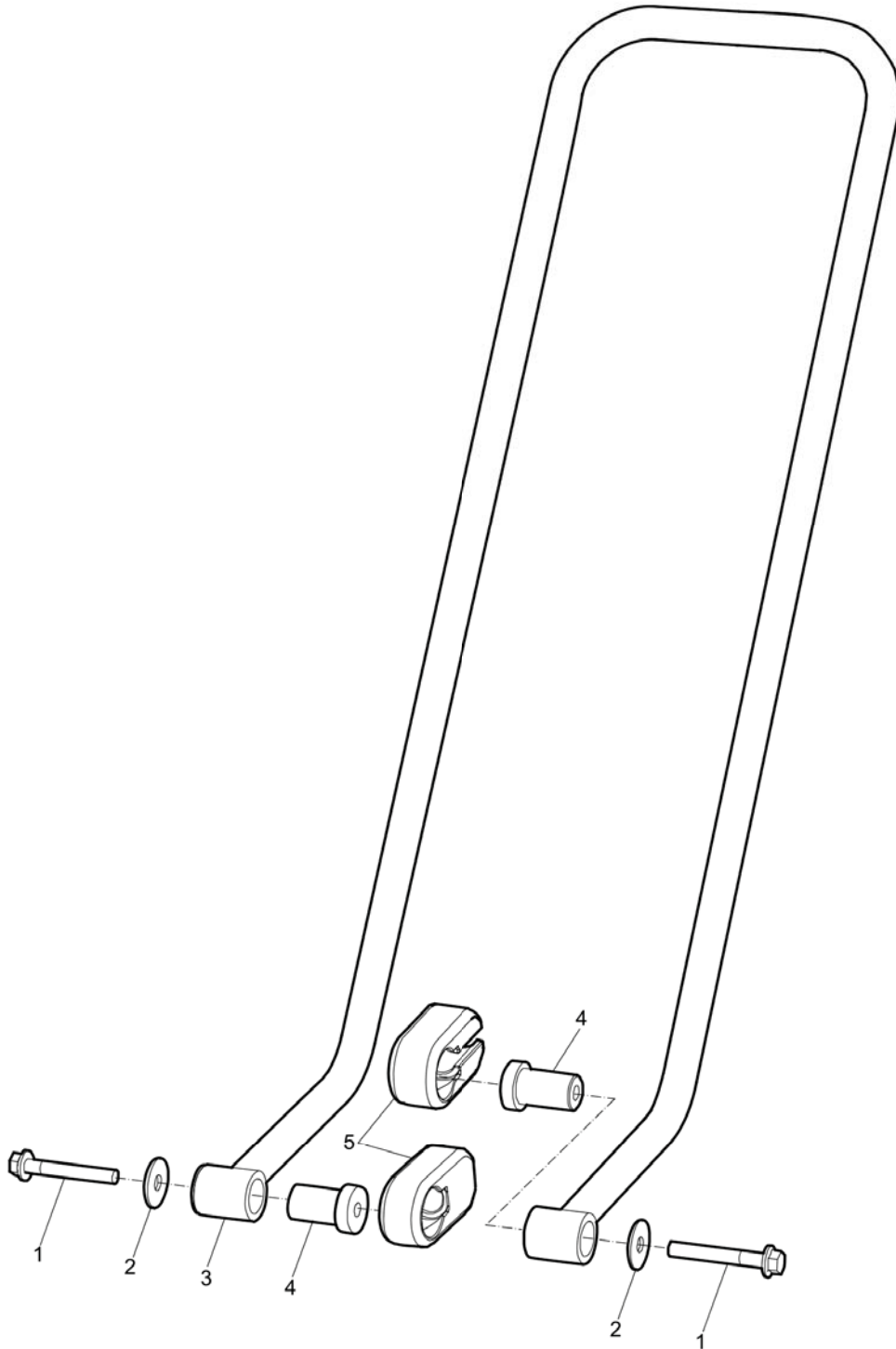


**Spare parts list** Transmission cover



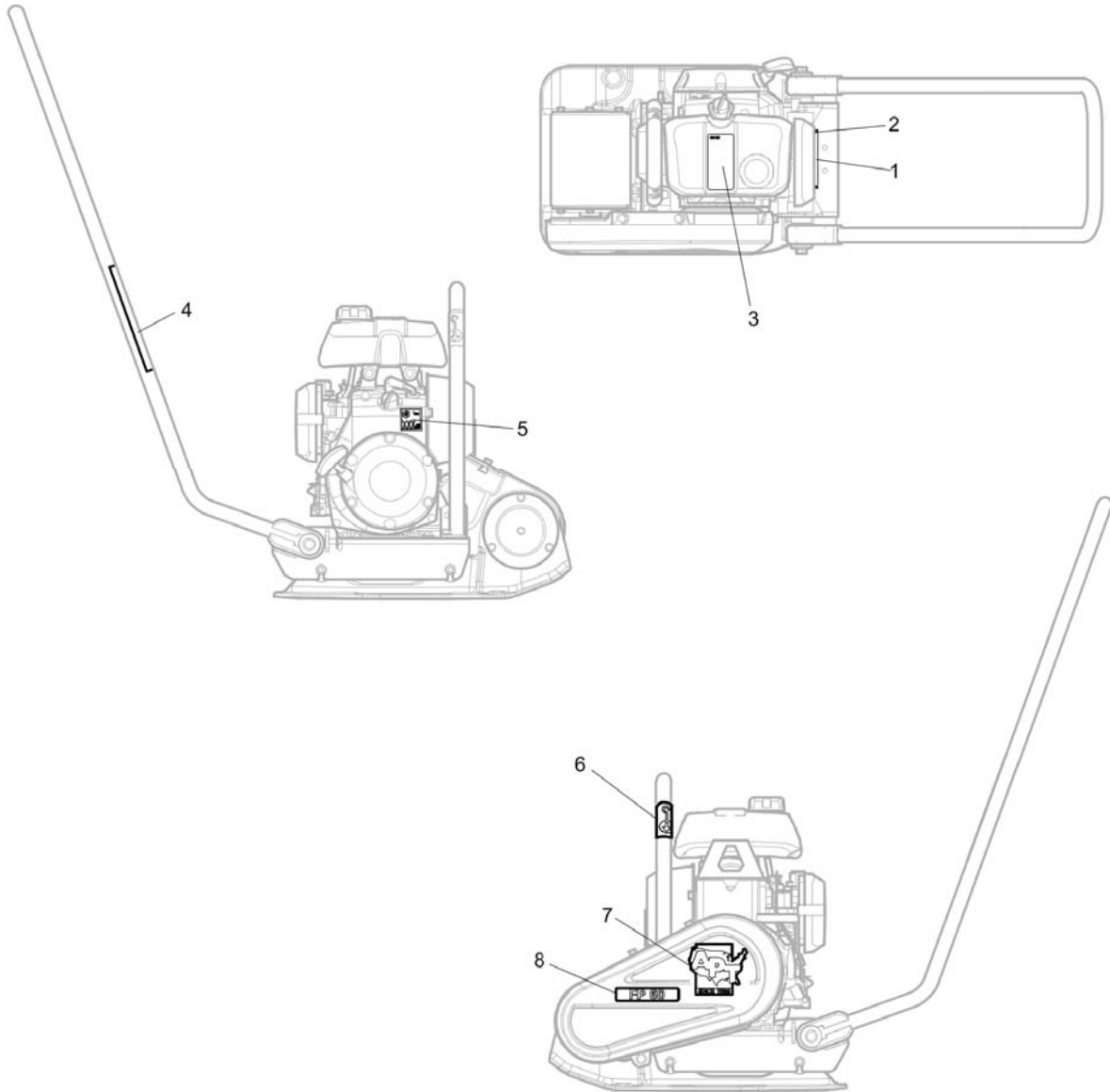
Item	Part Number	Name	Qty	L
1	3382012473	Belt guard, outer	1	
2	4700393966	Belt guard, inner	1	
3	-	Screw, M8 x 25 mm 8.8 A2K	1	
4	-	Nut, M8 x 1.25 mm A2K	1	
5	-	Screw, M8 x 20 mm 8.8 A2K	2	
6	-	Screw, M8 x 30 mm 8.8 A2K	3	
7	4812070368	Screw	1	
8	4812070431	Lock spring	1	
9	4812070364	Washer	3	

**Spare parts list** Handle



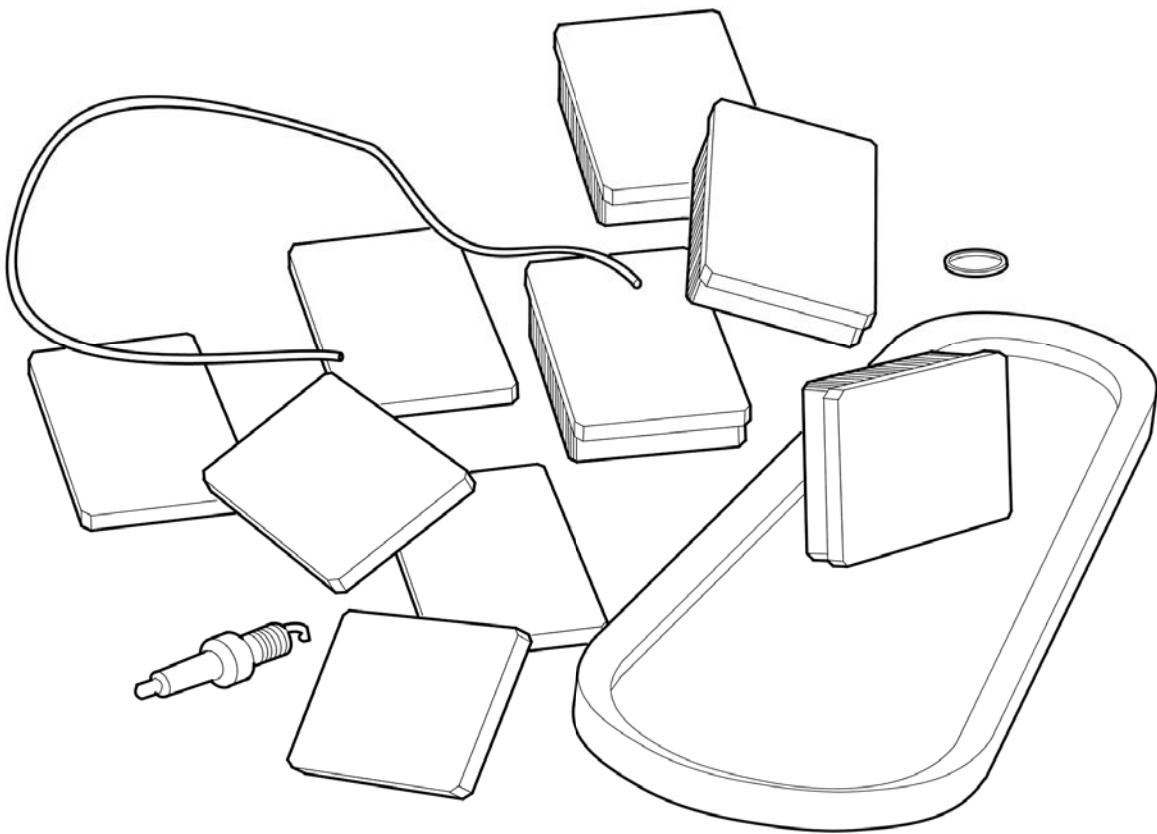
Item	Part Number	Name	Qty	L
1	-	Screw, M10 x 70 mm 8.8 A3K	2	
2	-	Washer, 11 x 35 x 2 mm, 0.43 x 1.37 x 0.08 in.	2	
3	3382012713	Handle	1	
4	4700392084	Sleeve bearing	2	
5	4700391822	Shock absorber	2	

**Spare parts list** Labels



Item	Part Number	Name	Qty	L
1	-	Data plate		
2	-	Drive screw		
3	4700394708	Label, fuel, read instruction, rotating parts and hot surfaces		
4	4700394704	Label, start instruction		
5	4700791288	Noise level label		
6	4700357587	Label lifting point		
7	3382012639	Product label, "APT"		
8	3382012670	Product label, "FP 60"		

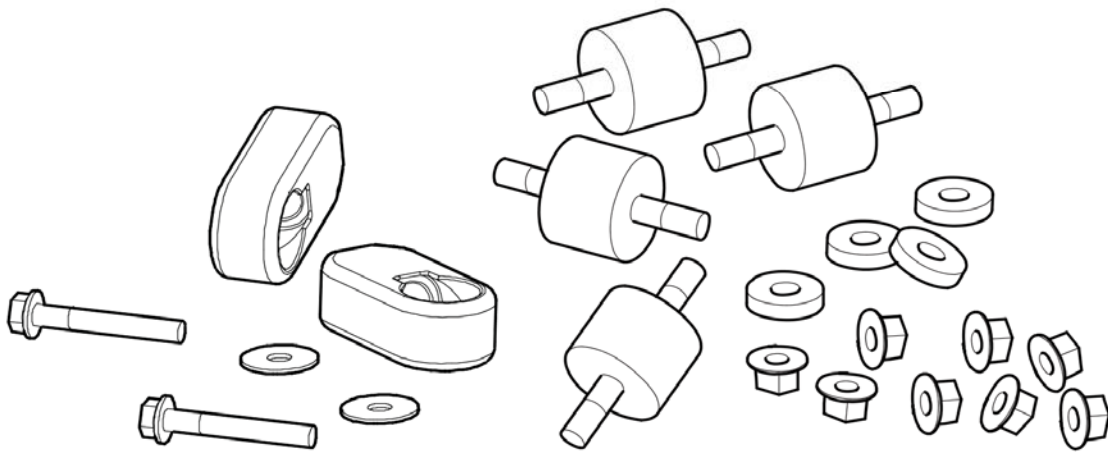
**Kits** One year service kit





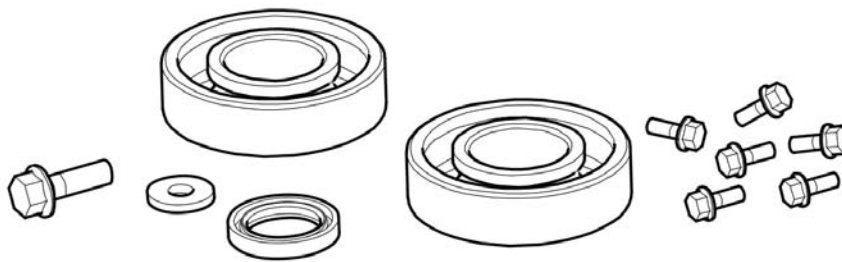
Item	Part Number	Name	Qty	L
1	3382100000	One year service kit	1	
.2	4700938932	Inner air filter	5	
.3	4700938933	Outer air filter	5	
.4	4700938477	Gasket	1	
.5	4700395657	V-belt	1	
.6	4700939690	Starting rope	1	
.7	4700938934	Spark plug	1	

**Kits** Shock absorber repair kit



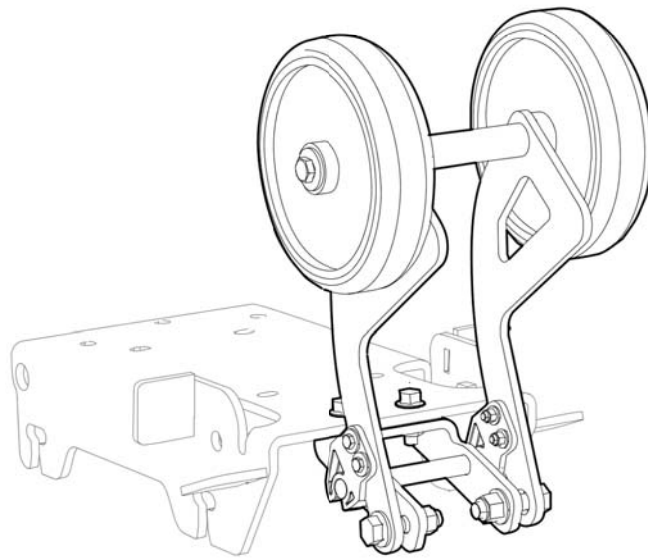
Item	Part Number	Name	Qty	L
1	3382100005	Shock absorber repair kit		
.2	4700792706	Shock absorber		
.3	-	Washer, 10.5 x 28 x 6 mm, 0.41 x 1.10 x 0.24 in. 300 HV		
.4	-	Nut, M10 A3K		
.5	4700391822	Shock absorber		
.6	-	Washer, 11 x 35 x 2 mm, 0.43 x 1.38 x 0.08 mm, 0.43 x 1.38 x 0.08 in.		
.7	-	Screw, M10 x 70 mm 8.8 A3K		

**Kits** Eccentric element repair kit



Item	Part Number	Name	Qty	L
1	3382100003	Eccentric element repair kit	1	
.2	-	Screw, M8 x 25 mm 8.8 A2K	1	
.3	-	Washer, 8.4 x 22 x 3 mm, 0.33 x 0.87 x 0.12 in. HV300	1	
.4	4700163105	Lip-type oil seal	1	
.5	-	Screw, M6 x 16 mm 8.8 A2K	6	
.6	4700792710	Ball bearing	2	

**Kits** Transport device kit



Item	Part Number	Name	Qty	L
1	3382010213	Transport device kit	1	
2	-	Wheel bracket	1	
3	-	Nut, M10 x 1.5 mm A3K	2	
4	-	Screw, M10 x 40 mm 8.8 A3K	2	
5	-	Screw, M8 x 25 mm 8.8 A2K	2	
6	-	Bracket	1	
7	-	Wheel	2	
8	-	Clip	2	
9	-	Nut, M5 A2K	4	
10	-	Screw, M5 x 25 mm 8.8 A2K	4	
11	-	Washer, 8.4 x 25 x 2 mm, 0.33 x 0.98 x 0.08 in	6	
12	-	Screw, M8 x 12 mm 8.8 A2K	2	



Any unauthorized use or copying of the contents or any part thereof is prohibited. This applies in particular to trademarks, model denominations, part numbers, and drawings.