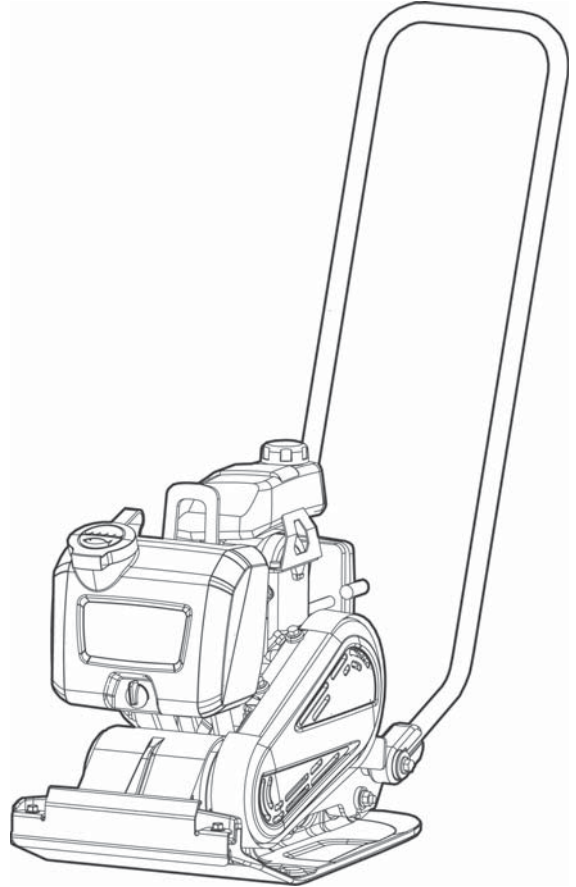


## Spare parts list

### Forward plate

	Valid from serial number
FP 60A Honda	BGF000001



## General information

This spare parts list applies to the following:

Part number	Description
3382 0005 65	Forward plate FP 60A Honda 350 mm (13.78 in.)

Use only authorized parts. Any damage or malfunction caused by the use of unauthorized parts is not covered by Warranty or Product Liability. Any unauthorized use or copying of the contents or any part thereof is prohibited. This applies in particular to trademarks, model denominations, part numbers, and drawings.

### Instructions for use

This spare parts list contains no safety regulations and is merely intended to assist in the ordering of spare parts.

For information about operating, servicing, or repairing, the relevant Safety and operating instructions must be consulted at all costs.

Please observe the safety instructions listed in the relevant Safety and operating instructions!

## Contents

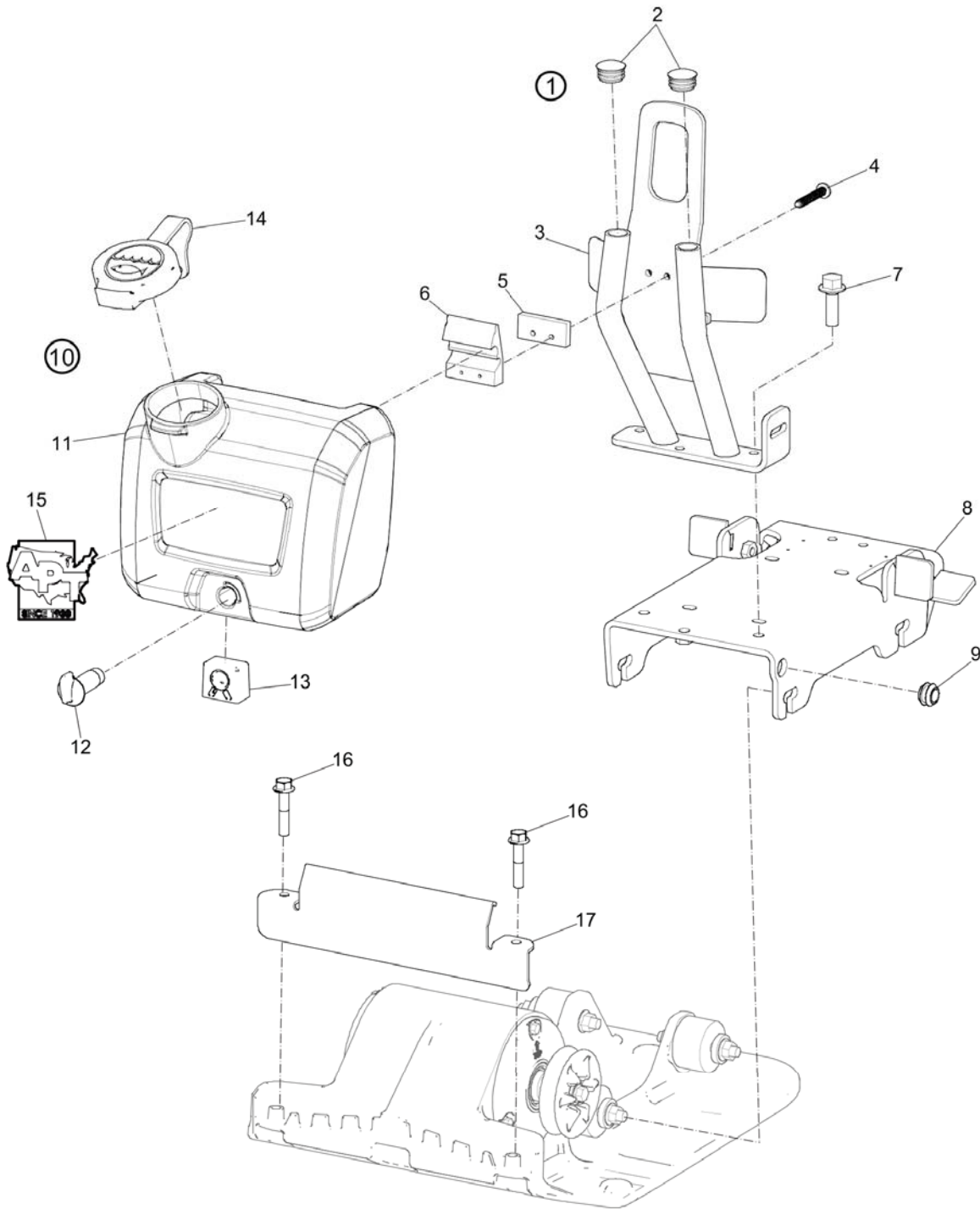
### Spare parts list

Lifting eye, engine plate and sprinkler system	1
Ground plate installation	3
Transport device	5
Engine installation, Honda	7
Engine, Honda GX 100 SE3 OH	9
Transmission cover	11
Handle	13
Labels	15

### Kits

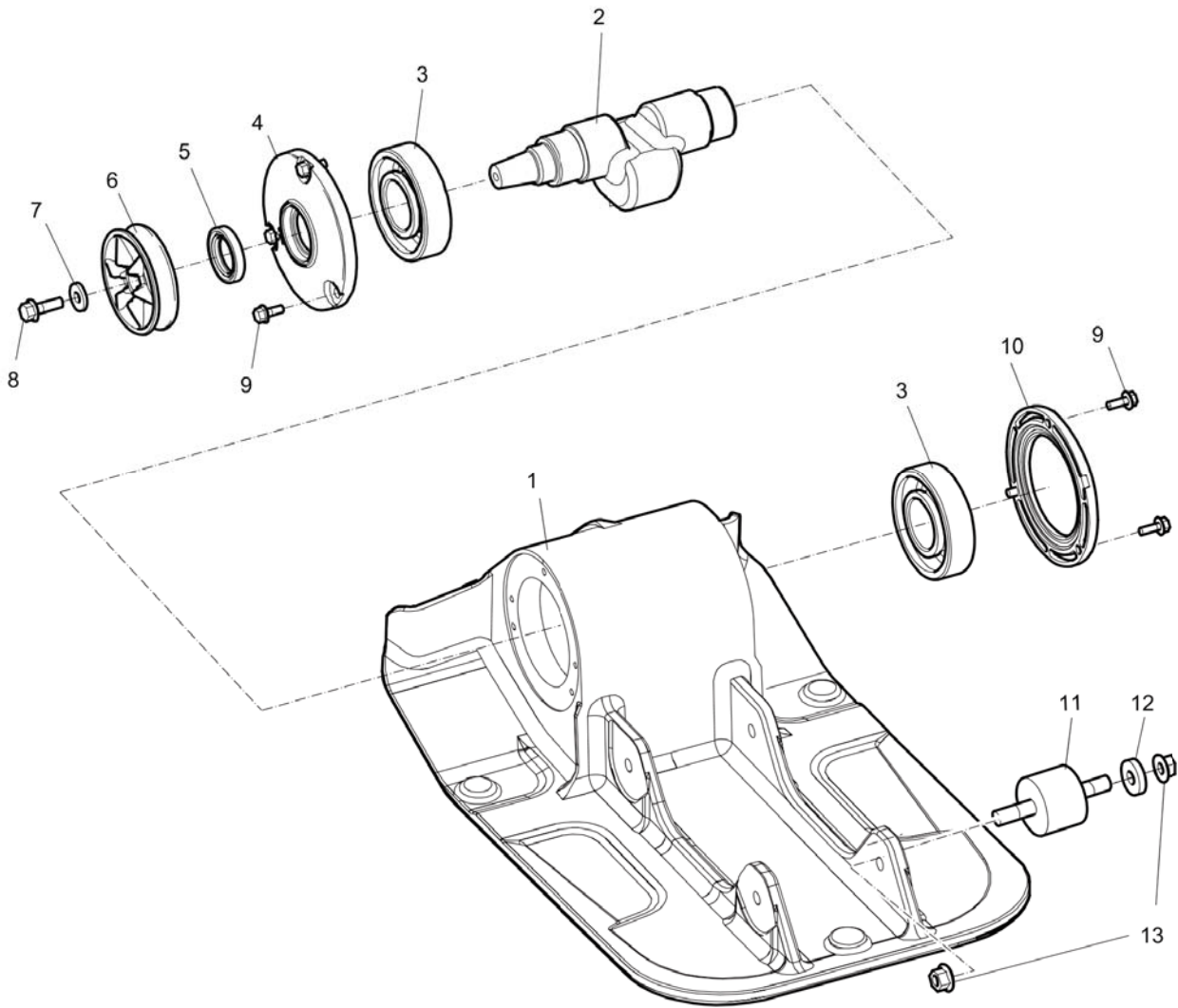
One year service kit	17
Shock absorber repair kit	19
Eccentric element repair kit	21
Transport device kit	23

**Spare parts list** Lifting eye, engine plate and sprinkler system



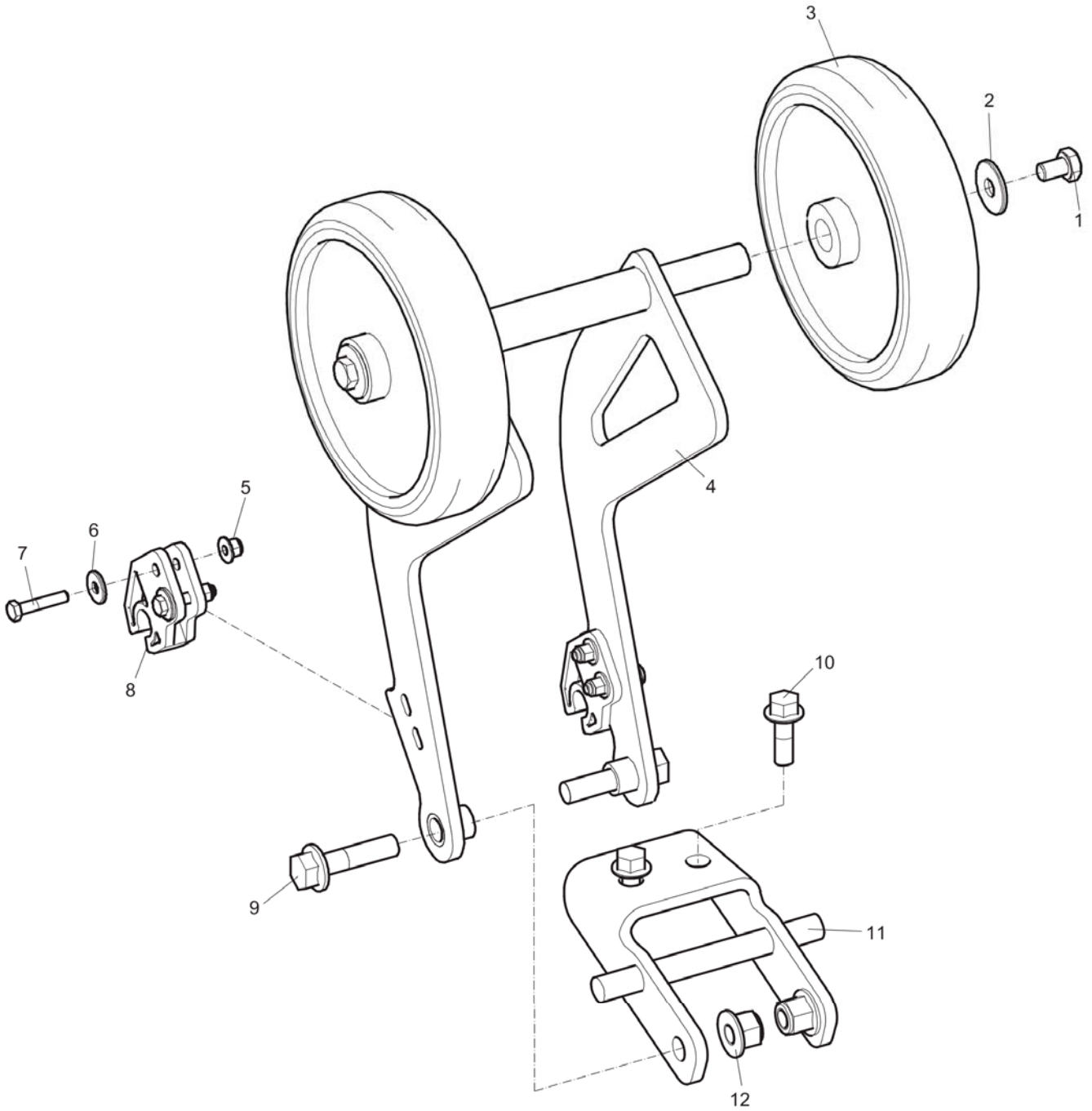
Item	Part No.	Name	Qty	L
1	3382100557	Lifting eye, complete	1	
2	3382014286	Plug	1	
3	3382014704	Lifting eye	2	
4	0226330001	Tapping screw	2	
5	3382014288	Plate	1	
6	4700378927	Clip	1	
7	4700902041	Screw, M8x25mm 8.8 A2K	3	
8	3382012476	Engine plate	1	
9	3382010104	Grommet	1	
10	3382100558	Water tank, complete	1	
11	-	Water tank	1	
12	-	Knob	1	
13	-	Water nozzle	1	
14	3382014167	Cap	1	
15	3330014800	Product label, "APT"	1	
16	0147300080	Screw	2	
17	3382012445	Protection	1	

**Spare parts list** Ground plate installation



Item	Part No.	Name	Qty	L
1	3382014100	Ground plate	1	
2	4700391876	Eccentric shaft	1	
3	4700792710	Ball bearing	2	
4	4700396548	Cover	1	
5	4700163105	Lip-type oil seal	1	
6	4700395013	V-belt pulley	1	
7	-	Washer, 8.4 x 22 x 3 mm, 0.33 x 0.87 x 0.12 in.	1	
8	-	Screw, M8 x 25 mm 8.8 A2K	1	
9	-	Screw, M6 x 16 mm 8.8 A2K	6	
10	4700396549	Cover	1	
11	4700792706	Shock absorber	4	
12	-	Washer, 10.5 x 28 x 6 mm, 0.41 x 1.10 x 0.24 in.	4	
13	4700570103	Nut, M10 x 1.5 mm GEOMET®	8	

**Spare parts list** Transport device



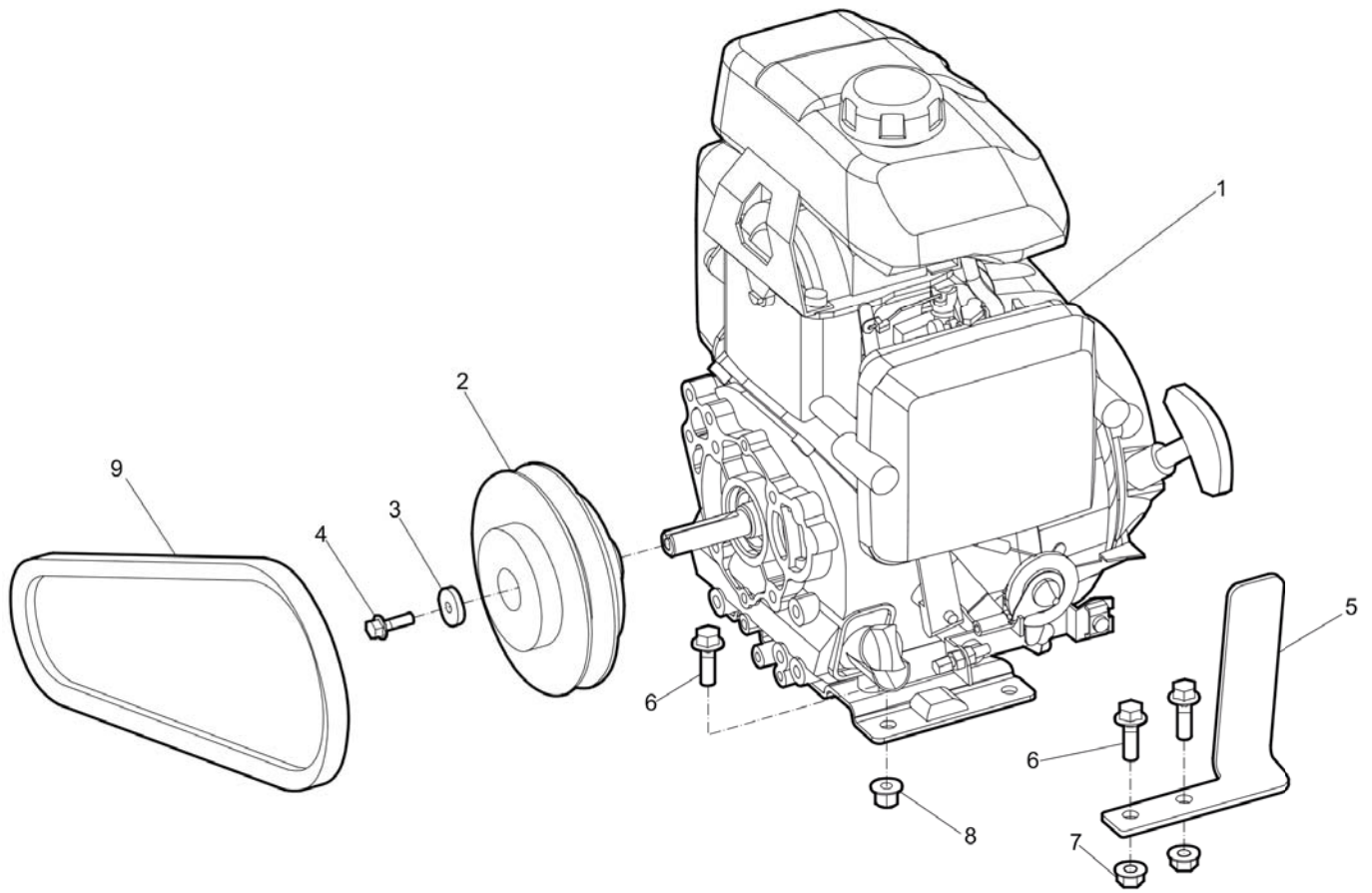
Refer to Parts Online for the most up to date information. The printed information might be outdated.

Wed Nov 11 00:41:10 MST 2015



Item	Part No.	Name	Qty	L
1	-	Screw, M8 x 12 mm 8.8 A2K	2	
2	-	Washer, 8.4 x 25 x 2 mm, 0.33 x 0.98 x 0.08 in.	2	
3	4700383582	Wheel	2	
4	3382010220	Bracket	1	
5	4700902284	Nut M5	4	
6	-	Washer, 8.4 x 25 x 2 mm, 0.33 x 0.98 x 0.08 in.	4	
7	-	Screw, M5 x 25 mm 8.8 A2K	4	
8	-	Clip	2	
9	-	Screw with flange, M10 x 40 mm 8.8 A3K	2	
10	-	Screw, M8 x 25 mm 8.8 A2K	2	
11	3382010219	Bracket	1	
12	-	Nut, M10 x 1.5 mm A3K	2	

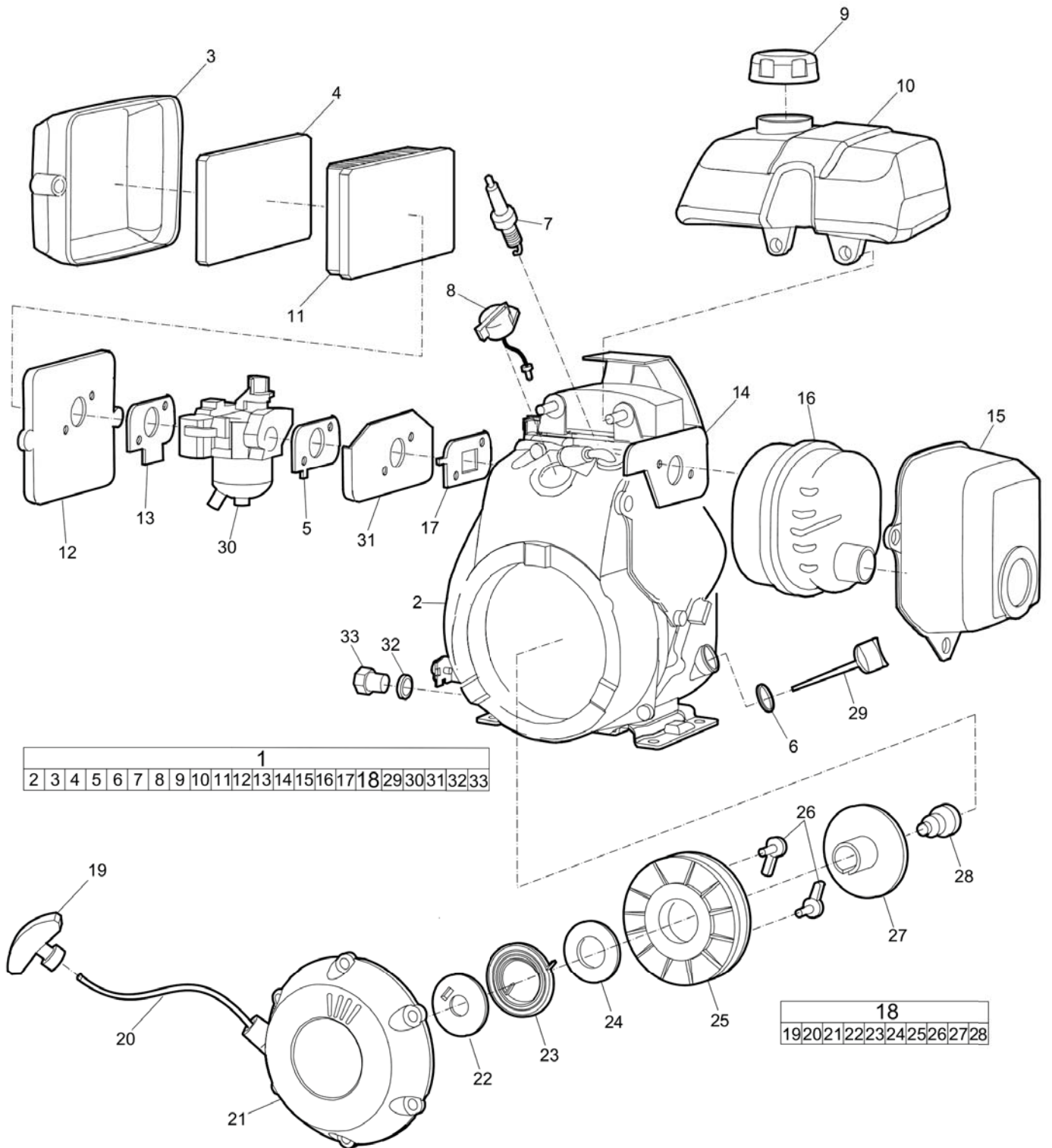
**Spare parts list** Engine installation, Honda



Refer to Parts Online for the most up to date information. The printed information might be outdated.  
Wed Nov 11 00:41:10 MST 2015

Item	Part No.	Name	Qty	L
1	4700387990	Engine, cpl	1	
2	4700391993	Centrifugal clutch, cpl	1	
3	-	Washer, 6.4 x 22 x 4 mm, 0.25 x 0.87 x 0.16 in.	1	
4	-	Screw, M6 x 20 mm 8.8 A2K	1	
5	4700395938	Protective plate	1	
6	-	Screw, M8 x 25 mm 8.8 A2K	6	
7	-	Nut, M8 x 1.25 mm A2K	2	
8	-	Lock nut, M8 x 1.25 mm A2K	4	
9	4700395657	V-belt	1	

**Spare parts list** Engine, Honda GX 100 SE3 OH



Refer to Parts Online for the most up to date information. The printed information might be outdated.

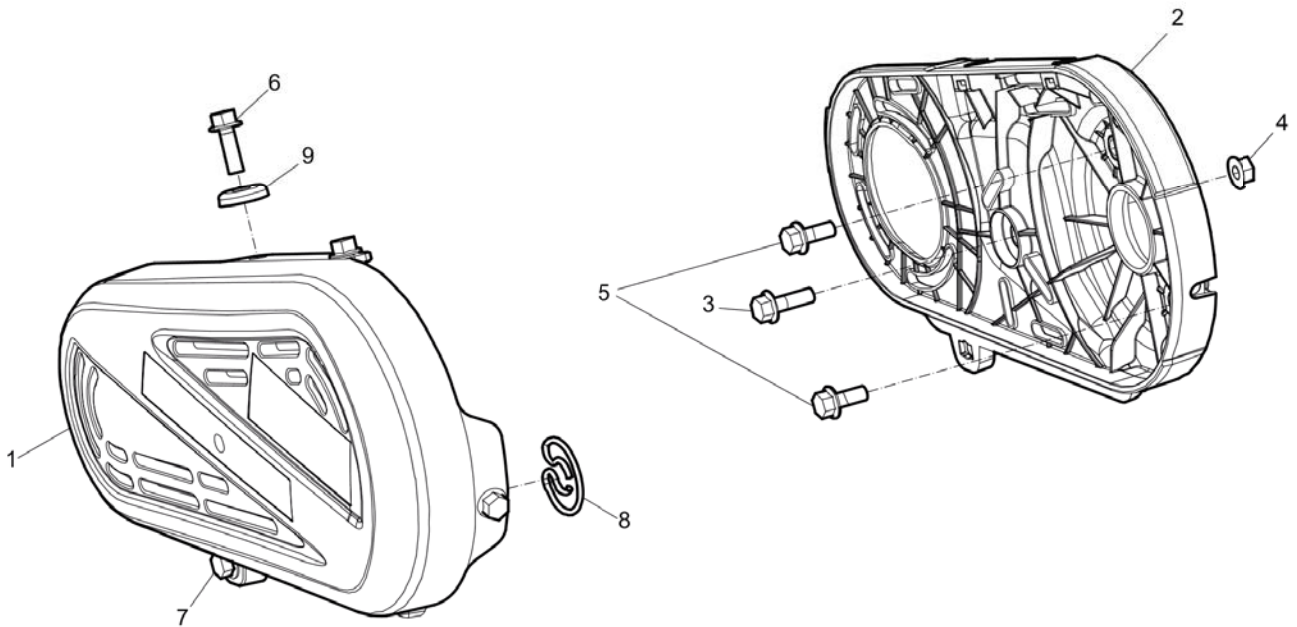
Wed Nov 11 00:41:12 MST 2015

Item	Part No.	Name	Qty	L
1	4700387990	Engine, cpl	1	
2	--	Engine	1	
3	4700938975	Cover	1	
4	4700938933	Air filter, outer	1	
5	4700938285	Gasket	1	
6	4700938477	Gasket	1	
7	4700938934	Spark plug	1	
8	4700940293	Switch	1	
9	4700939688	Fuel cap	1	
10	4700939687	Fuel tank	1	
11	4700938932	Air filter element	1	
12	4700939862	Air filter house	1	
13	4700940749	Gasket	1	
14	4700939737	Gasket	1	
15	3382100137	Cover	1	
16	4700938971	Muffler	1	
17	4700945659	Gasket	1	
18	3382100138	Recoil starter (black), complete	1	
19	4700938974	Grip	1	
20	4700939690	Rope	1	
21	3382100139	Cover, black	1	
22	3382100140	Plate	1	
23	4700239375	Spring	1	
24	3382100141	Washer	1	
25	3382100142	Reel	1	
26	4700938481	Ratchet	2	
27	4700938482	Guide	1	
28	4700239381	Screw	1	
29	4700938977	Oil dipstick, cpl	1	
30	4700939686	Carburettor	1	
31	4700939859	Insulator	1	
32	4700238303	Gasket	1	
33	4700239375	Spring	1	

Refer to Parts Online for the most up to date information. The printed information might be outdated.

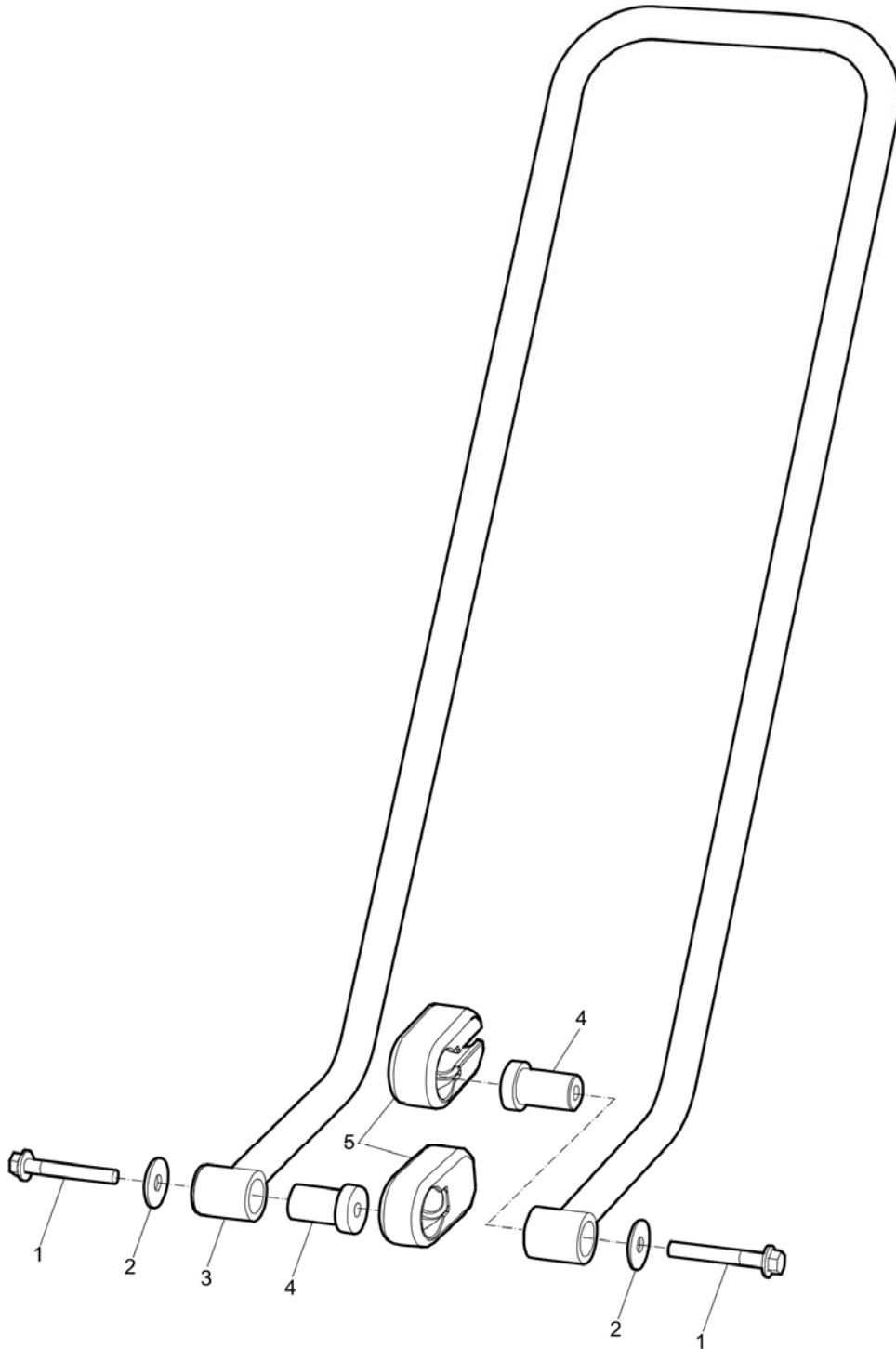
Wed Nov 11 00:41:12 MST 2015

**Spare parts list** Transmission cover



Item	Part No.	Name	Qty	L
1	3382012473	Belt guard, outer	1	
2	4700393966	Blet guard, inner	1	
3	-	Screw, M8 x 25 mm 8.8 A2K	1	
4	-	Nut, M8 x 1.25 mm A2K	1	
5	-	Screw, M8 x 20 mm 8.8 A2K	2	
6	-	Screw, M8 x 30 mm 8.8 A2K	3	
7	4812070368	Screw	1	
8	4812070431	Spring	1	
9	4812070364	Washer	3	

**Spare parts list** Handle



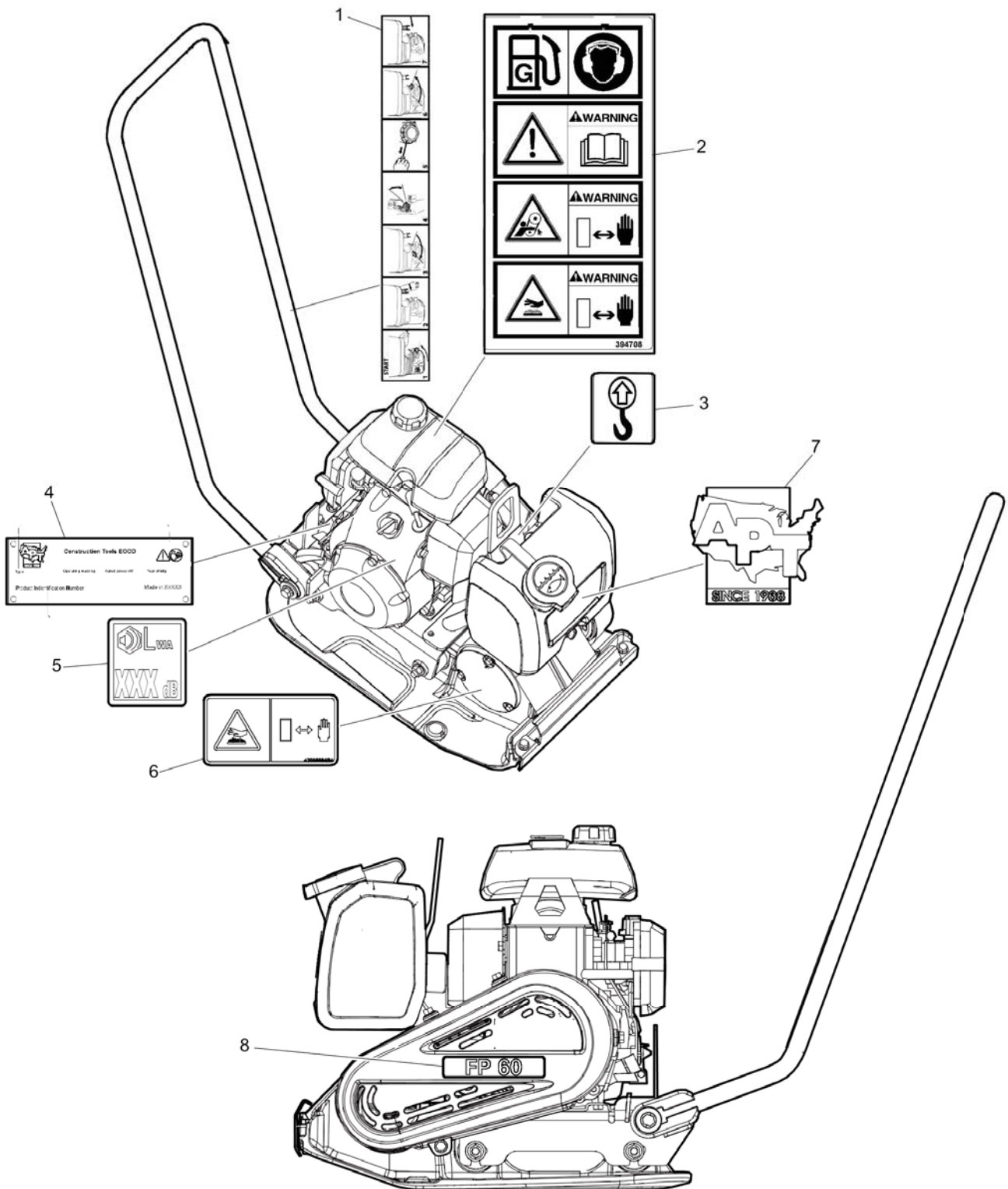
Refer to Parts Online for the most up to date information. The printed information might be outdated.

Wed Nov 11 00:41:13 MST 2015



Item	Part No.	Name	Qty	L
1	-	Screw, M10 x 70 mm 8.8 A3K	2	
2	-	Washer, 11 x 35 x 2 mm, 0.43 x 1.37 x 0.08 in.	2	
3	3382012713	Handle	1	
4	4700392084	Sleeve bearing	2	
5	4700391822	Shock absorber	2	

Spare parts list Labels

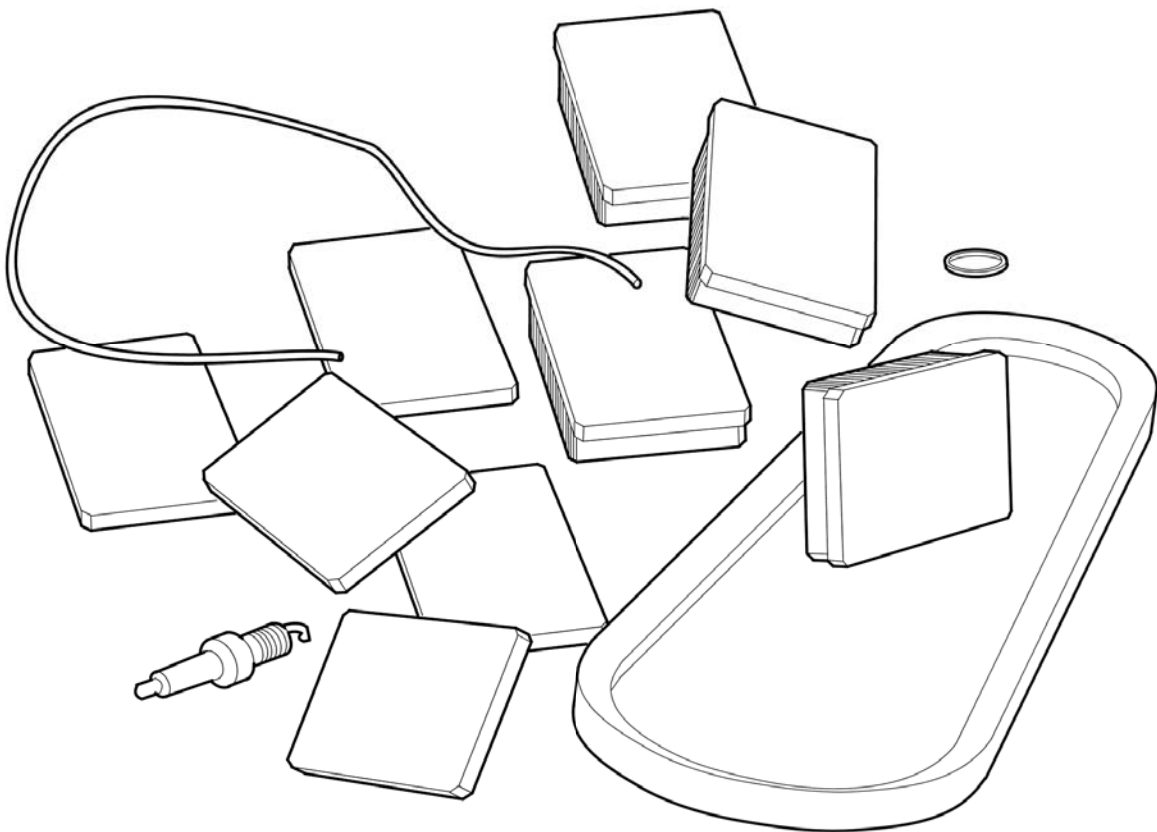


Refer to Parts Online for the most up to date information. The printed information might be outdated.

Wed Nov 11 00:41:13 MST 2015

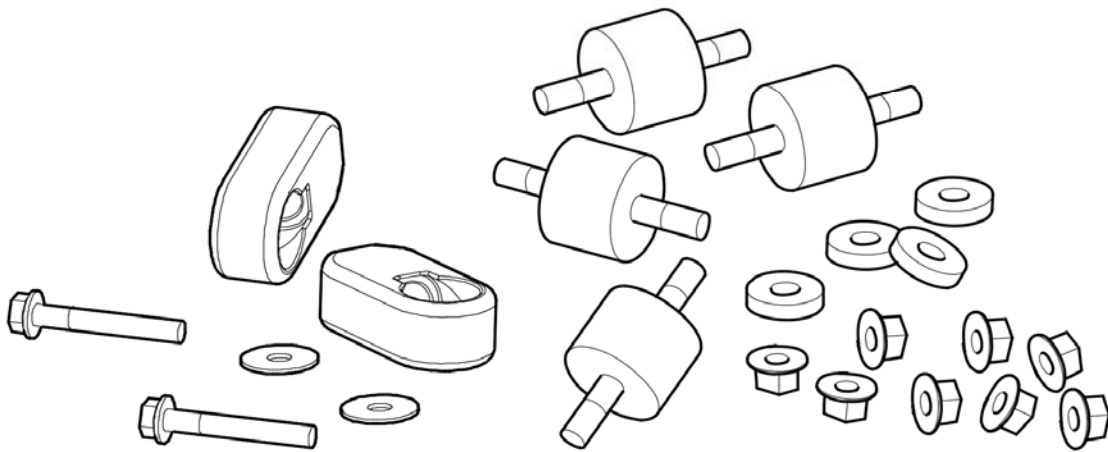
Item	Part No.	Name	Qty	L
1	3382010085	Label, start instruction	1	
2	4700394708	Instruction label	1	
3	4700357587	Label lifting point	1	
4	-	Data plate	1	
5	-	Sound power label	1	
6	4700903424	Safety label, hot surfaces	1	
7	3330014800	Product label, "APT"	1	
8	3382012670	Product label, "FP 60"	1	

**Kits** One year service kit



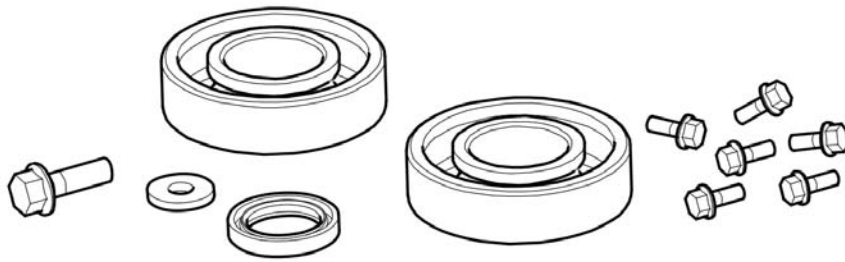
Item	Part No.	Name	Qty	L
1	3382100000	One year service kit	1	
2	4700938932	Air filter element	5	
3	4700938933	Air filter, outer	5	
4	4700938477	Gasket	1	
5	4700395657	V-belt	1	
6	4700939690	Rope	1	
7	4700938934	Spark plug	1	

**Kits** Shock absorber repair kit



Item	Part No.	Name	Qty	L
1	3382100005	Shock absorber repair kit		
2	4700792706	Shock absorber		
3	-	Washer, 10.5 x 28 x 6 mm, 0.41 x 1.10 x 0.24 in. 300 HV		
4	-	Nut, M10 A3K		
5	4700391822	Shock absorber		
6	-	Washer, 11 x 35 x 2 mm, 0.43 x 1.38 x 0.08 mm, 0.43 x 1.38 x 0.08 in.		
7	-	Screw, M10 x 70 mm 8.8 A3K		

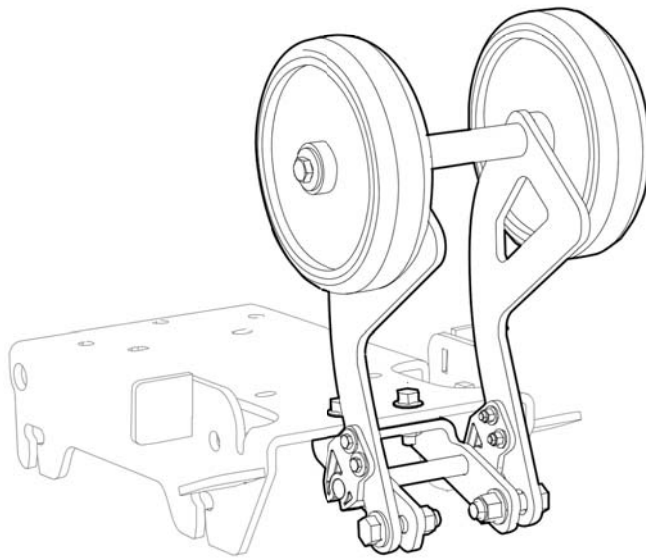
**Kits** Eccentric element repair kit





Item	Part No.	Name	Qty	L
1	3382100003	Eccentric element repair kit	1	
2	-	Screw, M8 x 25 mm 8.8 A2K	1	
3	-	Washer, 8.4 x 22 x 3 mm, 0.33 x 0.87 x 0.12 in. HV300	1	
4	4700163105	Lip-type oil seal	1	
5	-	Screw, M6 x 16 mm 8.8 A2K	6	
6	4700792710	Ball bearing	2	

**Kits** Transport device kit



Item	Part No.	Name	Qty	L
1	3382010213	Transport device kit	1	
2	-	Wheel bracket	1	
3	-	Nut, M10 x 1.5 mm A3K	2	
4	-	Screw, M10 x 40 mm 8.8 A3K	2	
5	-	Screw, M8 x 25 mm 8.8 A2K	2	
6	-	Bracket	1	
7	-	Wheel	2	
8	-	Clip	2	
9	-	Nut, M5 A2K	4	
10	-	Screw, M5 x 25 mm 8.8 A2K	4	
11	-	Washer, 8.4 x 25 x 2 mm, 0.33 x 0.98 x 0.08 in	6	
12	-	Screw, M8 x 12 mm 8.8 A2K	2	



Any unauthorized use or copying of the contents or any part thereof is prohibited. This applies in particular to trademarks, model denominations, part numbers, and drawings.