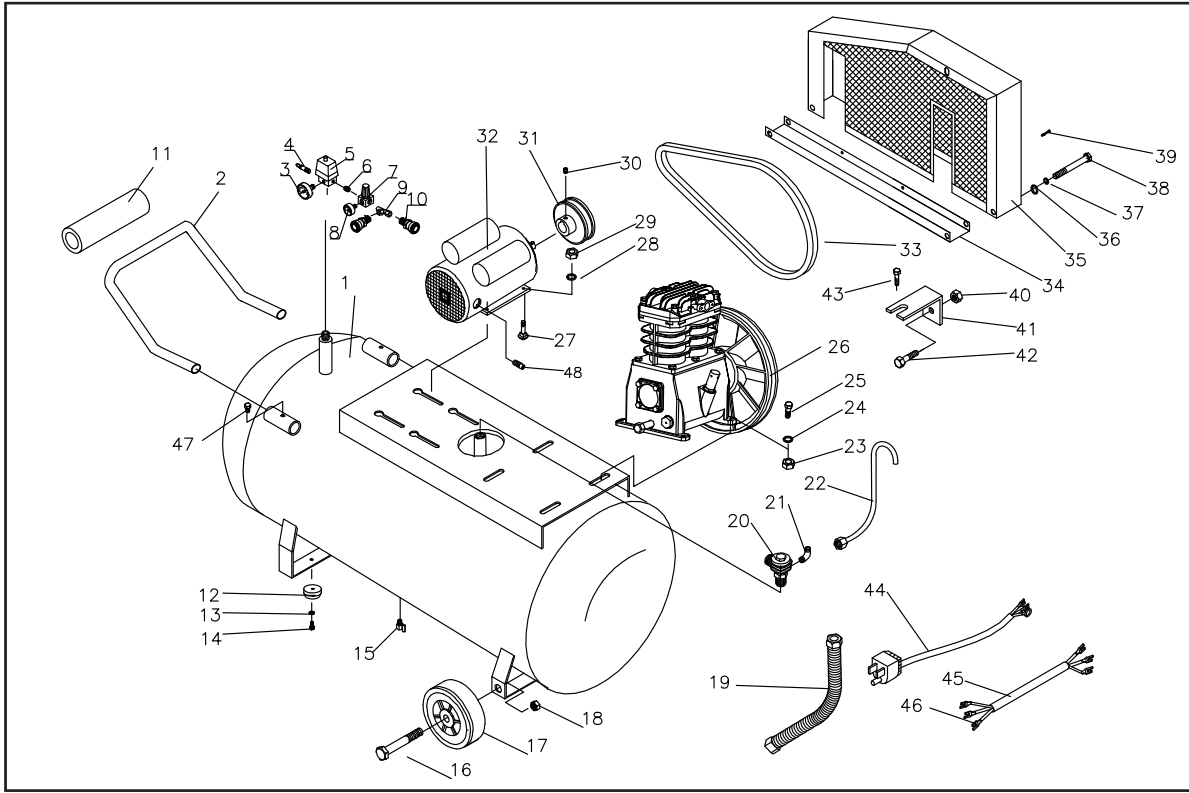


REF	DESCRIPTION	PART NUMBER	QTY.
2	Grip,Handle	42.004.500	1
11	Grip,Handle		1
47	Screw	42.004.501	2
2	Grip,Handle		1
11	Grip,Handle		1
47	Screw	42.004.502	2
2	Grip,Handle		1
11	Grip,Handle		1
47	Screw	42.004.505	2
3	Pressure Gauge		1
4	Safety Valve		1
5	Pressure Switch		1
7	Regulator		1
8	Pressure Gauge		1
9	T-branch pipe		1
10	Coupler		2
12	Foot Rubber Pad		2
13	6 Flat Washer		2
14	Bolt	2	
15	Drain Cock	42.004.012	1
16	Bolt	42.004.506	2
17	Tank Wheel		2
18	Six Angle Nut		2
19	Exhaust Pipe Assembly	42.004.521	1
20	Check Valve	42.004.508	1
21	Unload copper Pipe		1
22	Unload Elbow		0.4M



REF	DESCRIPTION	PART NUMBER	QTY.
23	Six Angle Nut	42.004.510	4
24	Spring Washer		4
25	Bolt		4
26	Pump		1
27	Motor Bolt	42.004.511	4
28	Washer		4
29	Six Angle Nut		4
48	Cable Glands		1
32	Motor	42.004.512	1
30	In-Six Angle Bolt		1
31	Motor Pulley		1
33	V-Belt	42.004.513	1
34	Safety Guard	42.004.514	1
35	Safety Guard		1
36	Washer		2
37	Spring Washer		2
38	Bolt		2
39	Screw		2
40	Six Angle Nut		1
41	Holder		1
42	Screw		1
43	Screw, M6x1x16		1
40	Six Angle Nut	42.004.515	1
41	Holder		1
42	Screw		1
43	Screw, M6x1x16		1