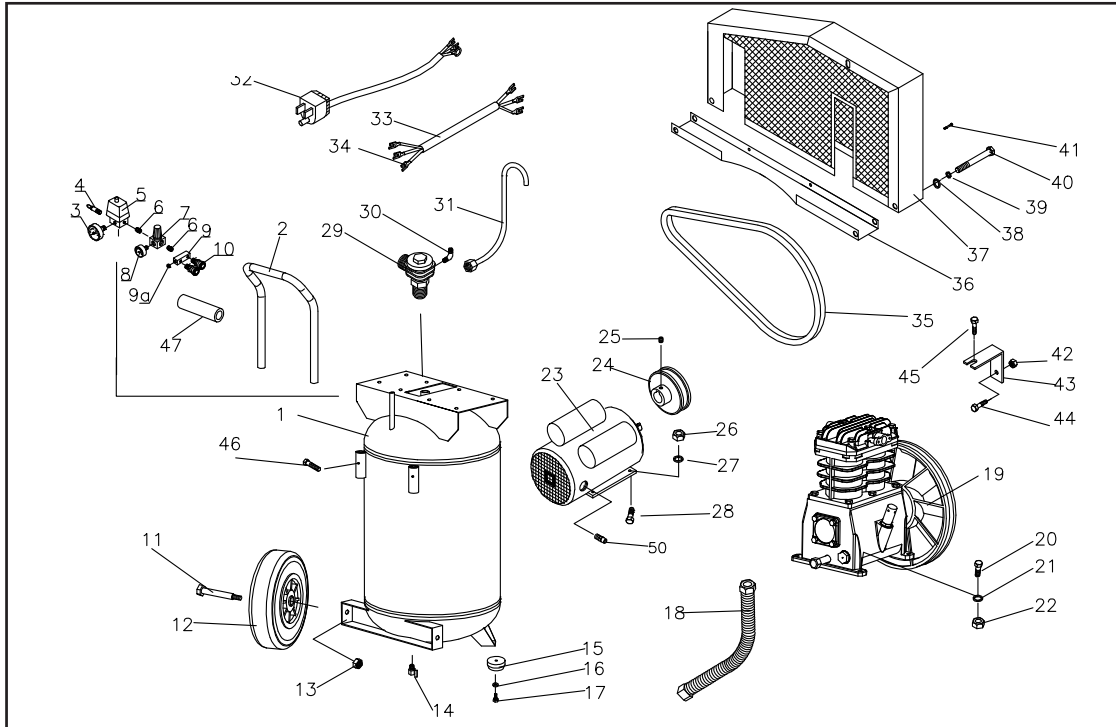


REF	DESCRIPTION	PART NUMBER	QTY.
2	Grip,Handle	42.004.516	1
46	Screw		2
47	Grip,Handle		1
2	Grip,Handle	42.004.517	1
46	Screw		2
47	Grip,Handle		1
2	Grip,Handle	42.004.518	1
46	Screw		2
47	Grip,Handle		1
3	Pressure Gauge	42.003.006	1
4	Safety Valve	42.006.046	1
5	Pressure Switch	42.004.519	1
7	Regulator	42.004.520	1
8	Pressure Gauge	42.003.005	1
9	branch pipe	42.000.018	1
9a	drain plug		2
10	Coupler	42.000.046	2
11	Bolt	42.004.506	2
12	Tank Wheel		2
13	Six Angle Nut		2
14	Drain Cock	42.004.012	1
15	Foot Rubber Pad	42.004.505	2
16	6 Flat Washer		2
17	Bolt		2
18	Exhaust Pipe Assembly	42.004.521	1
19	Pump	42.004.510	1
20	Bolt		4
21	Spring Washer		4
22	Six Angle Nut		4



REF	DESCRIPTION	PART NUMBER	QTY.
24	Motor Pulley	42.004.512*	1
25	In-Six Angle Bolt		1
23	Motor		1
26	Six Angle Nut		4
27	Washer	42.004.511*	4
28	Motor Bolt		4
48	Cable Glands		1
29	Check Valve		1
30	Unload copper Pipe	42.004.508*	1
31	Unload Elbow		0.2M
35	V-Belt	42.004.513*	1
36	Safety Guard		1
37	Safety Guard		1
38	Washer		2
39	Spring Washer		2
40	Bolt		2
41	Screw	42.004.522	2
42	Six Angle Nut		1
43	Holder		1
44	Screw		1
45	Screw, M6x1x16		1
42	Six Angle Nut		1
43	Holder	42.004.509	1
44	Screw		1
45	Screw, M6x1x16		1