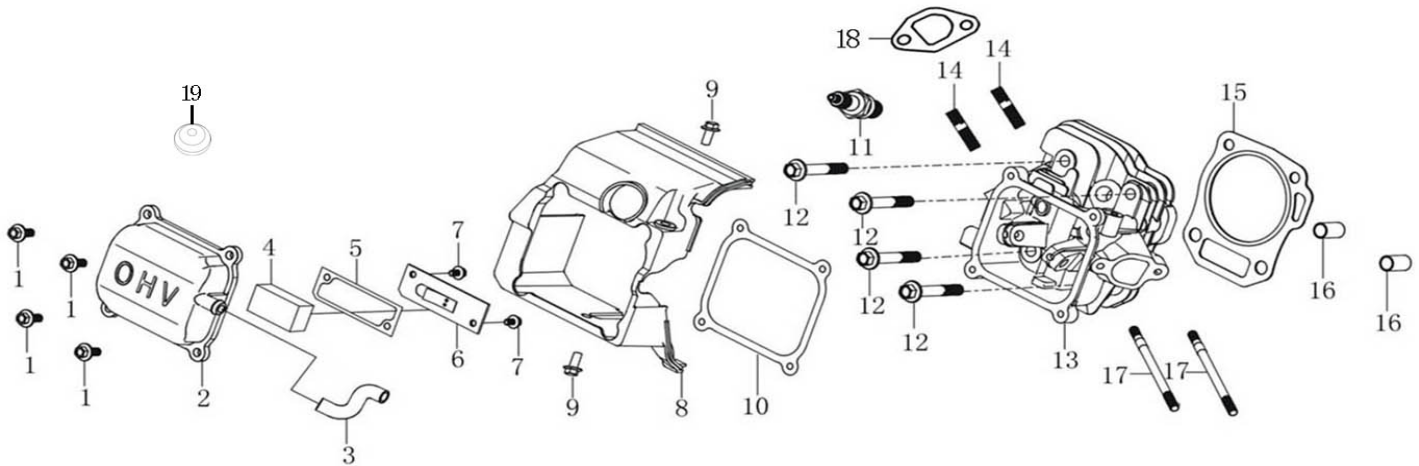
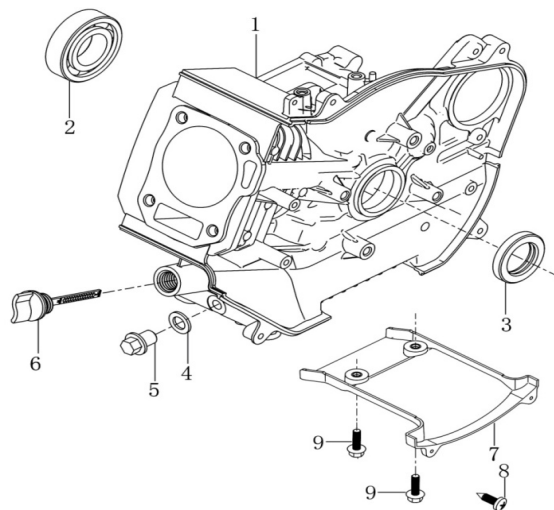


CYLINDER HEAD

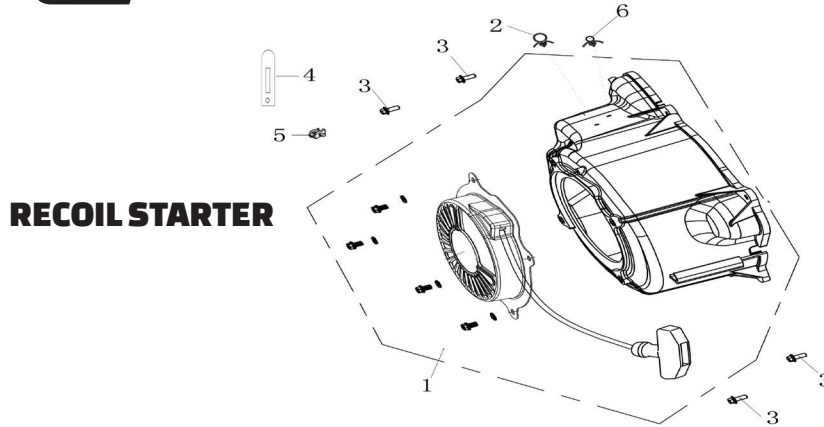


REF NO.	DESCRIPTION	QTY	PART NO.
1	BOLT ,FLANGE M6X14	4	85.591.268
2	COVER , HEAD	1	
3	TUBE , BREATHER	1	
4	FILTER, HEAD COVER	1	
5	GASKET, CAP, BREATHER	1	
6	CAP, BREATHER CHAMBER	1	
7	BOLT ,FLANGE M5X10	2	
10	PACKING , HEAD COVER	1	85.591.245
12	BOLT , FLANGE ,M8X60	4	
15	GASKET , CYLINDER	1	
18	GASKET,EX.PIPE	1	

CRANKCASE

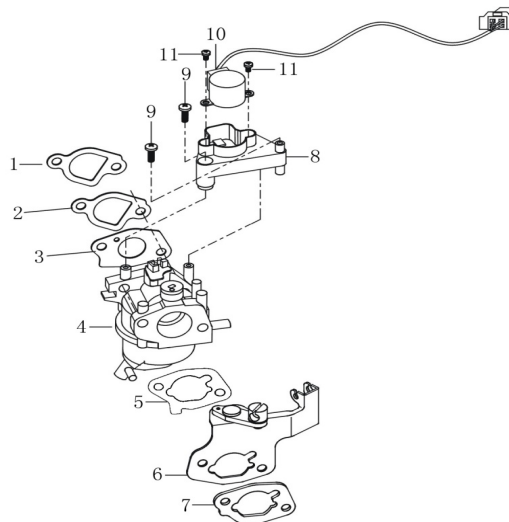


REF NO.	DESCRIPTION	QTY	PART NO.
3	OIL SEAL 25x41.25x6	1	85.591.245
6	CAP ASSY	1	85.591.246



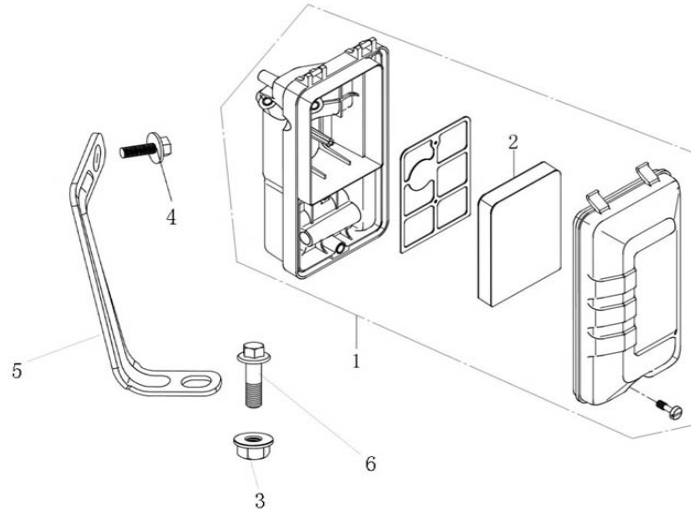
REF NO.	DESCRIPTION	QTY	PART NO.
1	COVER COMP, FAN	1	85.591.247
2	LOCATION CABLE CLIP	1	
3	BOLT ,FLANGE M6×16	4	
4	CABLE CLEAT	1	
5	CLIP,HARNESS	1	
6	LOCATION CABLE CLIP	1	

CARBURETOR



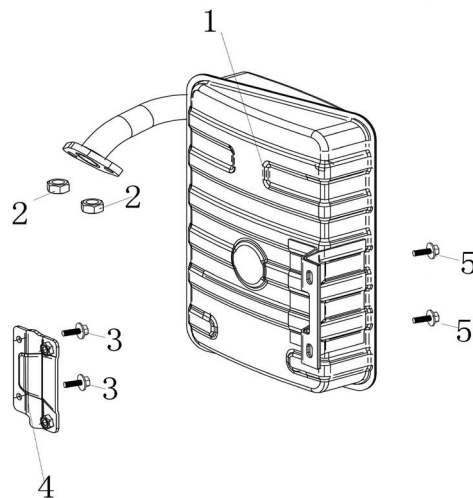
REF NO.	DESCRIPTION	QTY	PART NO.
1	PACKING , INSULATOR	1	85.591.248
2	INSULATOR ,CARBURETOR	1	
3	PACKING ., CARBURETOR	1	
4	CARBURETOR	1	
5	GASKET,CARBURETOR	1	
6	BRACKET CHOKE	1	
7	SPACER COMP.,AIR CLEANER	1	
8	BRACKET ELETROMOTOR	1	
9	SCREW , TAPPING , M4×12	2	
10	RECOIL START ASSY	1	
11	SCREW, M3X5	2	

AIR FILTER



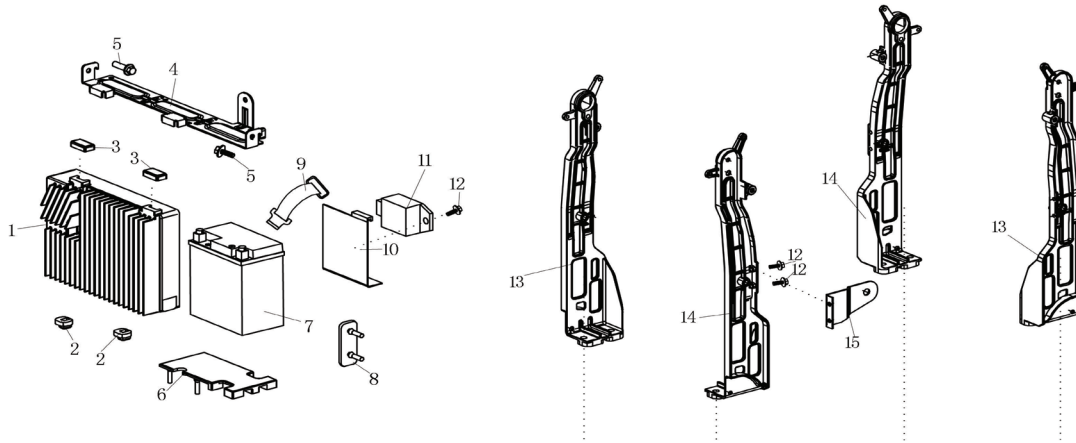
REF NO.	DESCRIPTION	QTY	PART NO.
1	AIR CLEANER	1	85.591.259
2	FILTER, OUTER	1	
3	NUT, FLANGE	1	
4	BOLT, FLANGE,	1	
5	AIR FILTER BRACKET	1	
6	BOLT, FLANGE,	1	

MUFFLER



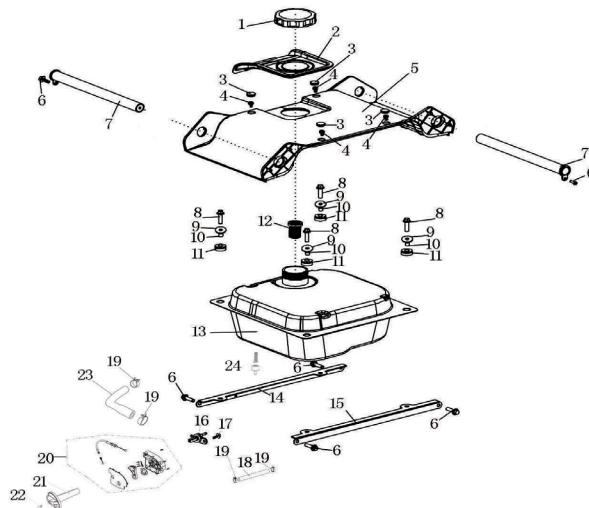
REF NO.	DESCRIPTION	QTY	PART NO.
1	MUFFLER COMP	1	85.591.249
2	NUT M8	2	
3	BOLT, FLANGE,	2	
4	MUFFLER BRACKET	1	
5	BOLT, FLANGE,	2	

INVERTER ASSY



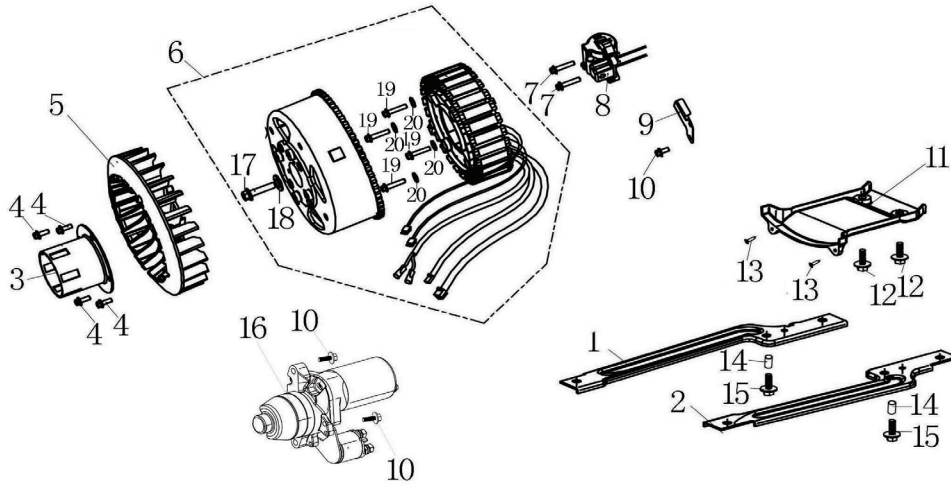
REF NO.	DESCRIPTION	QTY	PART NO.
1	INVERTER ASSY.	1	85.591.250
2	Rubber	2	85.591.251
3	Rubber	2	
7	Storage battery	1	85.591.260

FUEL TANK



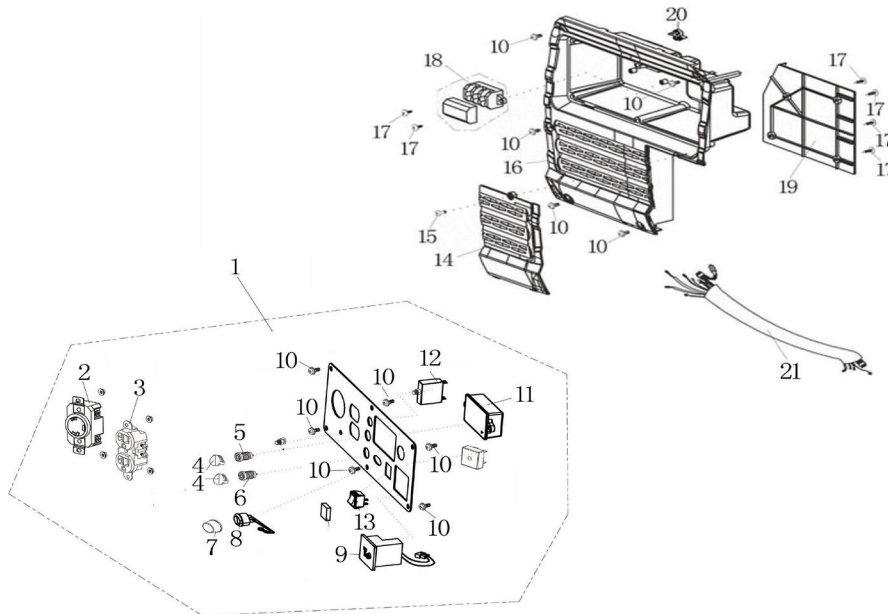
REF NO.	DESCRIPTION	QTY	PART NO.
1	CAP COMP.,FUEL FILLER	1	85.591.252
12	FILTER, FUEL TANK	1	
13	TANK COMP, FUEL	1	85.591.253
16	COCK ASSY.,FUEL	1	85.591.254
17	BOLT, FLANGE	1	
18	TUBE,FUEL	1	
19	LOOP,TUBE	4	
20	Tubing	1	
21	Oil Switch Knob	1	
22	Screw	1	
23	TUBE,FUEL	1	

ROTOR ASSY



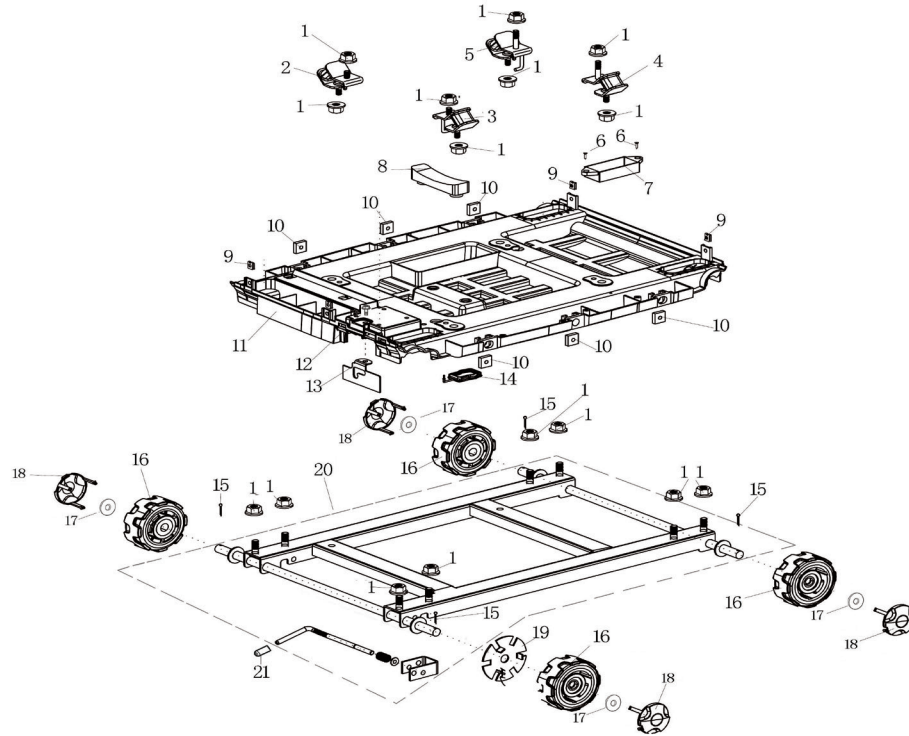
REF NO.	DESCRIPTION	QTY	PART NO.
8	IGNITION COIL ASSY	1	85.591.267
10	FLANGE BOLT	3	85.591.255
16	MOTOR STARTER	1	

CONTROL PANEL



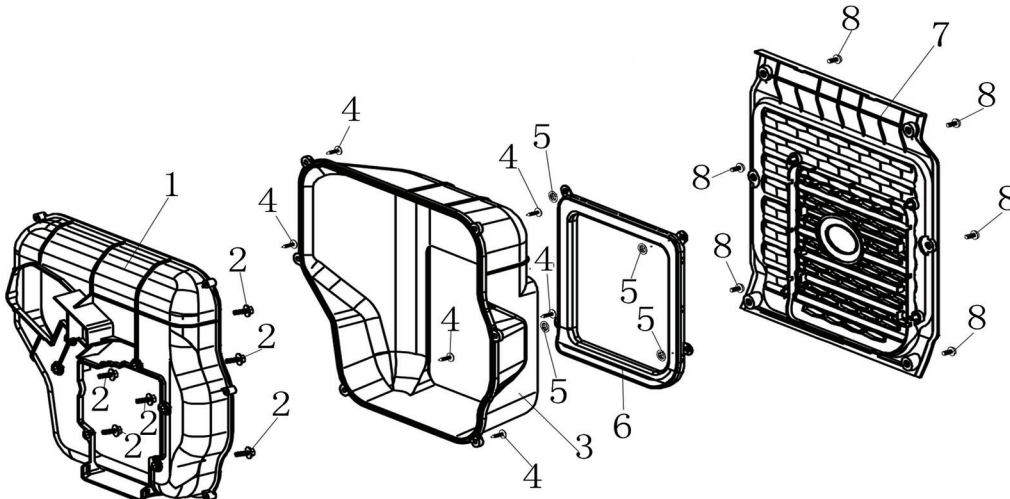
REF NO.	DESCRIPTION	QTY	PART NO.
2	POWER SOCKET COMBINATION	1	85.591.256
3	POWER SOCKET COMBINATION	2	
4	GRID SOCKET WATERPROOF GLUE SETS	2	85.591.261
5	GRID SOCKET (RED)	1	
6	GRID SOCKET (BLACK)	1	85.591.262
7	IDLING SWITCH WATERPROOF CAP	1	
8	DEACTIVATION SWITCH	1	
13	SWITCH ASSY, COMBINATION	1	

FRAME



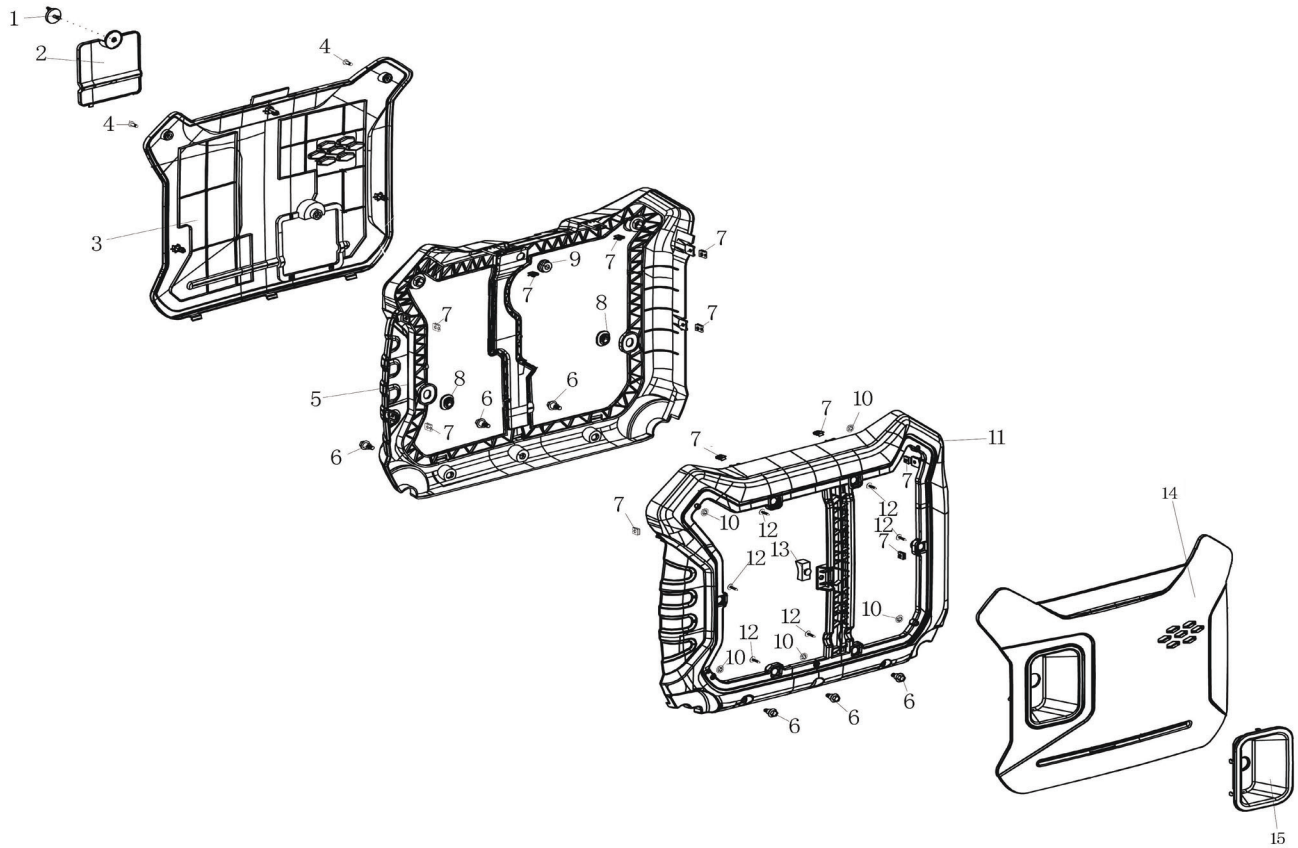
REF NO.	DESCRIPTION	QTY	PART NO.
15	Pin	4	85.591.257
16	Wheel	4	
17	FLAT WASHER	4	
18	WHEEL DUST GUARD	4	
19	WHEEL LOCK	1	
21	WHEEL LOCK	1	

MUFFLER GUARD



REF NO.	DESCRIPTION	QTY	PART NO.
7	WINDOW	1	85.591.258

SIDE PANEL



REF NO.	DESCRIPTION	QTY	PART NO.
3	Appearance Cover (Left)	1	85.591.240
14	Appearance Cover (Right)	1	85.591.240