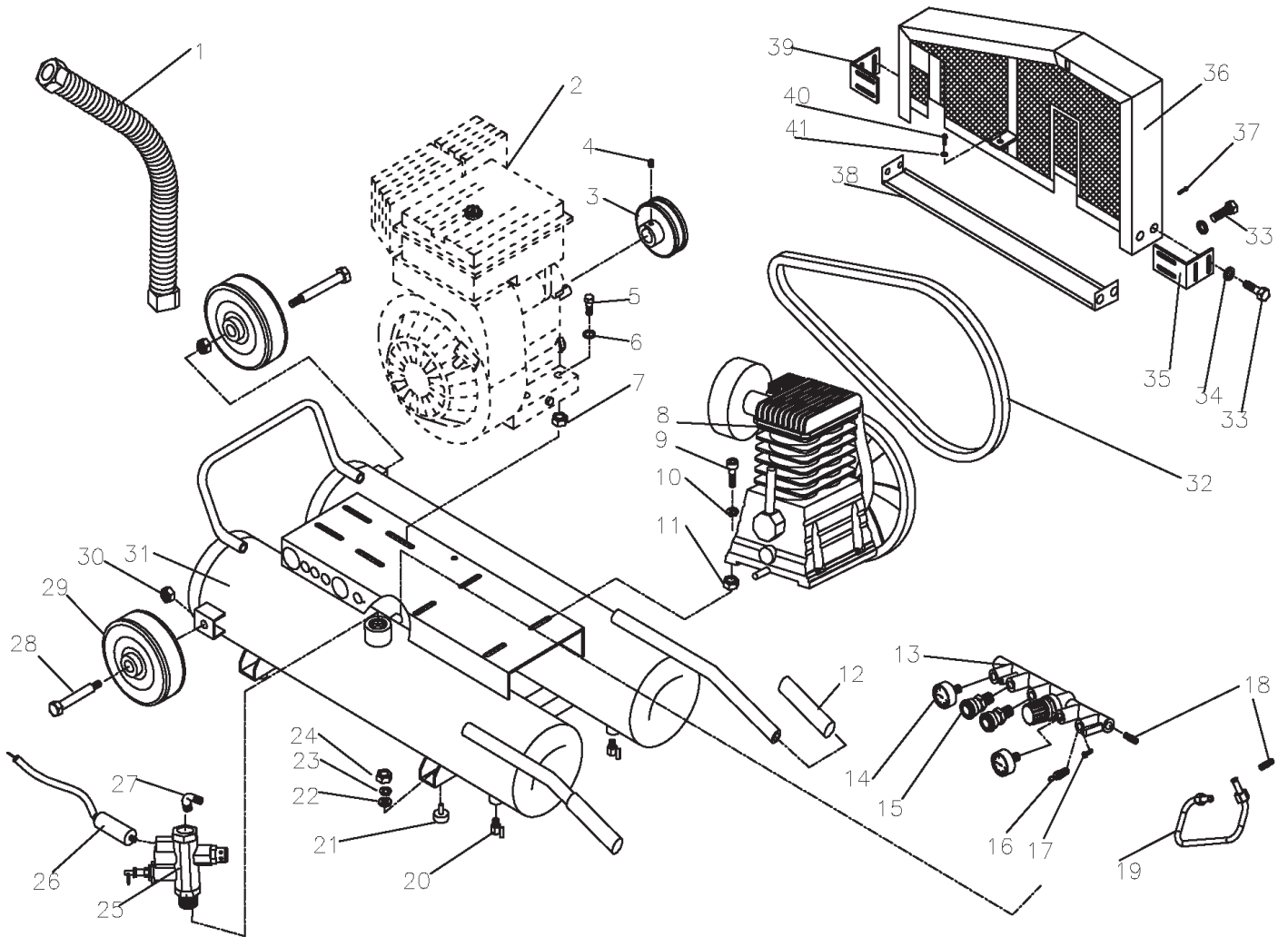




PARTS BREAKDOWN

C9008 COMPRESSOR



REF.	DESCRIPTION	QTY	PART #				
1	Exhaust Pipe Assembly	1	42.004.019	33	Bolt	8	42.008.016
3	Motor Pulley	1	42.008.015	34	Washer	8	
8	Pump	1	42.008.007	35	Safety Guard Seat L	1	
13	Manifold	1	42.004.011	36	Safety Guard	1	
19	Pipe	1	42.008.000	37	M5x0.8x8 Screw	3	
28	Screw,	2	42.008.005	38	Safety Guard	1	
29	Tank Wheel	2		39	Safety Guard Seat S	1	
30	Six Angle Nut	2		40	Bolt	1	
32	V-Belt	1	42.008.006	41	Spring Washer	1	
				14	Pressure Gauge	2	