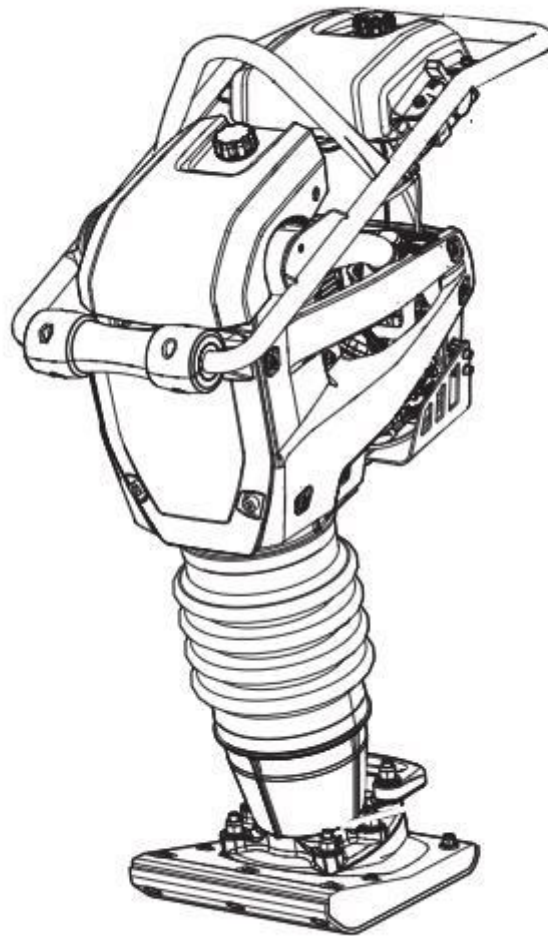


LT 6005H

Spare parts list

Rammers

LT 6005H



General information

This spare parts list applies to the following:

Part number	Description
967854503	LT6005H 11" Standard High Altitude

Use only authorized parts. Any damage or malfunction caused by the use of unauthorized parts is not covered by Warranty or Product Liability. Any unauthorized use or copying of the contents or any part thereof is prohibited. This applies in particular to trademarks, model denominations, part numbers, and drawings.

Instructions for use

This spare parts list contains no safety regulations and is merely intended to assist in the ordering of spare parts.

For information about operating, servicing, or repairing, the relevant Safety and operating instructions must be consulted at all costs.

Please observe the safety instructions listed in the relevant Safety and operating instructions!

Preventative Maintenance Kits

Start Up Kit 1
Six months / Every 100 hours kit 3

Service, repair and wear part kits

Shock absorber repair kit 5
Transmission repair kit 7
Spring unit repair kit 9
Foot 230 mm (9 in.) repair kit 11
Foot 280 mm (11 in.) repair kit 13
Extended foot kit 15
Air filter indicator and hour meter kit 17
Trolley 19
Repair kit, Bellows 21

Spare parts list

Handle and covers 23
Throttle control and fuel system 25
Air filter and engine installation 27
Engine, Honda GXR120 29
Extended foot 31
Transmission 33
Spring unit 35
Foot 230 mm (9 in.) 37
Foot 280 mm (11 in.) 39
Labels 41

Preventative Maintenance Kits Start Up Kit

NO EXPLODED VIEW
AVAILABLE
FOR THIS BOM

Item	Part No.	Name	Qty	L
1	594216501	Start Up Kit	1	
2	594214501	Six months / Every 100 hours kit	1	
3	594180401	Fuel Filter	2	
4	594168701	Air filter, complete	3	

Preventative Maintenance Kits Six months / Every 100 hours kit

NO EXPLODED VIEW
AVAILABLE
FOR THIS BOM

Item	Part No.	Name	Qty	L
2	594214501	Six months / Every 100 hours kit	1	
3	594180401	Fuel Filter	2	
4	594168701	Air filter, complete	3	

Service, repair and wear part kits Shock absorber repair kit

NO EXPLODED VIEW
AVAILABLE
FOR THIS BOM

Item	Part No.	Name	Qty	L
1	594211301	Shock absorber repair kit	1	
2	594167001	Shock absorber	2	
3	595348301	Screw	4	
4	595036601	Washer DIN125	4	
5	595034501	Hex. Sock. Screw	4	

Service, repair and wear part kits Transmission repair kit

NO EXPLODED VIEW
AVAILABLE
FOR THIS BOM

Item	Part No.	Name	Qty	L
1	594655101	Repair kit, transmission	1	
2	594537401	Needle roller bearing	1	
3	594258501	Ball Bearing	1	
4	595144401	Circlip ring	1	
5	594537301	Needle roller bearing	1	
6	595045601	Snap ring	2	
7	594531701	Ball Bearing	2	
8	595353501	Internal circlip	2	
9	594537601	Sealing	1	
10	-	Nut, M12 x 1.25 mm A3K	1	
11	595355201	O-ring	1	
12	-	Screw, M10 x 25 mm 8.8 A3K	4	
13	595117701	O-Ring	1	
14	-	Washer, 10.5 x 22 x 2 mm, 0.41 x 0.87 x 0.08 in. 300 HV	4	
15	-	Screw, M10 x 35 mm 8.8 A3K	4	
16	-	Washer, 8.4 x 26 x 3 mm, 0.33 x 1.02 x 0.12 in.	1	
17	-	Screw, M8 x 25 mm 8.8 A2K	1	

Service, repair and wear part kits Spring unit repair kit

NO EXPLODED VIEW
AVAILABLE
FOR THIS BOM

Item	Part No.	Name	Qty	L
1	594655201	Repair kit, spring unit	1	
2	594441801	Spring	2	
3	594441701	Spring	2	
4	594441901	Stop	1	
5	594442001	Stop	1	
6	-	Screw, M8 x 20 mm 8.8 A2K	6	
7	594455901	Gasket	1	
8	595047101	O-ring	1	
9	-	Washer, 8.7 x 14 x 1 mm, 0.32 x 0.04 in. Type A	6	
10	-	Fibre washer, 27 x 32 x 2 mm, 1.06 x 1.26 x 0.08 in.	1	

Service, repair and wear part kits Foot 230 mm (9 in.) repair kit

NO EXPLODED VIEW
AVAILABLE
FOR THIS BOM

Item	Part No.	Name	Qty	L
1	594590601	Foot kit, cpl	1	
2	594452001	Ground plate	1	
3	594452101	Foot	1	
4	-	Screw, M8 x 50 mm 8.8 NYLOK BLUE PATCH™ (Known as TUF-LOK® in Europe)	6	
5	-	Nut, M8 x 1.25 mm A2K	6	
6	594517201	Screw, M12 x 150 mm 10.9 GEOMET®	2	
7	594514301	Screw, M12 x 100 mm 10.9 GEOMET®	2	
8	594517101	Screw, M12 x 110 mm 10.9 GEOMET®	2	
9	-	Nut, M12 x 1.75 mm A3K	6	
10	-	Washer, 8.4 x 22 x 3 mm, 0.33 x 0.87 x 0.12 in. HV300	6	

Comments for Page: Foot 230 mm (9 in.) repair kit

NYLOK BLUE PATCH is a trademark of Nylok Corporation.

TUF-LOK is a registered trademark of Nylok Corporation in Europe.

GEOMET is a registered trademark of Nof Metal Coatings North America Inc.

Service, repair and wear part kits Foot 280 mm (11 in.) repair kit

NO EXPLODED VIEW
AVAILABLE
FOR THIS BOM

Item	Part No.	Name	Qty	L
1	594590701	Foot 280 mm (11 in.) repair kit	1	
2	594451201	Ground plate	1	
3	594451001	Foot	1	
4	594517001	Screw, M8 x 50 mm NYLOK BLUE PATCH™(Known as TUF-LOK® in Europe)	8	A
5	-	Nut, M8 x 1.25 mm A2K	8	
6	594122401	Screw, M12 x 150 mm, 10.9, DIN608	2	B
7	594122201	Screw, M12 x 100 mm, 10.9, DIN608	2	B
8	594122301	Screw, M12 x 110 mm, 10.9, DIN608	2	B
9	-	Nut, M12 x 1.75 mm A3K	8	
10	-	Washer, 8.4 x 22 x 3 mm, 0.33 x 0.87 x 0.12 in. HV300	8	

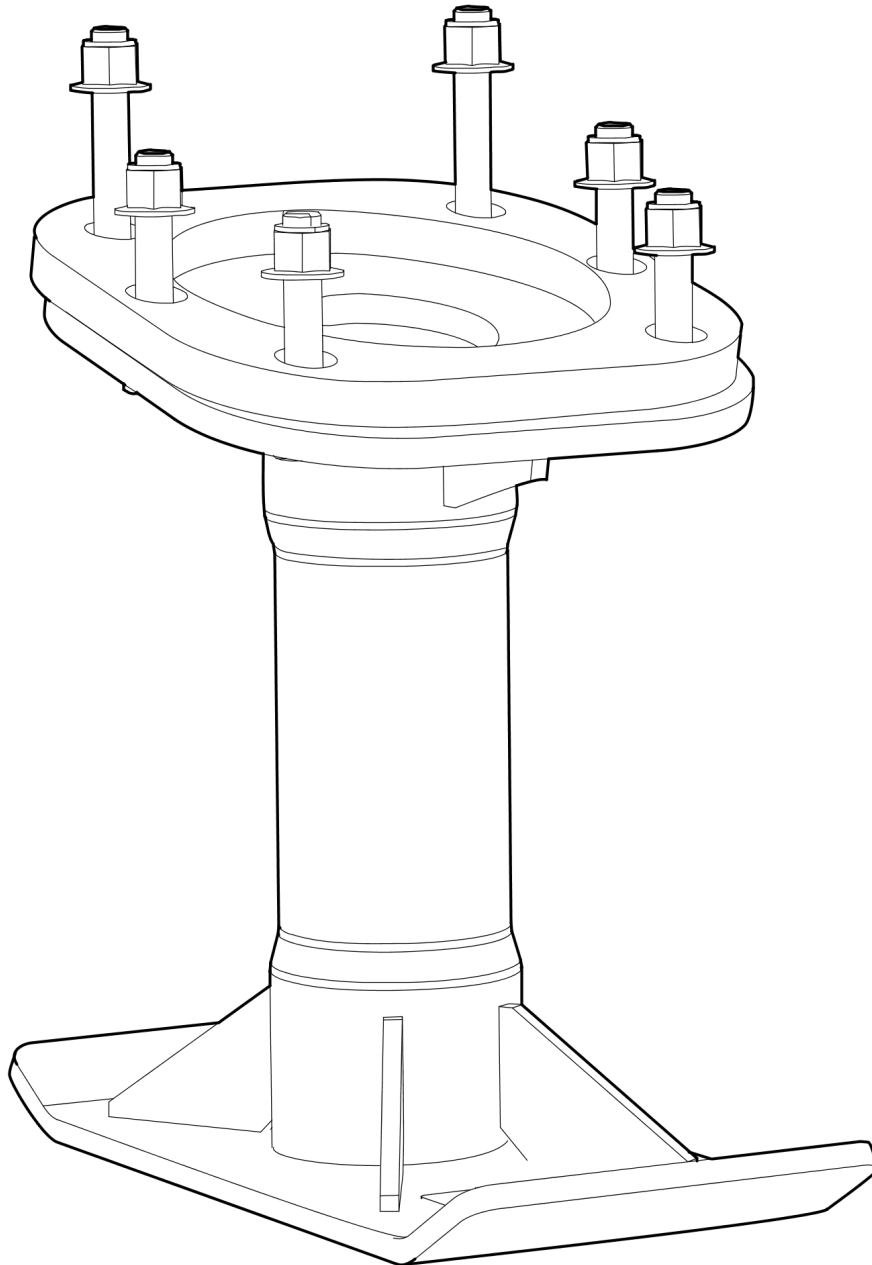
Comments for Page: Foot 280 mm (11 in.) repair kit

A || NYLOK BLUE PATCH is a trademark of Nylok Corporation.

TUF-LOK is a registered trademark of Nylok Corporation in Europe.

B || GEOMET is a registered trademark of Nof Metal Coatings North America Inc.

Service, repair and wear part kits Extended foot kit



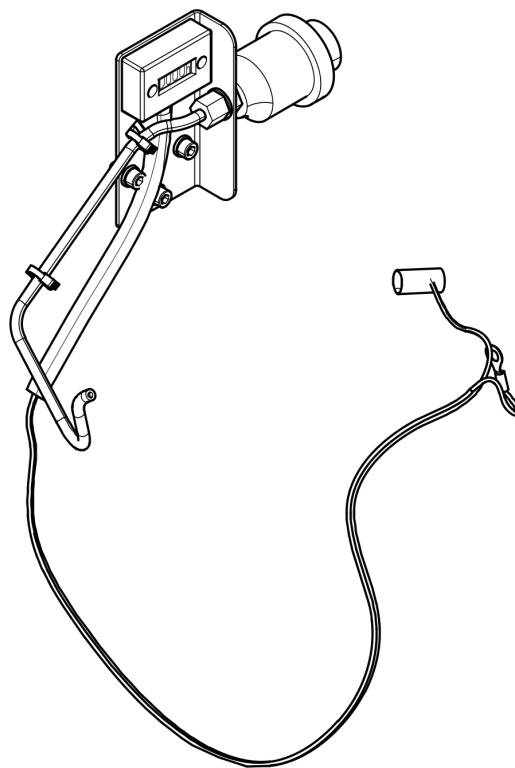
Item	Part No.	Name	Qty	L
1	595462801	Extended foot kit	1	
2	-	Foot	1	
3	-	Screw, M12 x 90 mm 10.9 GEOMET®	2	A
4	-	Screw, M12 x 70 mm 10.9 GEOMET®	4	A
5	-	Nut, M12	6	
6	-	Washer, 13 x 24 x 2 mm, 0.51 x 0.98 x 0.08 in. 300 HV	6	
7	-	Instruction label	1	B

Comments for Page: Extended foot kit

A || GEOMET is a registered trademark of Nof Metal Coatings North America Inc.

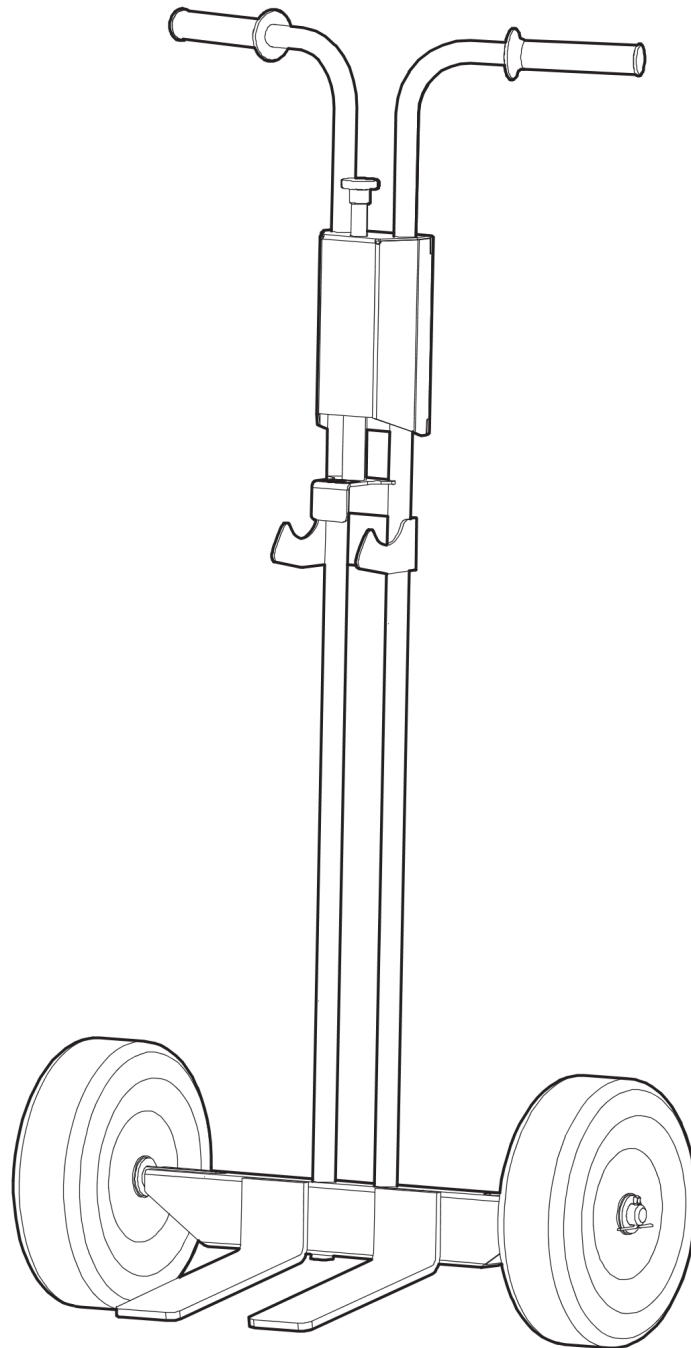
B || Direction

Service, repair and wear part kits Air filter indicator and hour meter kit



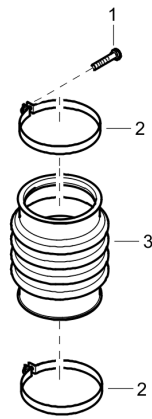
Item	Part No.	Name	Qty	L
1	595363801	Indicator and hour meter kit	1	

Service, repair and wear part kits Trolley



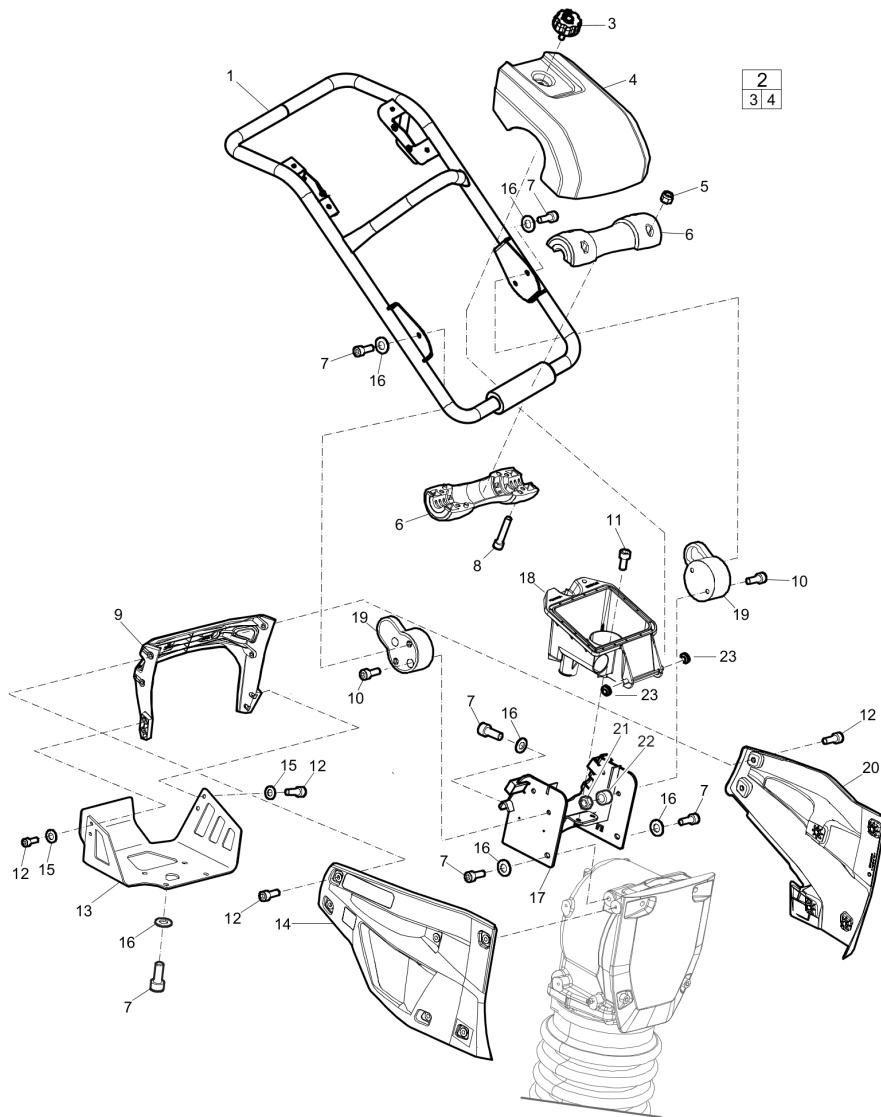
Item	Part No.	Name	Qty	L
1	595519401	Trolley	1	

Service, repair and wear part kits Repair kit, Bellows



Item	Part No.	Name	Qty	L
1	595033501	Hexagon bolt	2	
2	594349601	Hose clamp	2	
3	594652001	Bellows	1	

Spare parts list Handle and covers



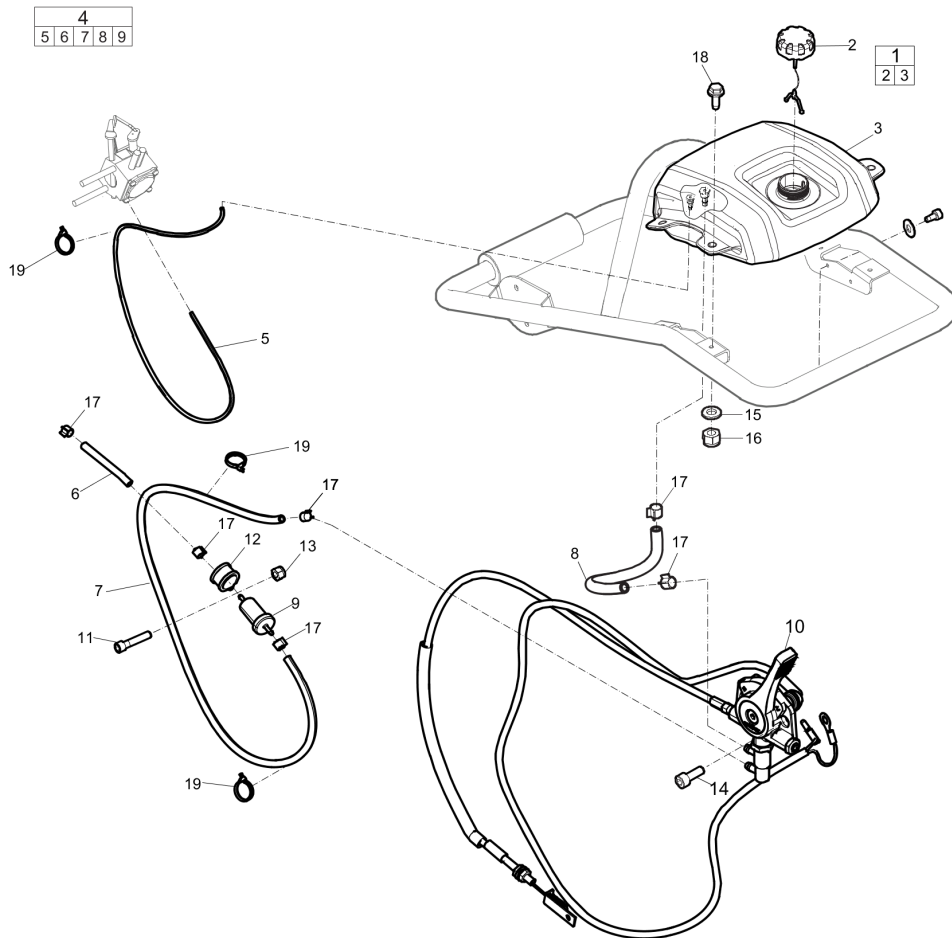
Refer to the Parts Online web page for most up-to-date information. The printed information might be outdated.

Item	Part No.	Name	Qty	L
1	594191501	Handle	1	
2	595276101	Hood, complete	1	
3	594192101	Hood knob	1	
4	-	Hood	1	
5	595036001	Nut	4	
6	594458501	Roller	2	
7	595348301	Screw	12	
8	595111201	Screw, M6x30, 8.8	4	
9	594167301	Rear cover	1	
10	595034501	Hex. Sock. Screw	4	
11	595348101	Hex sock. screw	4	
12	595034201	Screw	16	
13	594959401	Engine cover	1	
14	594167401	Right side cover	1	
15	595036501	Plain washer	4	
16	595036601	Washer DIN125	12	
17	594759801	Top bracket	1	
18	-	Air filter housing	1	A
19	594167001	Shock absorber	2	
20	594167501	Left side cover	1	
21	595035701	Nut DIN934	4	
22	594181501	Distance sleeve	4	
23	596243501	Grommet	2	

Comments for Page: Handle and covers

A || See section " Air filter and engine installation"

Spare parts list Throttle control and fuel system



Item	Part No.	Name	Qty	L
1	594210901	Fuel tank, complete	1	
2	594169901	Fuel cap	1	
3	-	Fuel tank	1	
4	594193701	Fuel hose kit	1	
5	594189601	Fuel hose	1	A
6	594759301	Fuel hose	1	B
7	594189501	Fuel hose	1	C
8	594758901	Fuel hose	1	D
9	594192901	Fuel Filter	1	
10	594189401	Throttle control,complete	1	
11	-	Screw M6 x 20 mm 8.8 A2K	1	
12	594125701	Pipe clamp	1	
13	-	Nut	1	
14	595349701	Countersunk hex. Sock. screw	2	
15	595036501	Plain washer	4	
16	595036001	Nut	4	
17	594125801	Hose clamp	6	
18	594119601	Screw, M6 x 20 mm	4	
19	594126001	Cable tie	3	

Comments for Page: Throttle control and fuel system

(L)OCAL REMARKS

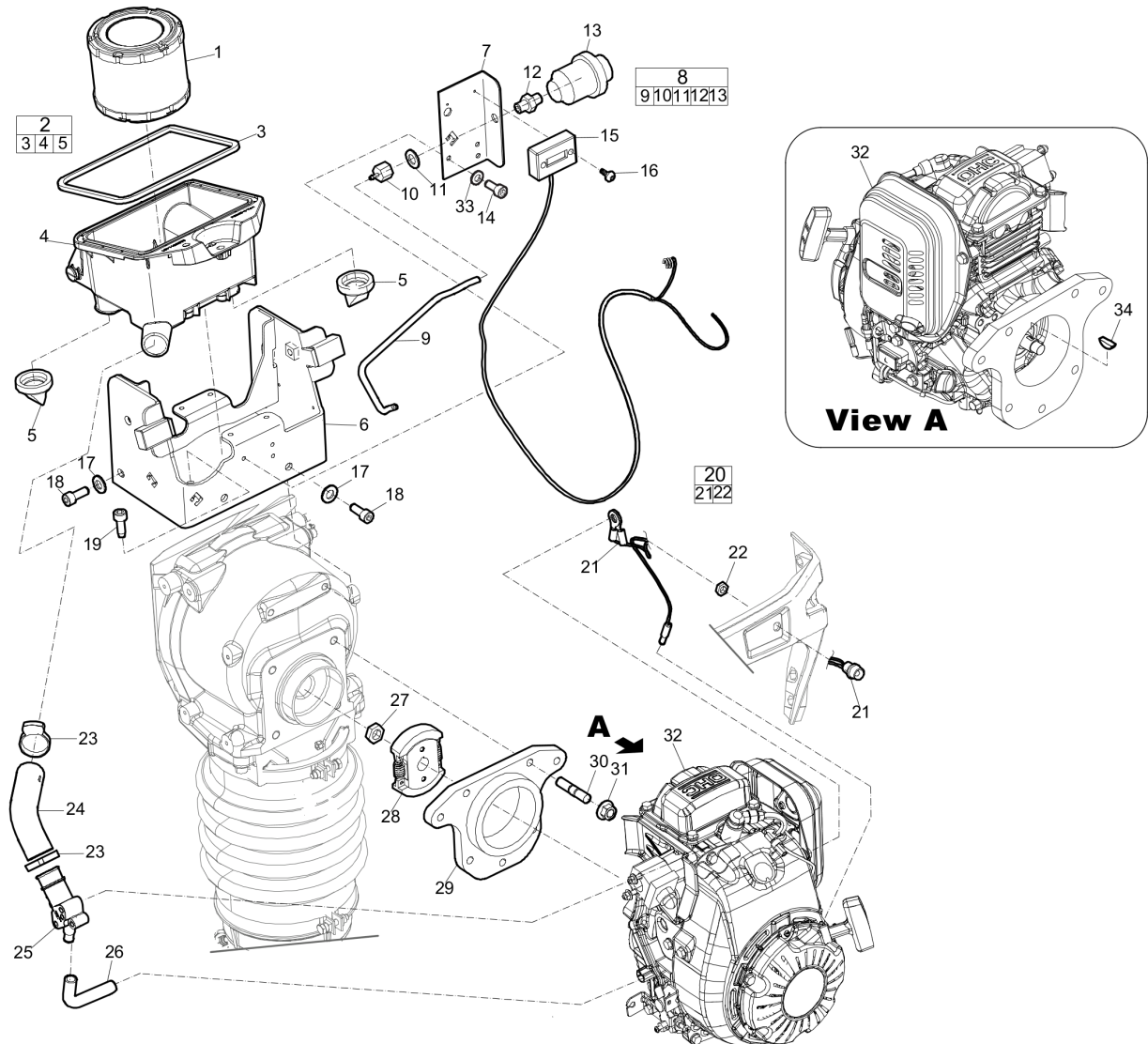
A || L = 920 mm Tygon LP1200 D = (3/32")

B || L = 72 mm Tygon LP1200 D = (3/16")

C|| L =830 mm Tygon LP1200 D = (3/16")

D || L = 180 mm Tygon LP1200 D = (3/16")

Spare parts list Air filter and engine installation

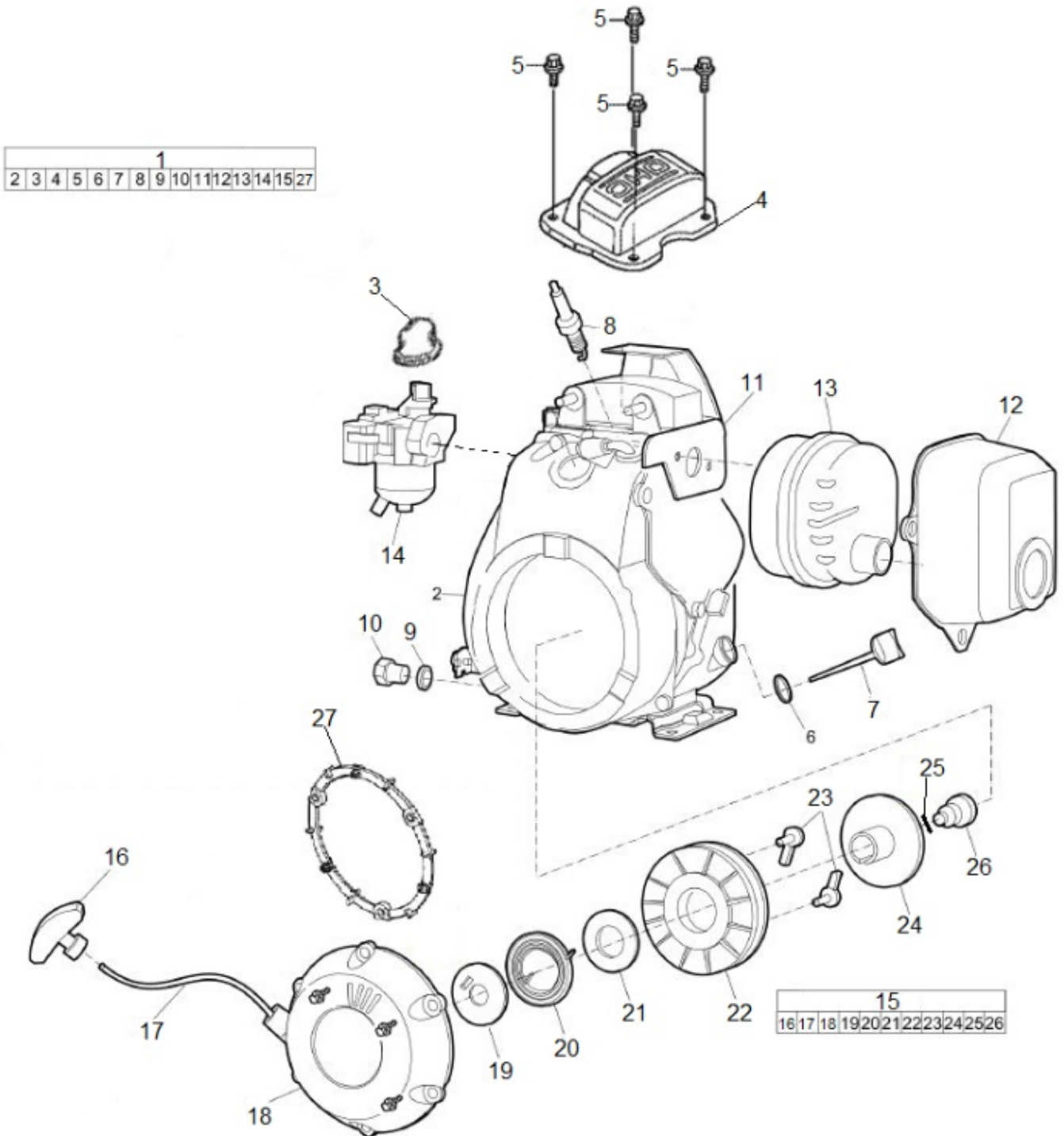


Refer to the Parts Online web page for most up-to-date information. The printed information might be outdated.

Item	Part No.	Name	Qty	L
1	594168701	Air filter, complete	1	
2	594168001	Air filter housing, complete	1	
3	594179001	Gasket	1	
4	-	Air filter housing	1	
5	594169101	Evacuator valve	2	
6	594192201	Handle bracket	1	
7	595363701	Holder	1	
8	594178301	Air filter indicator, complete	1	
9	594171401	Hose	1	
10	594171301	Connection	1	
11	594171201	Washer	1	
12	594171101	Fitting	1	
13	594171501	Air filter indicator	1	
14	595111101	Screw, M6 x 14 mm	3	
15	594169201	Hour meter	1	
16	594121701	Screw, RXK PHIL ST 2.9 x 6.5 mm	2	
17	595043901	Lock washer	4	
18	595348301	Screw	4	
19	595348101	Hex sock. screw	4	
20	594177101	Engine oil indicator, complete	1	
21	-	Wiring harness	1	
22	-	Nut	1	
23	594125901	Hose clamp	2	
24	594168301	Air intake hose	1	
25	594168101	Air hose connection	1	
26	594437601	Hose	1	
27	594122701	Nut, M12 x 1.25 mm A3K	1	
28	594161701	Centrifugal clutch, complete	1	
29	595375801	Engine adapter	1	
30	595463801	Stud, M10 x 47 mm	4	
31	595035501	Nut, fine pitch, M10 x 1.25 mm	4	
32	594177001	Engine, complete Honda GXR120RT KRD6	1	
33	595036501	Plain washer	3	
34	594460001	Key	1	

Refer to the Parts Online web page for most up-to-date information. The printed information might be outdated.

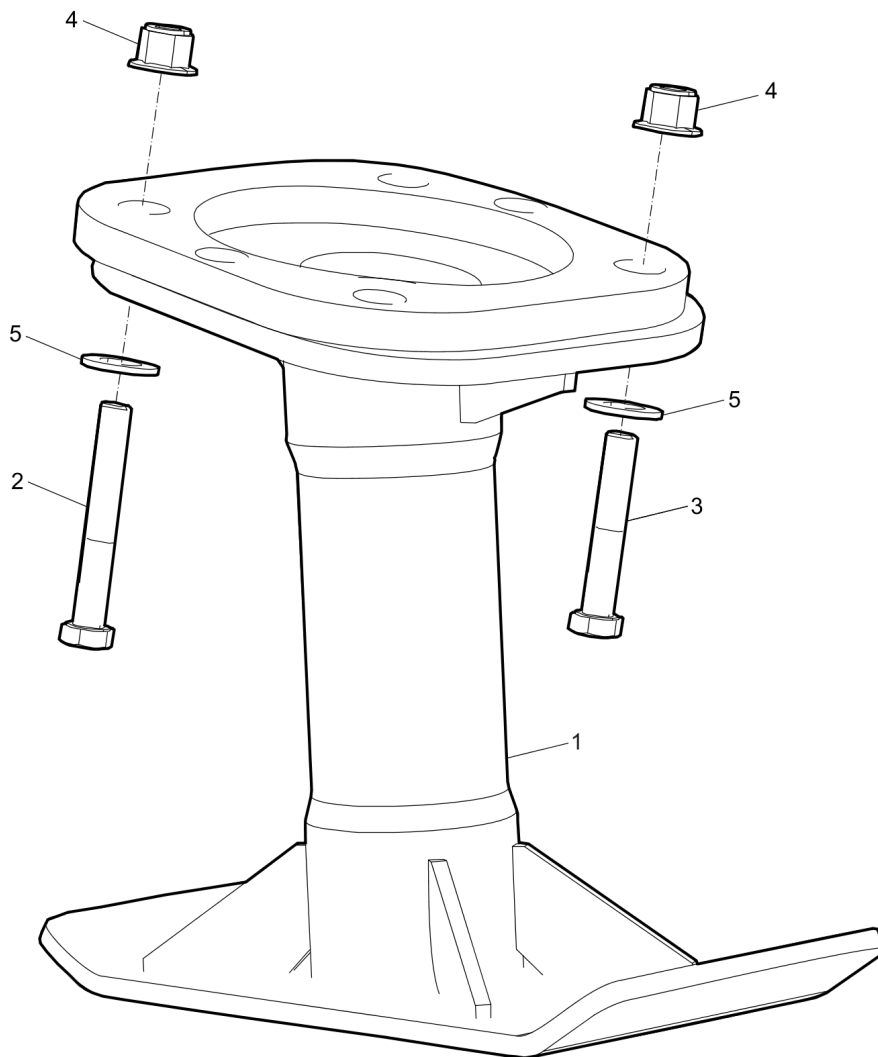
Spare parts list Engine, Honda GXR120



Refer to the Parts Online web page for most up-to-date information. The printed information might be outdated.

Item	Part No.	Name	Qty	L
1	594177001	Engine, complete Honda GXR120RT KRD6	1	
2	--	Engine	1	
3	594189901	Pump primer	1	
4	594191201	Cover, head	1	
5	594191301	Bolt, flange, 6x14 (ct200)	1	
6	595374201	Oil dipstick gasket	1	
7	595374301	Oil Dipstick CPL	1	
8	594190601	Plug, spark (cr5hsb)	1	
9	595048901	Oil plug gasket	1	
10	595374401	Oil plug	1	
11	595372401	Gasket, muffler	1	
12	595129001	Cover	1	
13	595372301	Muffler	1	
14	594213801	carburettor	1	
27	594189801	Spacer, recoil starter mounting	1	
15	594215601	Recoil starter complete	1	
16	594190201	Handle	1	
17	594190301	Rope, recoil starter	1	
18	594190001	Cover black	1	
19	594190501	Plate, slide	1	
20	594190101	Spring	1	
21	594190401	Plate, side	1	
22	595371801	Reel	1	
23	595371901	Ratchet, starter	2	
24	595372001	Guide, ratchet	1	
25	595372101	Spring, friction	1	
26	595372201	Screw, setting	1	

Spare parts list Extended foot

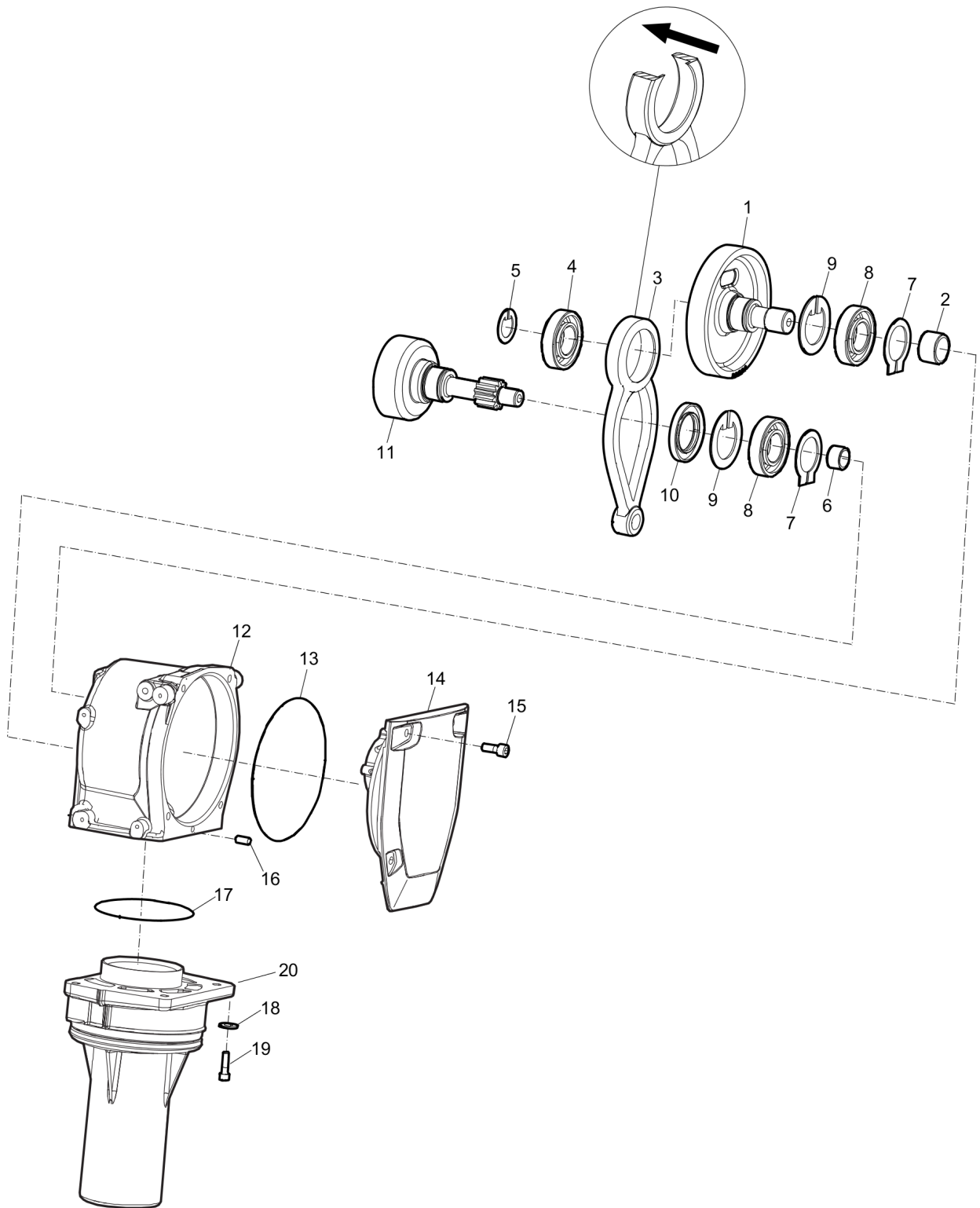


Item	Part No.	Name	Qty	L
1	594477101	Extended foot	1	
2	594546401	Screw, M12 x 90 mm 10.9 GEOMET®	2	A
3	594532401	Screw, M12 x 70 mm 10.9 GEOMET®	4	A
4	-	Nut, M12 x 1.75 mm A3K	6	
5	-	Washer, 13 x 24 x 2 mm, 0.51 x 0.98 x 0.08 in. 300 HV	6	

Comments for Page: Extended foot

A | GEOMET is a registered trademark of Nof Metal Coatings North America Inc.

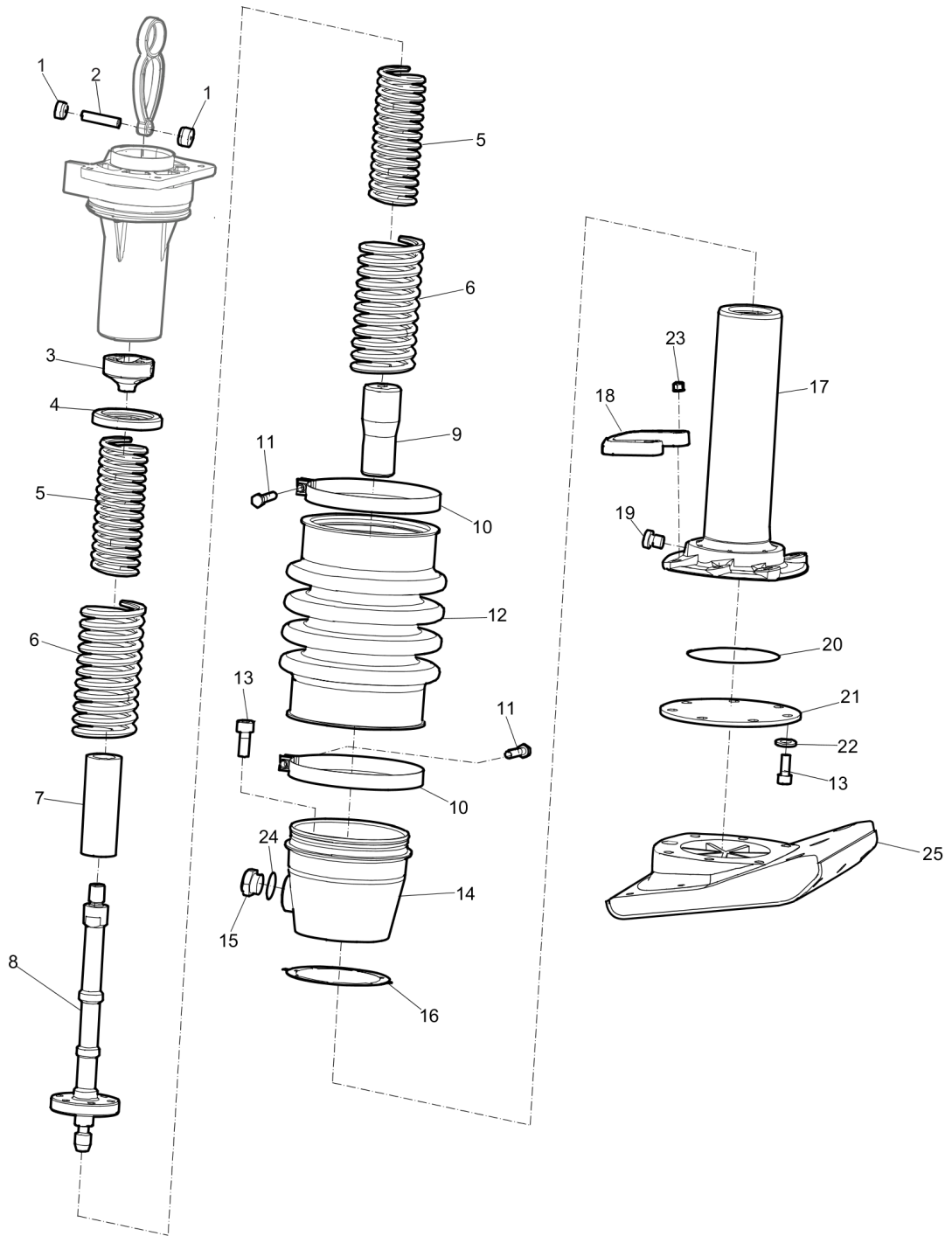
Spare parts list Transmission



Refer to the Parts Online web page for most up-to-date information. The printed information might be outdated.

Item	Part No.	Name	Qty	L
1	594753201	Gear wheel	1	
2	594537401	Needle roller bearing	1	
3	594442201	Connecting rod	1	
4	594258501	Ball Bearing	1	
5	594124701	Circlip	1	
6	594537301	Needle roller bearing	1	
7	595114001	Circlip	2	
8	594531701	Ball Bearing	2	
9	595046201	Retaining ring	2	
10	594537601	Sealing	1	
11	594444001	Shaft	1	
12	594166901	Crankcase	1	
13	595047201	O-ring	1	
14	595362901	Cover	1	
15	595179801	Hexagon socket head cap screw	4	
16	594501701	Pin	1	
17	595046901	O-ring	1	
18	595066701	plain washer	4	
19	595058301	screw M 6	4	
20	594178401	Outer tube	1	

Spare parts list Spring unit

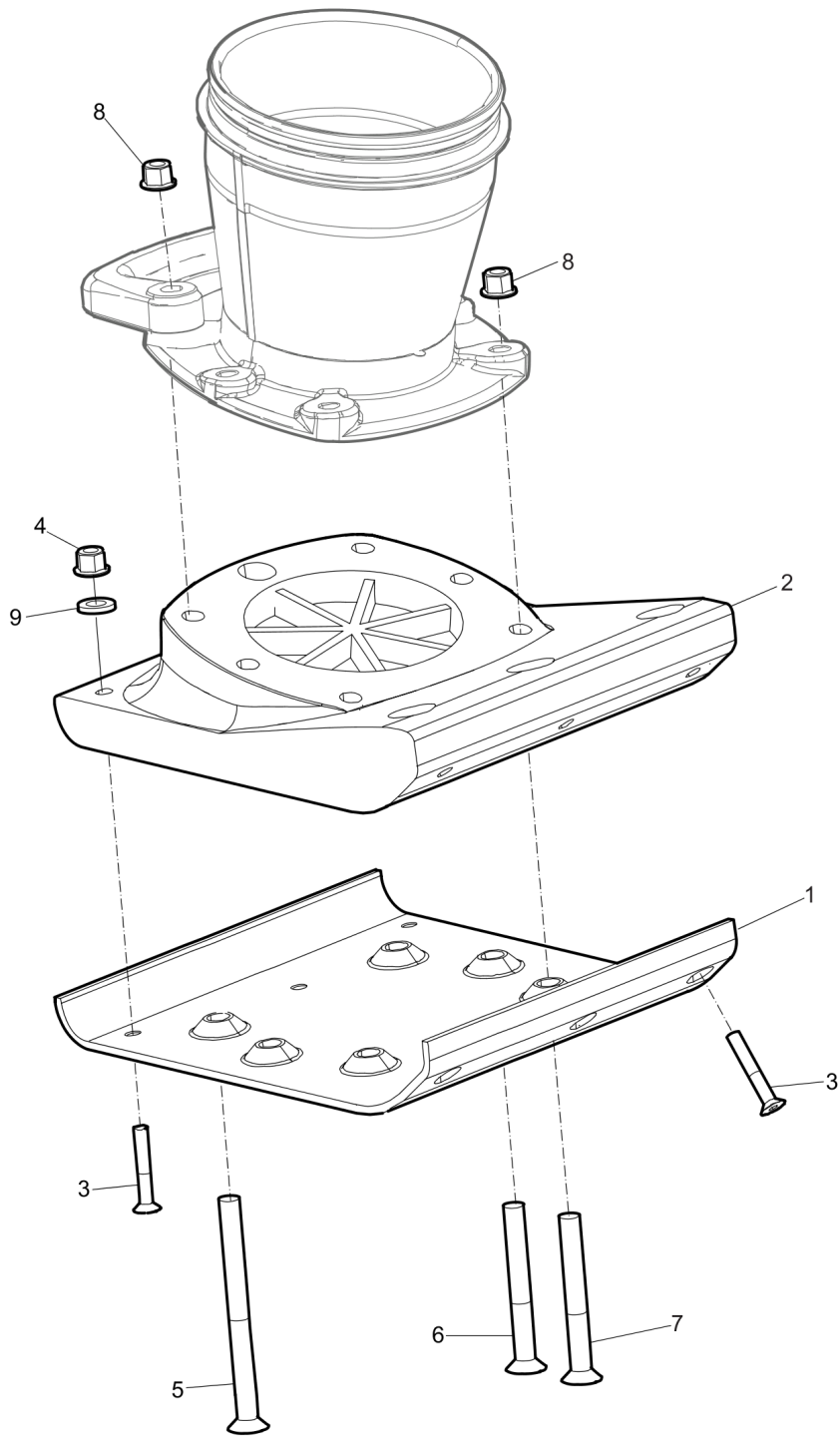


Refer to the Parts Online web page for most up-to-date information. The printed information might be outdated.

Item	Part No.	Name	Qty	L
1	594444301	Plug	2	
2	594444101	Piston bolt	1	
3	594447401	Rod piston head	1	
4	594456301	Lid	1	
5	594441801	Spring	2	
6	594441701	Spring	2	
7	594441901	Stop	1	
8	594456001	Rod piston	1	
9	594442001	Stop	1	
10	594349601	Hose clamp	2	
11	595033501	Hexagon bolt	2	
12	594652001	Bellows	1	
13	595058501	Screw	12	
14	594474301	Bellows support	1	
15	594518501	Sight plug	1	
16	594455901	Gasket	1	
17	594456101	Inner tube	1	
18	594458201	Handle	1	
19	594537501	Plug	1	
20	595047101	O-ring	1	
21	594451101	Lid	1	
22	595047701	Seal ring	6	
23	594123301	Nut, M12, 10.9	2	
24	594518401	Fiber washer	1	
25	594193401	Foot	1	

Refer to the Parts Online web page for most up-to-date information. The printed information might be outdated.

Spare parts list Foot 230 mm (9 in.)



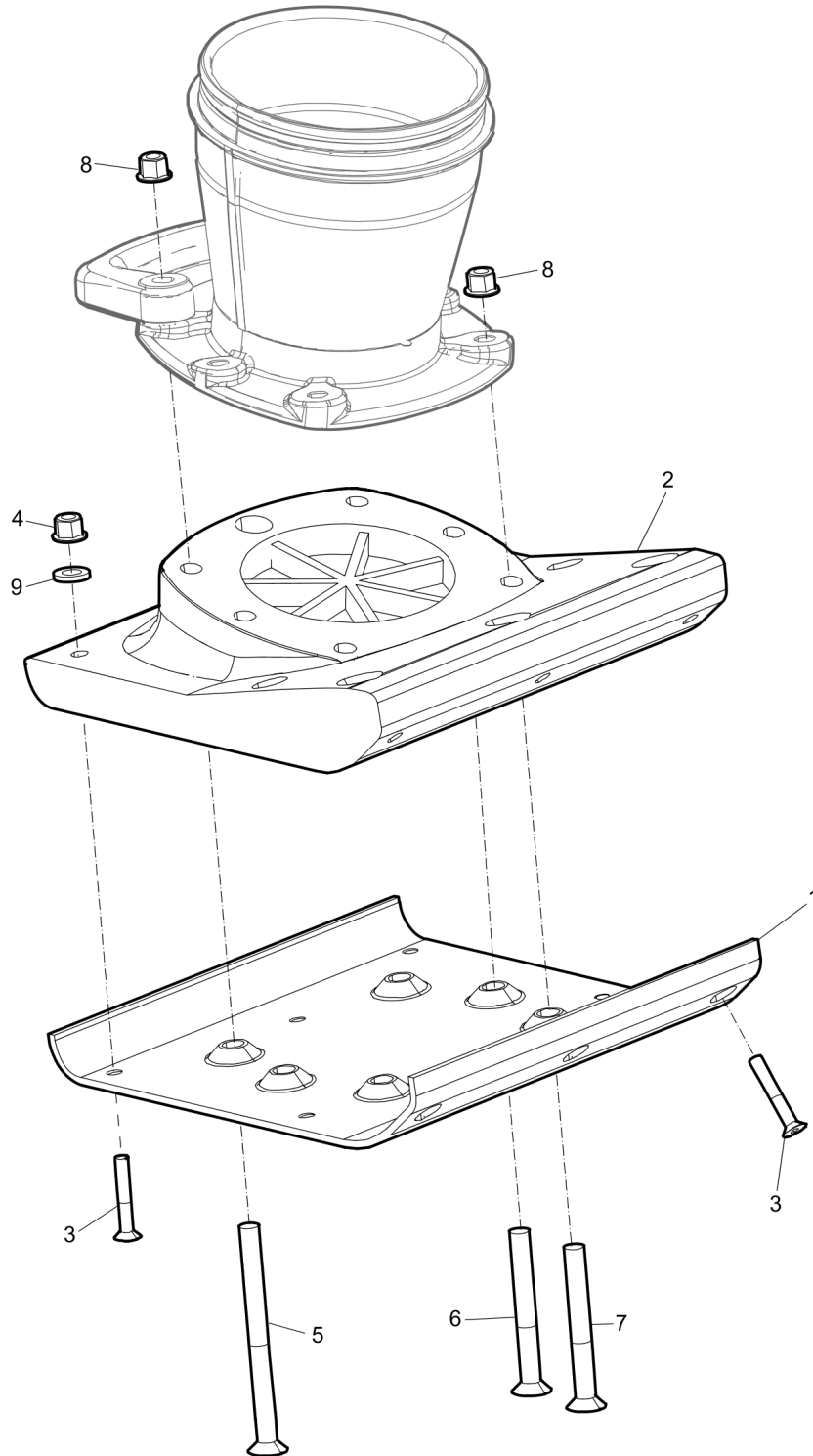
Item	Part No.	Name	Qty	L
1	594452001	Ground plate	1	
2	594452101	Foot	1	
3	594517001	Screw, M8 x 50 mm NYLOK BLUE PATCH™(Known as TUF-LOK® in Europe)	6	A
4	595064601	Lock nut, M8x1.25 mm A2K	6	
5	594517201	Screw, M12 x 150 mm 10.9 GEOMET®	2	B
6	594514301	Screw, M12 x 100 mm 10.9 GEOMET®	2	B
7	594517101	Screw, M12 x 110 mm 10.9 GEOMET®	2	B
8	-	Nut, M12 x 1.75 mm A3K	6	
9	-	Washer, 8.4 x 22 x 3 mm, 0.33 x 0.87 x 0.12 in. HV300	6	

Comments for Page: Foot 230 mm (9 in.)

A | NYLOK BLUE PATCH is a trademark of Nylok Corporation. TUF-LOK is a registered trademark of Nylok Corporation in Europe.

B | GEOMET is a registered trademark of Nof Metal Coatings North America Inc.

Spare parts list Foot 280 mm (11 in.)



Refer to the Parts Online web page for most up-to-date information. The printed information might be outdated.

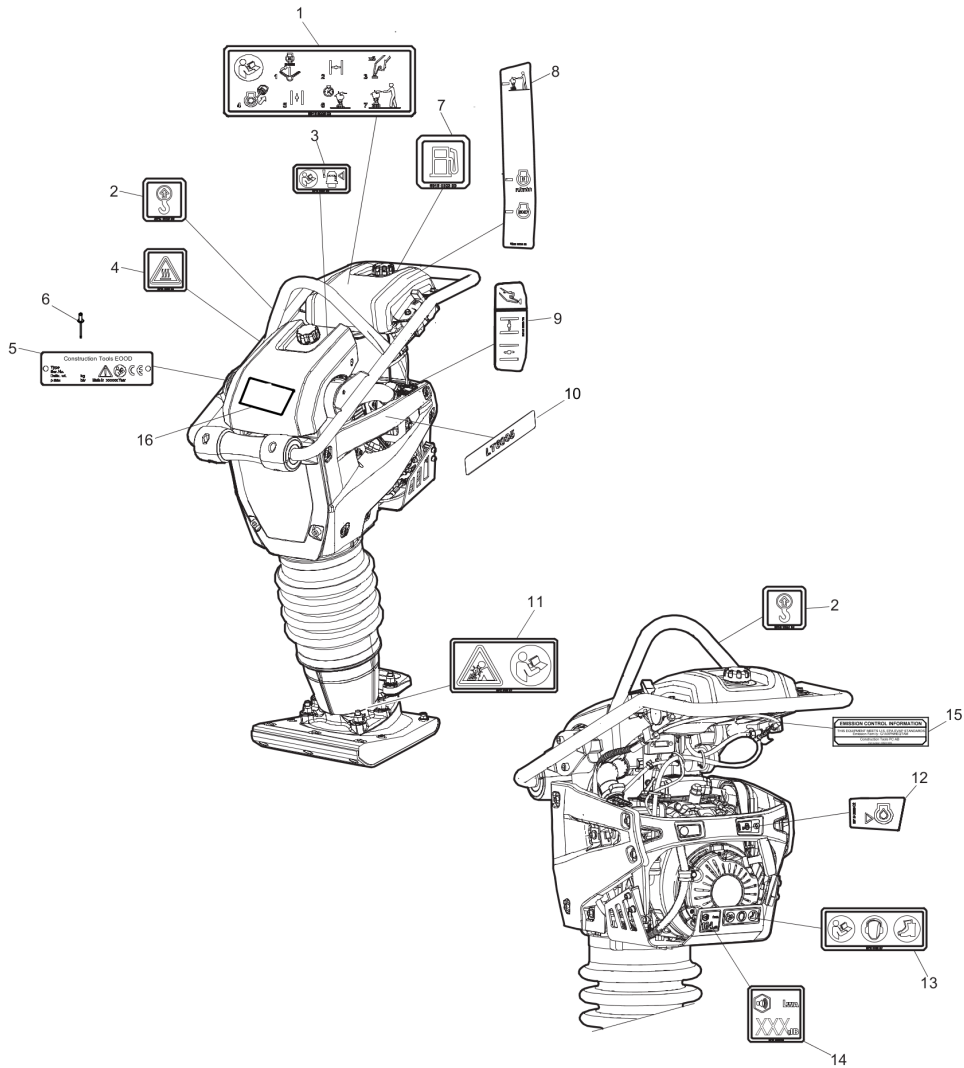
Item	Part No.	Name	Qty	L
1	594451201	Ground plate	1	
2	594451001	Foot	1	
3	594517001	Screw, M8 x 50 mm NYLOK BLUE PATCH™(Known as TUF-LOK® in Europe)	8	A
4	-	Nut, M8 x 1.25 mm A2K	8	
5	594122401	Screw, M12 x 150 mm, 10.9, DIN608	2	B
6	594122201	Screw, M12 x 100 mm, 10.9, DIN608	2	B
7	594122301	Screw, M12 x 110 mm, 10.9, DIN608	2	B
8	594123201	Nut	6	
9	-	Washer, 8.4 x 22 x 3 mm, 0.33 x 0.87 x 0.12 in. HV300	8	

Comments for Page: Foot 280 mm (11 in.)

A | NYLOK BLUE PATCH is a trademark of Nylok Corporation. TUF-LOK is a registered trademark of Nylok Corporation in Europe.

B | GEOMET is a registered trademark of Nof Metal Coatings North America Inc.

Spare parts list Labels



Refer to the Parts Online web page for most up-to-date information. The printed information might be outdated.

Item	Part No.	Name	Qty	L
1	594661401	Label, start instruction	1	
2	594659901	Label, lifting point	2	
3	594660001	Label, air filter indicator	1	
4	594659801	Safety label, hot surfaces	1	
5	-	Data plate (Not available separately)	1	
6	-	Rivet	2	
7	594660201	Label, fuel	1	
8	594660101	Label, start instruction	1	
9	594661101	Label, engine choke and primer pump	1	
10	594172901	Product label "LT 6005"	2	
11	594514401	Safety label, compressed spring package	1	
12	594661301	Label, engine oil indicator	1	
13	594659601	Safety label, read instructions, ear protection and safety boots	1	
14	-	Sound power label	1	
15	594170301	Information label, emission control information	1	
16	595376001	Product label	1	

Any unauthorized use or copying of the contents or any part thereof is prohibited. This applies in particular to trademarks, model denominations, part numbers, and drawings.