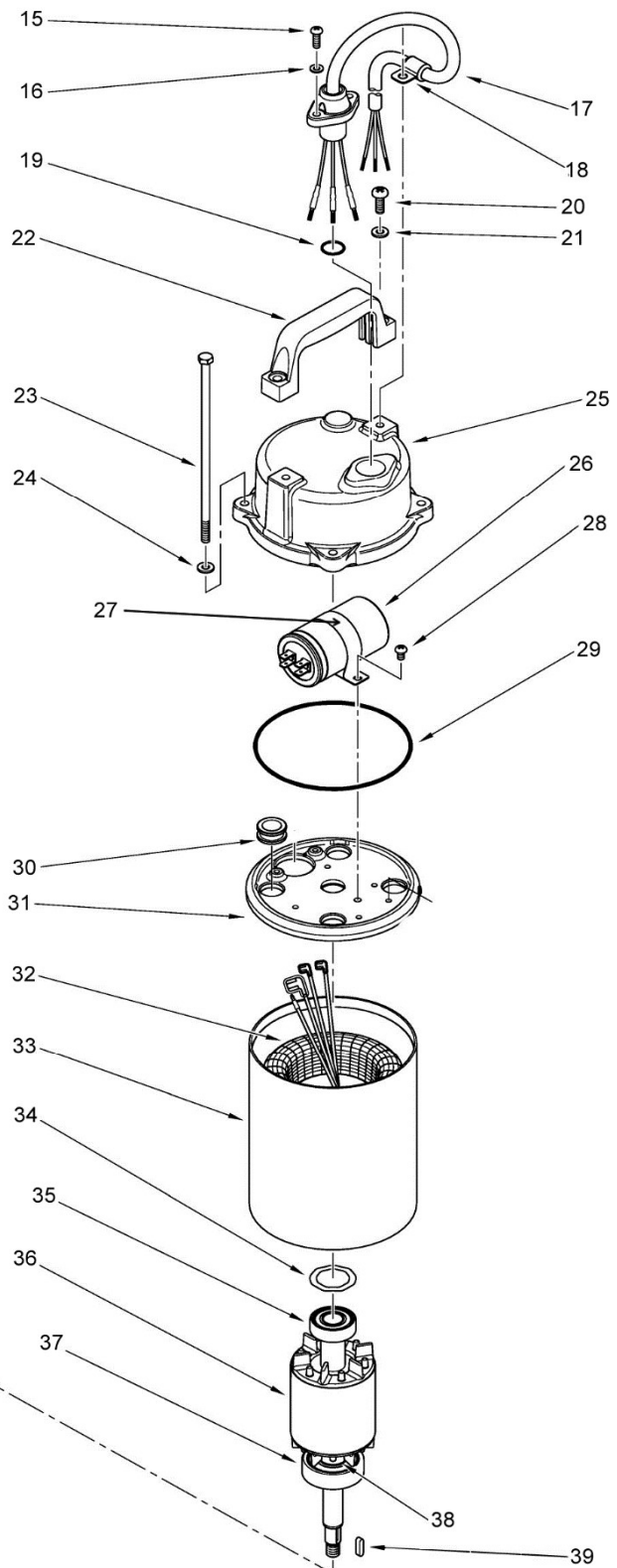


**NOT PICTURED**  
FLANGE KIT - CONSISTING  
OF FLANGE, GASKET, AND  
HARDWARE  
#40





## PARTS BREAKDOWN

Model: SP-40  
2" Submersible Pump

Pos.	Item No.	Description	Qty
1	S60570	O-Ring	1
2	S60453	Bearing Bracket	1
3	S60551	Oil Plug, 1/4*10	1
4	S60576	Hex Bolt, M6*20	3
5	S60491	Mechanical Seal	1
6	S60573	O-Ring	1
7	S60456	M. Seal Bracket	1
8	S60493	Oil Seal	1
9	S60578	Hex Bolt, M6*12	3
10	S60579	Impeller	1
11	S60581	Spring Washer, M10	1
12	S60555	Nut, M10	1
13	S60584	Casing Packing	1
14	S60586	Casing	1
15	S60616	Bolt, M5*15	2
16	S60588	Washer, M5	2
17	S60467	Cable And Plug Assy (30', 16AWG, 3C, SJOW)	1
18	S60598	Cable Clip	1
19	S60600	O-Ring	1
20	S60601	Bolt, M6*25	2
21	S60587	Washer, M6	2
22	S60500	Handle	1
23	S60607	Long Screw, M6*175	4
24	S60587	Washer, M6	4
25	S60450	Upper Cover	1
26	S60478	Running Capacitor	1
27	S60610	Capacitor Clip	1
28	S60614	Bolt, M5*10	1
29	S60617	O-Ring	1
30	S60645	Gasket	1
31	S60619	Bracket	1
32	S60622	Stator Winding	1
33	S60444	Motor Frame	1
34	S60627	Wave Washer	1
35	S60487	Bearing	1
36	S60630	Shaft End	1
37	S60489	Bearing	1
38	S60657	Washer, M10	4
39	S60632	Impeller Key, 4*4*13	1
40	S60102	Outlet Flange Kit w/ Gasket, Hardware	1