

# **patron**<sup>TM</sup>

## **FA-8 8" AXIAL FAN**

### **PRODUCT MANUAL**



#### **IMPORTANT**

**READ AND UNDERSTAND THIS MANUAL BEFORE USE.**

**KEEP THIS MANUAL FOR FUTURE REFERENCE.**



**READ AND UNDERSTAND ALL  
WARNINGS AND INSTRUCTIONS  
BEFORE USING THIS AIR MOVER!**

DO NOT allow minors to operate the blower. Bystanders, children and animals should not be allowed in the area where a blower is in use.

DO NOT improperly connect the equipment's grounding conductor. Improper connection can result in a risk of fire, electrical shock, or personal injury.

DO NOT use an undersized wire size on electrical power cable or extension cords if used. This will adversely limit the starting and load carrying capabilities of the motor. Always use the minimum AWG wire size that is specified for this machine.

DO NOT operate the blower without the inlet and outlet screens properly secured and in place.

DO NOT put any objects into openings. Do not use with any opening blocked; keep free of dust, lint, hair and anything that may reduce air flow. Keep hair, loose clothing, fingers and all parts of the body away from opening and moving parts.

DO NOT stand directly in front of and/or face the blower outlet. Personal injury may result from debris being thrown from the blower fan at high velocity.

DO NOT use electrical transformer to modify or alter the motor's frequency (Hz).

DO NOT place machine near flammable materials and vapors. Do not use or store this machine with or near fuels, grain dust, solvents, thinners, or other flammable materials. Do not use flammables to clean this machine.

DO NOT immerse or use this unit in standing water. Such use may cause electrical shock. To avoid electrical shock do not expose the unit to rain - store it indoors only. Do not expose the unit to freezing temperatures.

DO NOT drop or throw the unit. Treatment of this type can cause damage to the components and create hazardous conditions.

DO ensure the blower is in its original, factory configuration and has not been modified. Any modifications may result in potentially dangerous configurations that can lead to property damage and/or personal injury. As well as voiding the manufacturer's warranty.

DO only use PATRON approved replacement parts to repair / replace parts on this machine.

DO wear sturdy and snug fitting clothing. Never wear loose fitting clothing or anything that could become caught on controls and moving parts. Wear long pants to protect legs. To improve your grip and protect your hands, wear heavy duty, non-slip gloves. DO wear steel-toed safety boots with non-slip shoes. Sneakers or other similar type shoes do not provide adequate protection.

DO wear an approved safety hard hat. Noise generated by the blower may damage your hearing. Wear sound barriers (ear plugs or ear muffs). Continuous and regular operators should have their hearing checked regularly.

DO a visual inspection of the blower and check for damaged, worn, loose, and/or broken parts. Ensure all safety devices are operable and information decals are readable. Check to see the blower and all related accessories are in good mechanical condition before use.

DO verify that the blower uses appropriate electrical cord and NEMA plug. For maximum protection against electrical shock, use a circuit that is protected by a ground fault circuit interrupter (GFCI). Electrically drive blowers (A.C.), are designed to operate ONLY from a grounded 115 volt AC, 60Hz single-phase power source.

DO place the blower on secure footing to prevent it from shifting while in use. Such movement can cause injury to the operator(s) or damage the blower itself.

DO turn off all controls before unplugging.

## **OPERATION:**

Blower comes completely assembled and ready to operate. Inspect all components for any damage that may occur during shipping. Plug blower into a standard grounded outlet with the correct voltage and amperage. If you are unsure about the outlet, contact your supervisor. Turn on the switch and check that the unit operates properly before operation.

## **GROUNDING INSTRUCTIONS:**

This machine must be grounded. If it should malfunction or break down, grounding provides a path of least resistance for electric current to reduce the risk of electric shock. This machine is equipped with a cord having an equipment-grounding conductor and grounding plug. The plug must be inserted into an appropriate outlet that is properly installed and grounded in accordance with all local codes and ordinances.

Improper connection of the equipment-grounding conductor can result in a risk of electric shock. Check with a qualified electrician or service person if you are in doubt as to whether the outlet is properly grounded. Do not modify the plug provided with the machine if it will not fit the outlet; have a proper outlet installed by a qualified electrician. This machine is designed to operate on a standard 15 AMP, 115 Volt, 60 Hz, AC Circuit. Voltage below 105 Volt AC or above 125 Volts AC could cause serious damage to the motor.

## **EXTENSION CORDS:**

Use only three-wire 12/3 or larger gauge approved extension cords that have three-prong grounding type plugs and three-pole receptacles that accept the machine's plug. Replace or repair any damaged cords or plugs.

## **MAINTENANCE:**

Inspect the electrical cord and wiring for damage discoloration.

Inspect for loose fasteners.

Clean screens on the side and front of the unit.

Turn on unit and listen for abnormal sounds.

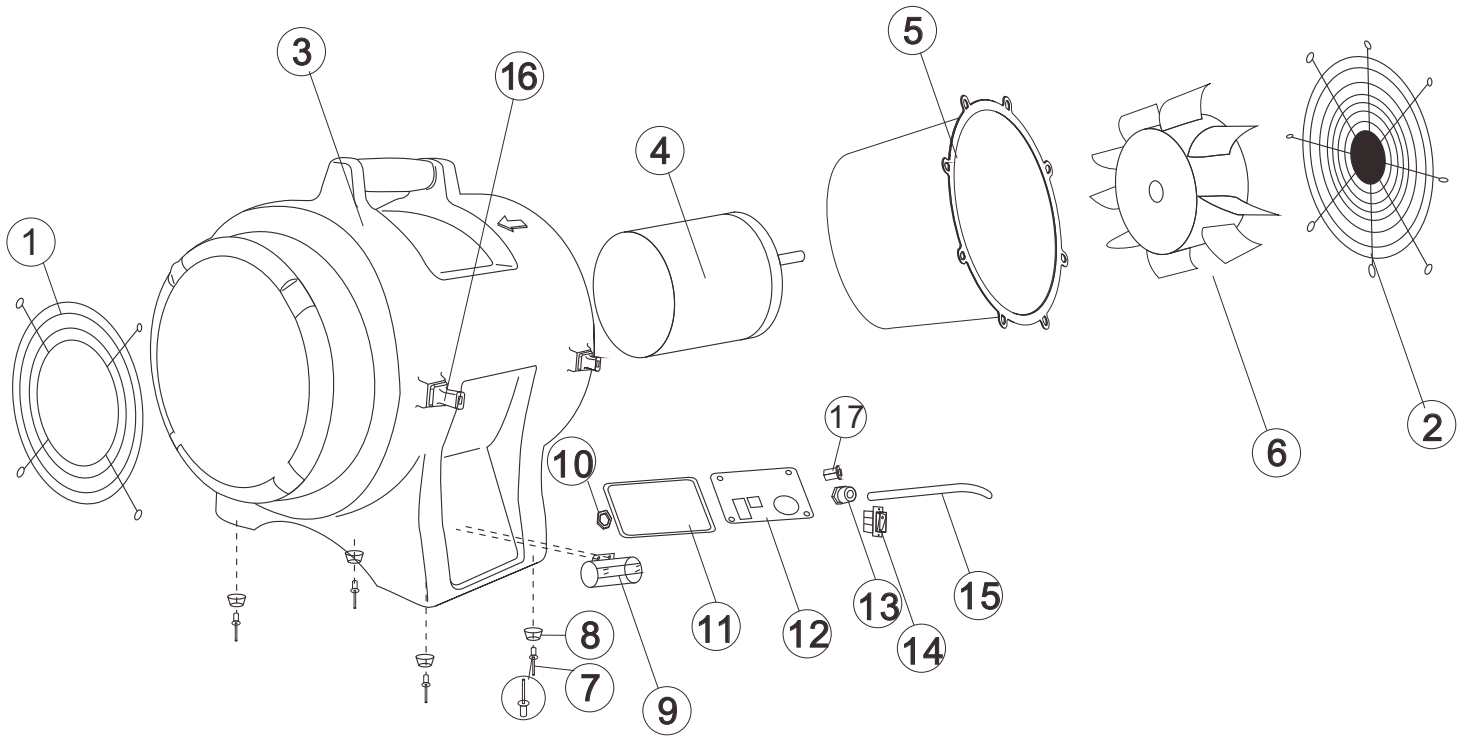
Keep polythelene chassis clean.

Use compressed air or a vacuum to remove lint and other debris from the motor, screen and blower wheel. Do not use a pressure washer to clean the unit.

## TROUBLESHOOTING:

PROBLEM	CAUSE	SOLUTION
Unit will not turn on.	1. No power to unit. 2. Switch not on. 3. Switch is faulty. 4. Faulty/broken cord or motor wire	1. Plug unit in. Check circuit breaker. 2. Place in "ON" position. 3. Replace switch. 4. Perform continuity check, using volt/amp meter. Repair/replace broken wire.
Unit runs but fan makes loud scraping noise.	1. Unit has been severely dislodged causing fan to rub against housing / vane motor mount. 2. Vane motor mount has been severely deformed.	1. Remove wire grill and reinstall or replace fan blade. 2. Reinstall or replace Vane motor mount.
Unit runs but vibrates excessively.	1. Dislodging has bent motor position causing unit to be out of balance. 2. Motor is damaged.	1. Reinstall motor with new mounts. 2. Replace Motor.
Unit runs but motor does not turn.	1. Motor bearings are failing or motor has developed an internal electrical fault. 2. Intake grill and/or exhaust grill obstructed.	1. Remove and replace motor. 2. Remove obstruction.

**PARTS DIAGRAM:**



ITEM NUMBER	PART NUMBER	DESCRIPTION	QTY	ITEM NUMBER	PART NUMBER	DESCRIPTION	QTY
1	F1034	WIRE GRILLS INLET	1	10	F1026	NUT, HEX	1
2	F1035	WIRE GRILLS OUTLET	1	11	F1027	GASKET	1
3	F1036	PLASTIC CASING	1	12	F1028	SWITCH PLATE	1
4	F1037	AC MOTOR	1	13	F1004	STRAIN RELIEF	1
5	F1038	VANE MOTOR MOUNT	1	14	F1030	SWITCH ASSEMBLY	1
6	F1039	FAN BLADE	1	15	F1031	POWER CORD	1
7	F1040	RIVET	4	16	F1056	CLIP	4
8	F1024	RUBBER FOOT	4	17	F1058	CIRCUIT PROTECTOR	1
9	F1042	CAPACITOR	1				

## TECHINICAL SPECIFICATIONS:

FA-8 8" AXIAL FAN			
<b>CERTIFICATION</b>	cETLus	<b>WEIGHT</b>	17lbs
<b>HP</b>	1/3HP	<b>CORD LENGTH</b>	15FT
<b>VOLTS</b>	115V	<b>AWG</b>	18 AWG 3-Prong
<b>CYCLE</b>	60 Hz	<b>CFM FREE AIR</b>	1100
<b>RPM</b>	3450	<b>CFM ONE 90° Bend</b>	600
<b>AMPS</b>	2.1	<b>CFM TWO 90° Bend</b>	400

## LIMITED WARRANTY:

PATRON air mover products are professional construction air movers. They are warranted for twelve (12) months from original date of purchase. The warranty does not cover products modified outside our factory, damage or failure caused by acts of God, abuse, misuse, use on other than rated voltage, abnormal usage, faulty or improper installation, failure to provide recommended maintenance or any repairs other than those provided by an authorized PATRON service.

THERE ARE NO OBLIGATIONS OR LIABILITIES ON THE PART OF PATRON PRODUCTS INC. FOR CONSEQUENTIAL DAMAGES ARISING OUT OF OR IN CONNECTION WITH THE USE OR PERFORMANCE OF THE PRODUCT OR OTHER INDIRECT DAMAGES WITH RESPECT TO LOSS OF PROPERTY, REVENUES, OR PROFIT, OR COST OF REMOVAL, INSTALLATION OR REINSTALLATION.

THIS WARRANTY CONSTITUTES THE EXCLUSIVE REMEDY OF ANY PURCHASER OF EQUIPMENT SOLD BY THE MANUFACTURER AND ITS DEALERS AND DISTRIBUTORS AND IS IN LIEU OF ALL OTHER WARRANTIES, EXPRESS OR IMPLIED.

During the warranty period, Patron Products will, at its sole option, repair or replace any defective parts or products returned, freight prepaid, to Patron Products or such other location as Patron Products may designate.

Returned products must be packaged carefully, and Patron Products shall not be responsible for damage in transit. When returning parts, the owner must provide the model number of the product and the nature of difficulty being experienced. This warranty does not oblige Patron Products to bear the cost of labour in replacing any assembly, unit or component or part thereof, nor does the company assume any liability for secondary charges, expenses of removal or installing, freight or damages. There will be charges rendered for product repair after our warranty period has expired. Proof of purchase, including date, must accompany request for in-warranty service.

# **PATRON PRODUCTS**

A DIVISION OF RENTQUIP

1-800-818-1199

[www.patronproducts.com](http://www.patronproducts.com)