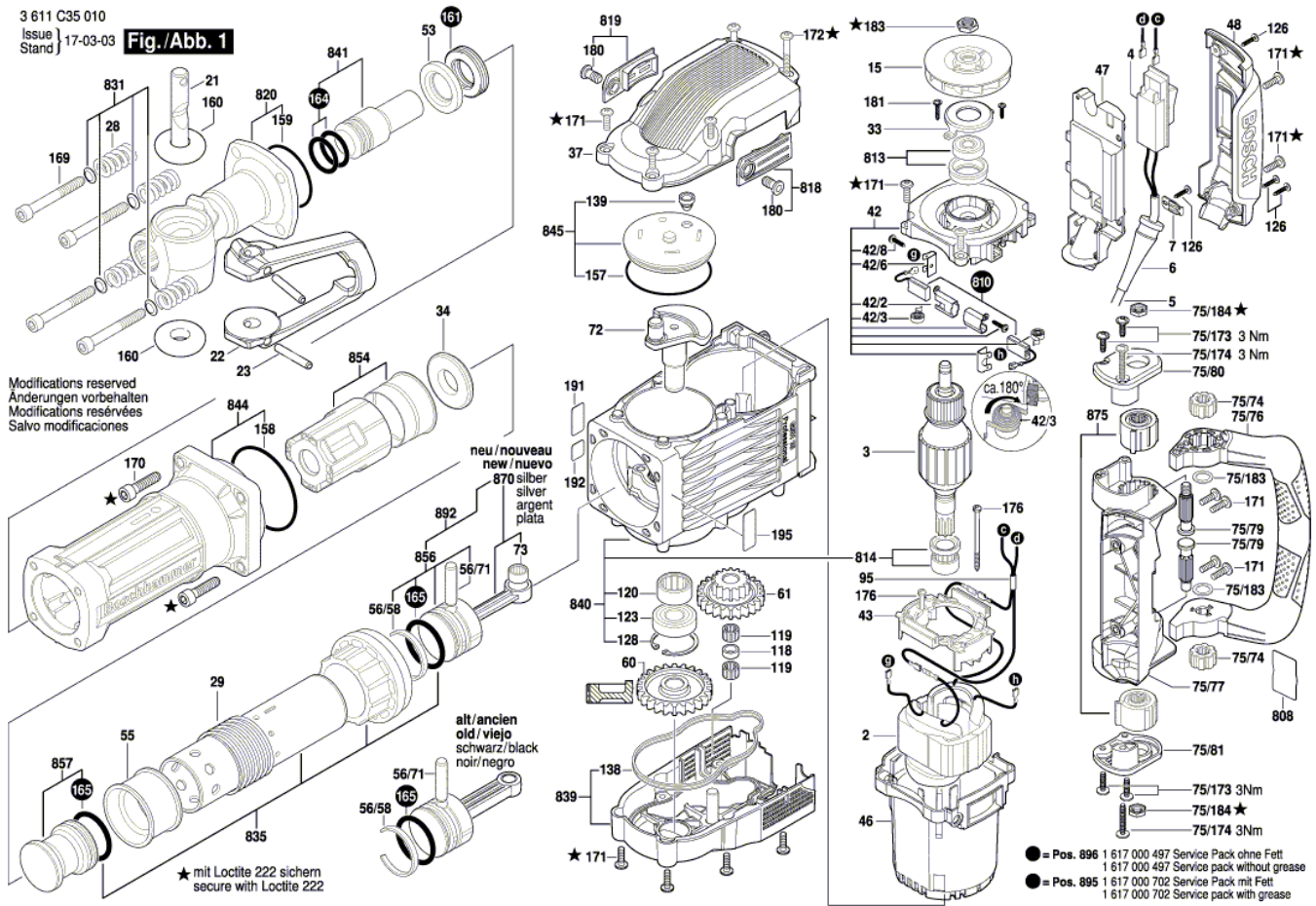




3 611 C35 010
Issue
Stand | 17-03-03

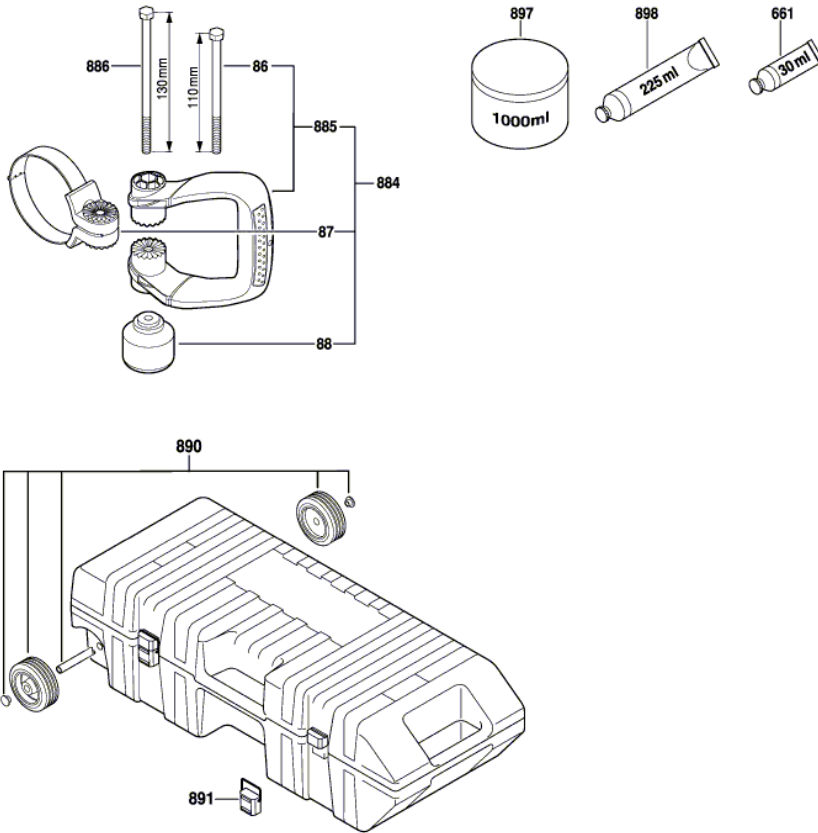
Fig./Abb. 1





3 611 C35 010
Issue 15-12-09
Stand

Fig./Abb. 2



Modifications reserved
Änderungen vorbehalten
Modifications réservées
Salvo modificaciones



Pos.	Part Number	Description	Pos.	Part Number	Description
2	1 604 220 52N	Field	161	1 610 290 118	Damping Ring
3	1 614 011 118	Armature	164	1 610 210 194	O-Ring
4	1 607 200 244	Switch	165	1 610 210 195	O-Ring
5	1 614 461 033	Power supply cord	169	1 613 414 022	Hex Socket Head Cap Screw
6	1 610 703 053	Grommet	170	1 613 414 023	Hex Socket Head Cap Screw
7	1 601 302 018	Fastening Clamp	171	1 613 490 010	Torx Oval-Head Screw
15	1 616 610 102	Fan	172	1 613 490 011	Torx Oval-Head Screw
21	1 613 103 004	Locking Bolt	176	1 603 435 036	Tapping Screw
22	1 618 045 026	Retaining Bracket	180	1 613 490 007	Clamp Screw
23	2 917 760 187	Slotted Spring Pin	181	2 603 490 022	Screw
28	1 614 614 006	Compression Spring	183	1 613 349 020	Hex Nut
29	1 614 614 007	Compression Spring	191	1 611 110 D15	Warning Plate
33	1 611 006 008	Holding Plate	192	1 601 110 618	Reference Plate
34	1 610 102 635	Supporting Disc	195	1 611 110 D43	Sticker
37	1 615 500 380	Fan Cover	661	1 615 430 010	Grease Tube
42	1 614 336 078	Brush Holder	808	1 601 11A 3H3	Nameplate
42/2	1 614 336 017	Brush Guide	810	1 617 014 143	Carbon-Brush Set
42/3	1 614 652 007	Spiral Spring	813	1 617 000 480	Bearing
42/6	1 611 390 005	Connector	814	1 617 000 481	Bearing
42/8	2 912 401 412	Tapping Screw	818	1 617 000 482	Brush-Cover
43	1 610 508 054	Spacer	819	1 617 000 483	Brush-Cover
46	1 615 106 053	Motor Housing	820	1 617 000 499	Toolholder
47	1 618 000 029	Base Plate	831	1 617 000 A4Z	Plain Washer
48	1 615 500 383	Housing Cover	835	1 617 000 709	Guide Tube
53	1 610 190 058	Stop Disc	839	1 617 000 489	Gear Cover
55	1 610 506 019	Control Bushing	840	1 617 000 490	Gear Housing
56/58	1 610 500 023	Retaining snap ring	841	1 617 000 491	Striker Pin
56/71	1 613 101 012	Piston Pin	844	1 617 000 492	Hammer Pipe
60	1 616 317 086	Cylindrical Gear	845	1 617 000 710	Sealing cap
61	1 616 317 093	Cylindrical Gear	854	1 617 000 740	Spacer Tube
72	1 600 A01 4TW	Eccentric Shaft	856	1 607 000 C3N	Hammer Piston
73	1 600 A00 14G	Needle bearing	857	1 617 000 495	Striker
75/74	1 613 060 049	Splined coupling	870	1 607 000 C3P	Connecting Rod
75/76	1 618 045 022	Strap-Shaped Handle	875	1 617 000 496	Rubber Torsion-Bar
75/77	1 615 805 069	Bearing Pedestal	884	1 602 025 08K	Auxiliary Handle
75/79	1 613 060 050	Toothed Shaft	885	1 605 132 163	Handle
75/80	1 615 500 376	Bearing cover	886	2 911 011 270	Hex Screw
75/81	1 615 500 377	Bearing cover	890	1 617 000 716	Wheel Set
75/173	1 613 490 008	Torx Oval-Head Screw	891	1 617 000 715	Lock
75/174	1 613 490 009	Torx Oval-Head Screw	892	1 607 000 C3M	Hammer Piston
75/183	2 916 280 013	Supporting Disc	895	1 617 000 702	Wear and Tear Part Set
75/184	1 613 349 021	Hex Nut	896	1 617 000 497	Wear and Tear Part Set
86	2 911 021 267	Hex Screw	897	1 615 430 016	Lubricating Grease
87	1 600 A00 AR5	Clamping Band	898	1 615 430 015	Grease Tube
88	1 613 349 017	Star Knob			
95	1 614 448 038	Connecting Cable			
118	1 610 520 003	Spacer Tube			
119	1 610 913 020	Needle-Roller Assembly			
120	1 610 910 092	Needle-Roller Bearing			
123	1 610 900 030	groove ball bearing			
126	2 603 490 023	Torx Oval-Head Screw			
128	2 916 660 021	Spring retaining ring			
138	1 611 015 059	Sealing Frame			
139	1 610 508 050	Plug			
157	1 610 210 192	O-Ring			
158	1 610 210 191	O-Ring			
159	1 600 210 005	O-Ring			
160	1 610 210 008	O-Ring			