

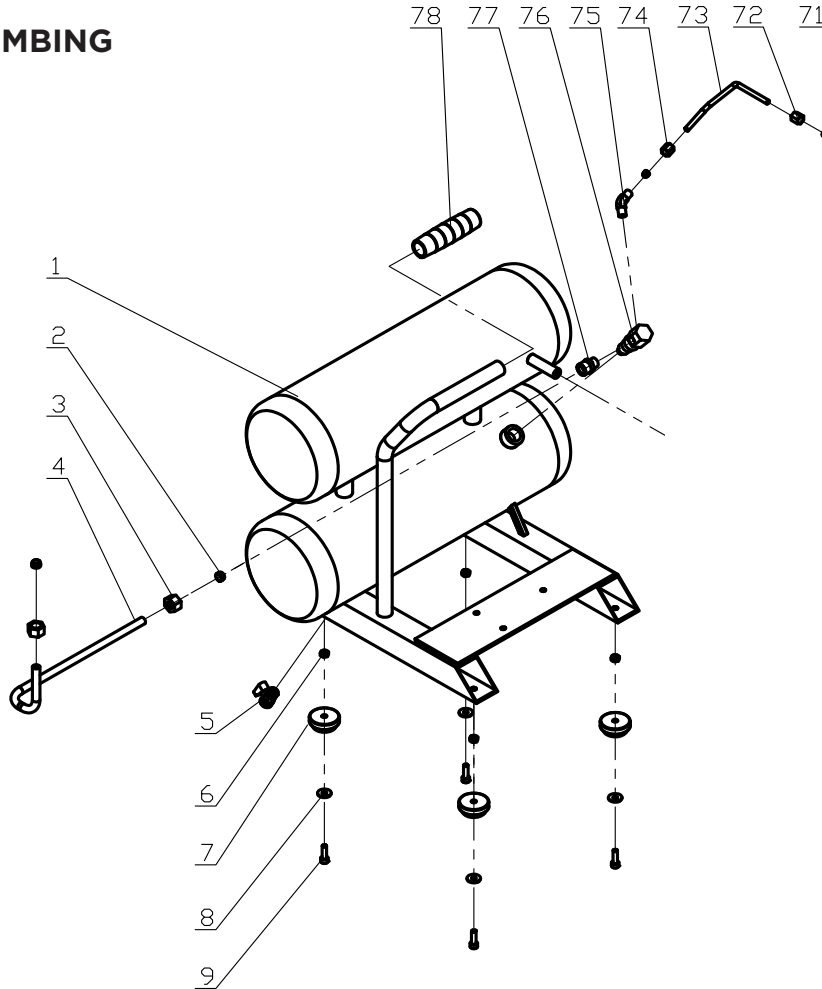


PARTS BREAKDOWN AIR COMPRESSOR

MODEL:PA-C2004B

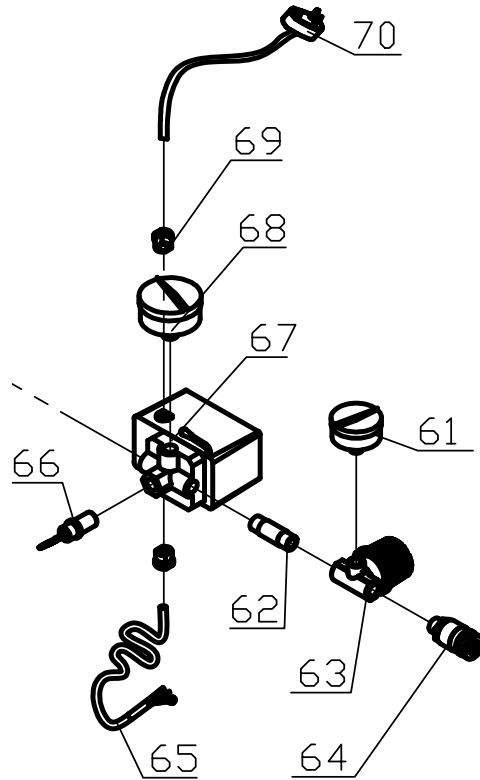


TANK AND PLUMBING



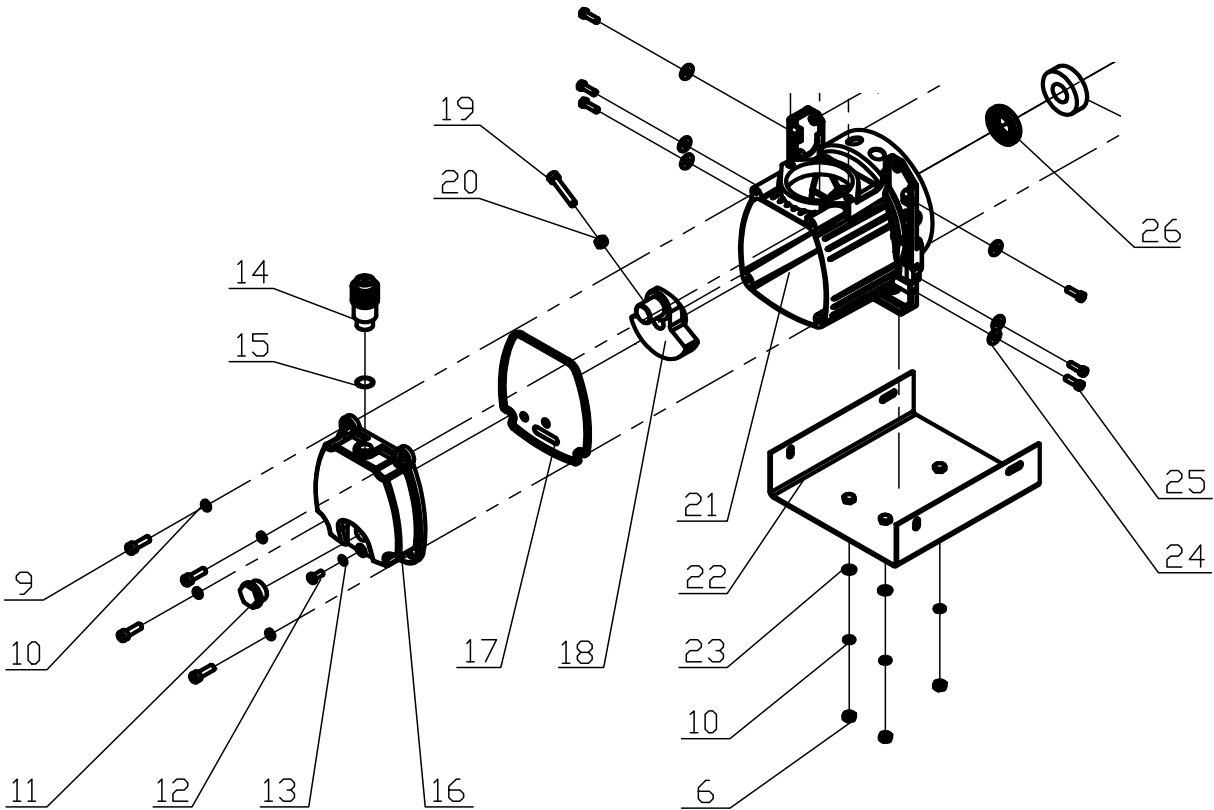
REF #	DESCRIPTION	QTY	BE PART #
2	FERRULE	2	42.001.026
3	NUT	2	
4	TANK BREATHER TUBE	1	
5	TANK DRAIN VALVE	1	42.001.051
6	NUT	4	42.001.027
7	RUBBER FOOT	4	
8	WASHER	4	
9	NUT	4	
71	FERRULE	2	42.001.049
72	NUT	1	
73	DISCHARGE TUBE TO PRESSURE SWITCH	1	
74	NUT	1	
75	CONNECTION	1	
76	CHECK VALVE, 1/2" NPT	1	42.005.066
77	BRASS CONNECTOR	1	42.001.050

PRESSURE SWITCH ASSEMBLY



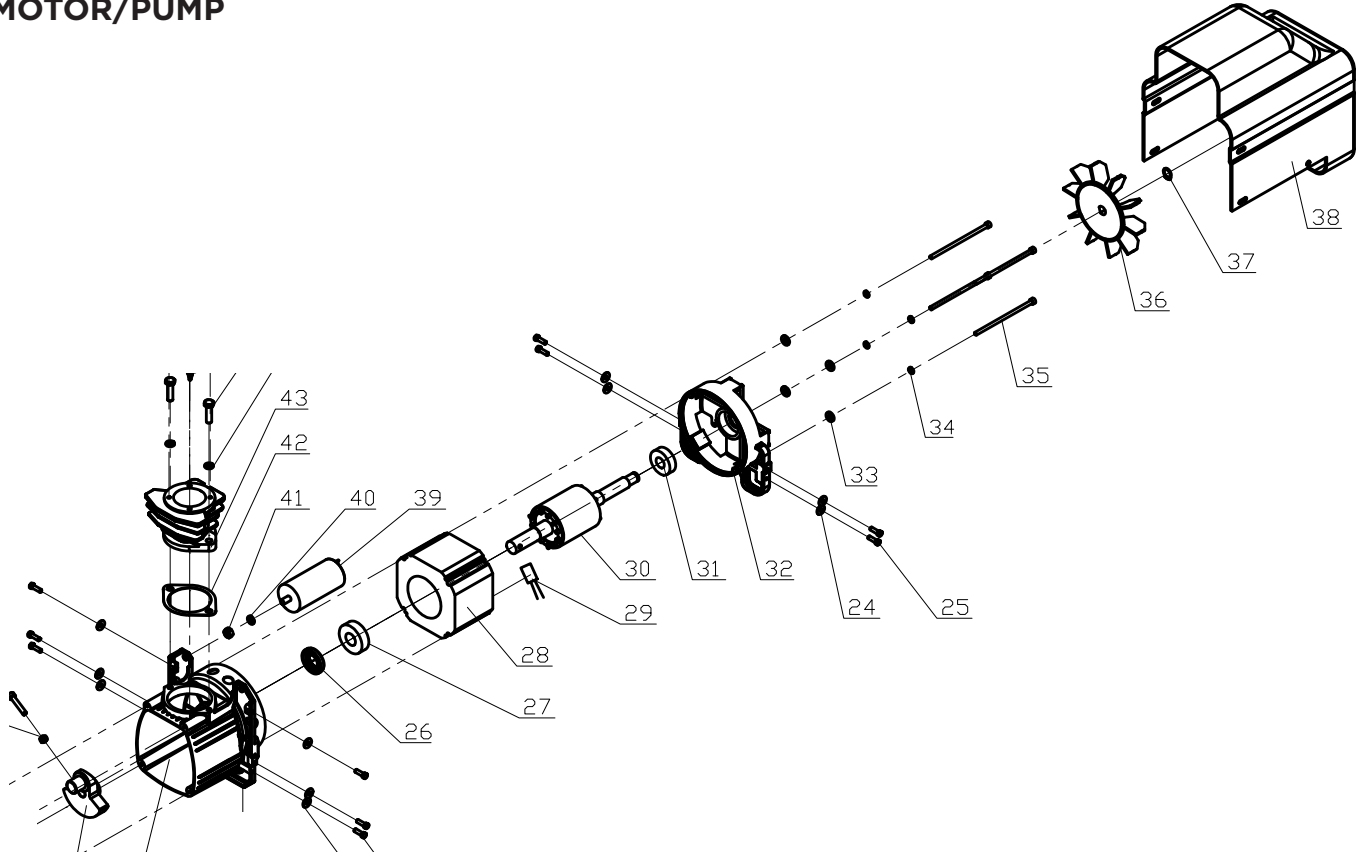
REF NO.	DESCRIPTION	QTY	PART NO.
62	CONNECTION FITTING	1	42.001.044
64	QUICK COUPLER	1	42.001.045
66	PRESSURE SAFETY VAVLE	1	42.001.046
67	PRESSURE SWITCH	1	
68	PRESSURE GAUGE	1	42.001.047
69	STRAIN RELIEF BUSHING	2	42.001.048

PUMP ASSEMBLY



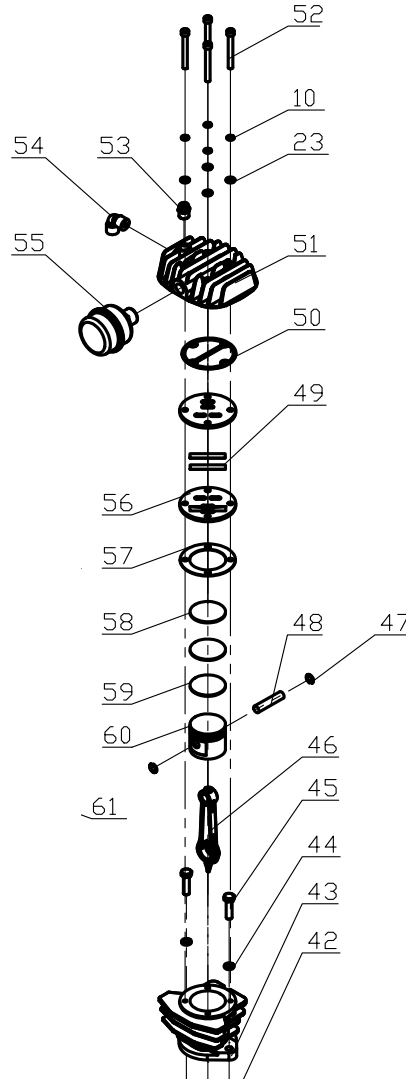
REF NO.	DESCRIPTION	QTY	PART NO.
10	SPRING WASHER	11	42.001.028
11	OIL SIGHT GLASS	1	42.001.029
12	OIL DRAIN BOLT	1	42.001.030
13	O-RING	1	
14	OIL BREATH CAP	1	
15	O-RING	1	
16	REAR FRAME CAP	1	
17	RUBBER SEAL GASKET	1	42.001.031
18	CRANK SHAFT	1	
21	FRAME	1	42.001.032
22	SUPPORT BLOCK	1	42.001.033
23	WASHER	7	42.001.034
26	OIL SEAL	1	42.001.035

MOTOR/PUMP



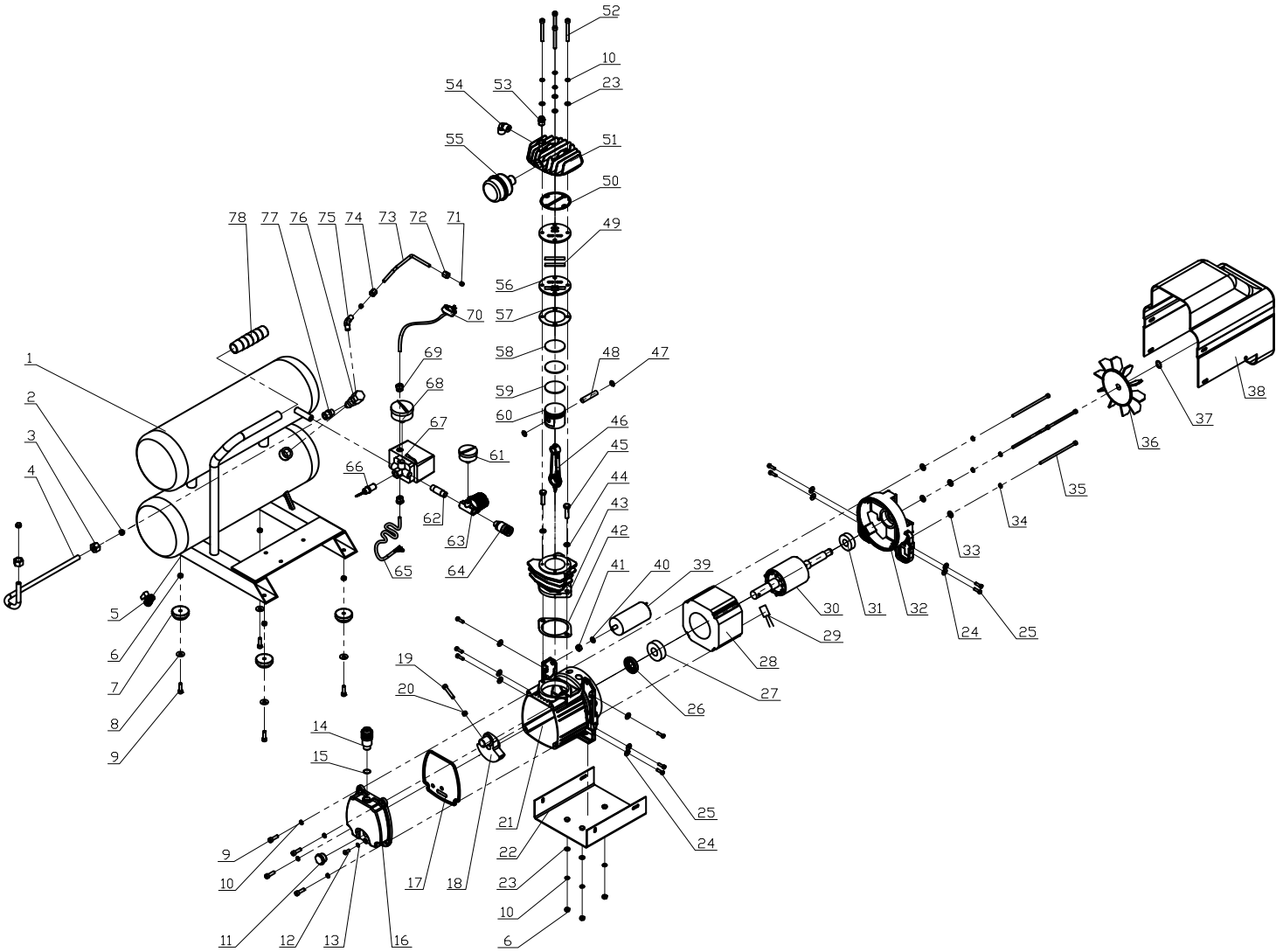
REF NO.	DESCRIPTION	QTY	PART NO.
29	THERMO PROTECTOR	1	42.001.036
32	FRONT FRAME	1	42.001.037
33	WASHER	4	
34	SPRING WASHER	4	
35	BOLT	4	
38	PLASTIC SHROUD	1	42.001.038
39	CAPACITOR	1	42.001.039
40	SPRING WASHER	1	

PUMP HEAD



REF NO.	DESCRIPTION	QTY	PART NO.
53	EASY START VALVE	1	42.001.040
55	AIR FILTER	1	42.001.041
56	VALVE PLATE	2	42.001.042
60	CARB CANNISTER	1	42.001.043

COMPLETE UNIT, FOR REFERENCE



patron[®]

