



Premier Ductable Heaters

TS040	40,000 Btuh / 11.7 kW
CS/TS080 2.0	80,000 Btuh / 23.4 kW
CS/TS170 2.0	170,000 Btuh / 49.8 kW

LP Vapor Withdrawal or Dual Fuel

View this manual online at www.lbwhite.com

Attention

This heater has been tested and evaluated by the OMNI Test Laboratories in accordance with the requirements of Standard ANSI Z83.7-2017•CSA 2.14-2017 and is listed and approved as a ductable direct gas-fired forced-air construction heater with application for the temporary heating of buildings under construction, alteration, or repair. Additionally, this heater has been application reviewed and approved by the OMNI Test Laboratories for U.S. and Canadian Tent Heating Applications with temporary human occupancy. **CHECK WITH YOUR LOCAL FIRE SAFETY AUTHORITY, YOUR LOCAL FUEL GAS SUPPLIER, OR THE L.B. WHITE COMPANY IF YOU HAVE QUESTIONS REGARDING APPLICATIONS.**

www.lbwhite.com

**SEE ASSEMBLY
INSTRUCTIONS
INSIDE**

**Please refer to important
elevation information on
inside cover.**



Report No: 0545GH004S



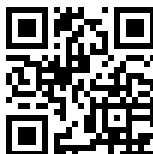
Congratulations!

You have purchased the finest agricultural building heater available. Your new L.B. White heater incorporates the benefits from the most experienced manufacturer of heating products using state-of-the-art technology.

We, at L.B. White, thank you for your confidence in our products and welcome any suggestions or comments you may have...contact us at 1-(800)-345-7200, or email us at customerservice@lbwhite.com.

NOTICE

The herein installation instructions are the L.B. White Co. LLC suggested recommendations and guidelines for temporary or permanent installation of the L.B. White Co. LLC heaters. Local, state, and electrical and safety code requirements supersede these guidelines. In the absence of local codes, see page 7 for installation in the U.S. or Canada.



SCAN THIS

with your smartphone or visit <http://goo.gl/nvneR> to view maintenance videos for L.B.White heaters.*

* Requires an app like QR Droid for Android or for iPhone

TABLE OF CONTENTS

Heater Specifications.....	4
General Information.....	5
Safety Precautions.....	5
General Installation Instructions.....	9
Propane Gas Supply Sizing.....	11
Thermostat Connection.....	12
Connecting Regulator to Gas Supply.....	14
Start-Up Instructions.....	15
Shut-Down Instructions.....	16
Cleaning Instructions.....	17
Maintenance Instructions.....	17
Service Instructions.....	18
Gas Pressure Checks.....	23
Troubleshooting.....	25
Electrical Connection and Ladder Diagram.....	32
Parts Schematic and Parts List.....	34
Warranty Policy.....	38

WARNING

Standard products are manufactured to operate at optimum efficiency at elevations between 0 and 2000 ft. (0-610 m) above sea level.

If operated at higher elevations the product will not function correctly and may function in an unsafe nature. Products providing proper operation for alternate elevations may be available.

If you require a high elevation product, did not specify when ordering, and/or the box this unit came in does not have an alternate altitude designation sticker please contact technical support.

GENERAL HAZARD WARNING

- FAILURE TO COMPLY WITH THE PRECAUTIONS AND INSTRUCTIONS PROVIDED WITH THIS HEATER CAN RESULT IN:
 - DEATH
 - SERIOUS BODILY INJURY OR BURNS
 - PROPERTY DAMAGE OR LOSS FROM FIRE OR EXPLOSION
 - ASPHYXIATION DUE TO LACK OF ADEQUATE AIR SUPPLY OR CARBON MONOXIDE POISONING
 - ELECTRICAL SHOCK
- READ THIS OWNER'S MANUAL BEFORE INSTALLING OR USING THIS PRODUCT.
- ONLY PERSONS WHO CAN READ, UNDERSTAND, AND FOLLOW THE INSTRUCTIONS SHOULD USE OR SERVICE THIS HEATER.
- SAVE THIS OWNER'S MANUAL FOR FUTURE USE AND REFERENCE.
- REPLACEMENT OWNER'S MANUALS ARE AVAILABLE. SEE WEBSITE, OR FOR ASSISTANCE, CONTACT L.B. WHITE AT 1-800-345-7200.

WARNING

- PROPER GAS SUPPLY PRESSURE MUST BE PROVIDED TO THE INLET OF THE HEATER.
- REFER TO DATA PLATE FOR PROPER GAS SUPPLY PRESSURE.
- GAS PRESSURE IN EXCESS OF THE MAXIMUM INLET PRESSURE SPECIFIED AT THE HEATER INLET CAN CAUSE FIRES OR EXPLOSIONS.
- FIRES OR EXPLOSIONS CAN LEAD TO SERIOUS INJURY, DEATH, OR BUILDING DAMAGE.
- GAS PRESSURE BELOW THE MINIMUM INLET PRESSURE SPECIFIED AT THE HEATER INLET MAY CAUSE IMPROPER COMBUSTION.
- IMPROPER COMBUSTION CAN LEAD TO ASPHYXIATION OR CARBON MONOXIDE POISONING AND THEREFORE SERIOUS INJURY OR DEATH.

WARNING

FIRE AND EXPLOSION HAZARD

- NOT FOR HOME OR RECREATIONAL VEHICLE USE.
- INSTALLATION OF THIS HEATER IN A HOME OR RECREATIONAL VEHICLE MAY RESULT IN A FIRE OR EXPLOSION.
- FIRE OR EXPLOSIONS CAN CAUSE PROPERTY DAMAGE OR LOSS OF LIFE.

WARNING

FIRE, BURN, INHALATION, AND EXPLOSION HAZARD

- KEEP SOLID COMBUSTIBLES A SAFE DISTANCE AWAY FROM THE HEATER.
- SOLID COMBUSTIBLES INCLUDE WOOD, PAPER, OR PLASTIC PRODUCTS, BUILDING MATERIALS AND DUST.
- DO NOT USE THE HEATER IN SPACES WHICH CONTAIN OR MAY CONTAIN VOLATILE OR AIRBORNE COMBUSTIBLES.
- VOLATILE OR AIRBORNE COMBUSTIBLES INCLUDE GASOLINE, SOLVENTS, PAINT THINNER, DUST PARTICLES OR UNKNOWN CHEMICALS.
- FAILURE TO FOLLOW THESE INSTRUCTIONS MAY RESULT IN A FIRE OR EXPLOSION.
- FIRE OR EXPLOSIONS CAN LEAD TO PROPERTY DAMAGE, PERSONAL INJURY OR DEATH.

FOR YOUR SAFETY

Do not store or use gasoline or other flammable vapors and liquids in the vicinity of this or any other appliance.

FOR YOUR SAFETY

If you smell gas:

1. Open windows.
2. Don't touch electrical switches.
3. Extinguish any open flame.
4. Immediately call your gas supplier.

WARNING

Cancer and reproductive harm.
See www.P65Warnings.ca.gov.

Specifications

		TS040	CS080	TS080	CS170	TS170		
Fuel Type		Propane	Propane	Natural Gas	Propane	Propane	Natural Gas	Propane
Maximum Input (Btuh / kWh)		40,000 / 11.7	80,000 / 23.4		170,000 / 49.8			
Burner Manifold Pressure (Inches W.C. / kPa)		8.0 / 2.0						
Gas supply Pressure		MAX. 13.5 / 3.36						
Acceptable at the Inlet of the Heater for Purpose of Input Adjustment (Inches W.C. / kPa)		MIN. 11.0 / 2.7						
Fuel Consumption / Hour:								
Propane (lbs. / kg)		1.86 / 0.84	3.71 / 1.68	80 / 2.00	3.71 / 1.68	7.88 / 3.57	170 / 4.81	7.88 / 3.57
Natural Gas (cu. ft / m3)								
Motor Characteristics		Ball Bearing						
		1/12 HP / 60 Watts 1700 RPM	1/8 HP / 93 Watts 1100 RPM		1/3 HP / 248 Watts 1100 RPM			
Electrical Supply (Volts/Hz/Phase)		120 / 60 / 1						
Amp Draw	Starting	2.6	5.0		7.3			
	Continuous	1.0	1.5		5.0			
	Operating							
Dimensions (Inches / cm) LxWxH		24.8 x 14.5 x 16.2 / 63 x 36.8 x 41.1	28 x 13.5 x 22.75 / 71.1 x 34.3 x 57.8		30.75 x 18.25 x 28.25 / 78 x 46.3 x 71.7			
Minimum	Top	1 / 0.3						
Safe Distance from Nearest	Sides	1 / 0.3						
	Back	1 / 0.3						
Combustible Materials	Blower	6 / 1.83						
	Outlet							
(ft. / m)	Gas Supply	Propane Gas - US: 6 / 1.83 Canada: 10 / 3.05 Natural Gas - N/A						
Minimum Ambient Temperature in Which Heater May Be Used		-20°F / -29°C						

www.lbwwhite.com

General Information

This Owner's Manual includes accessories commonly used on this heater. These accessories must be ordered separately.

When calling for technical service assistance, or for other specific information, **always** have model number and serial number available. This information is contained on the dataplate.

This manual will instruct you in the operation and care of your unit. Have your installer review this manual with you so that you fully understand the heater and how it functions.

Contact your local L.B. White distributor or the L.B. White Company, LLC for assistance, or if you have any questions about the use of the equipment or its application.

The L.B. White Company, LLC has a policy of continuous product improvement. It reserves the right to change specifications and design without notice.

Safety Precautions



WARNING

Air Quality Hazard

- Do not use this heater for heating human living quarters.
- Use of direct-fired heaters in the construction environment and tent application can result in exposure to levels of CO, CO₂, and NO₂ considered to be hazardous to health and potentially life threatening.
- Do not use in unventilated areas.
- Know the signs of CO and CO₂ poisoning
 - Headaches, stinging eyes.
 - Dizziness, disorientation.
 - Difficulty breathing, feeling of being suffocated.
- Proper ventilation air exchange (OSHA 29 CFR 1926.57) to support combustions and maintain acceptable air quality shall be provided in accordance with OSHA 29 CFR part 1926.154, ANSI A10.10 Safety Requirements for Temporary and Portable Space Heating Devices and Equipment used in the Construction Industry or the Natural Gas and Propane Installation Codes CSA B149.1.
 - Periodically monitor levels of CO, CO₂, and NO₂ existing at the construction site – at the minimum at the start of the shift and after 4 hours.
 - Provide ventilation air exchange, either natural or mechanical, as required to maintain acceptable indoor air quality.

USA 8-Hr. Time weighted average
(OSHA 29 CFR 1926.55 App A)

CO	50 ppm
CO ₂	5,000 ppm
NO ₂	

USA – Ceiling Limit
(Short Term Exposure Limit = 15 minutes)

CO	
CO ₂	
NO ₂	5 ppm

Canada 8-Hr. Time weighted average
WorkSafe BC OHS Guidelines Part 5.1
and Ontario Workplaces Reg 833

	25 ppm
	5,000 ppm
	3 ppm (Reg 833)

Canada STEL (15 minutes Reg 833/1 hr.
WSBC) WorkSafe BC OHS Guidelines part
5.1 and Ontario Workplaces Reg 833

	100 ppm
	15,000 ppm (WSBC)
	30,000 ppm (Reg 833)
	1.0 ppm (WorkSafeBC)
	5.0 ppm (Reg 833)

- Ensure that the flow of combustion and ventilation air exchange cannot become obstructed.
- As the building "tightens up" during the construction phases, ventilation may need to be increased.

Fuel Gas Odor

Propane gas and natural gas both contain a man-made odorant added specifically for detection of fuel gas leaks. If a gas leak occurs, you should be able to smell the fuel gas. **THAT'S YOUR SIGNAL TO GO INTO IMMEDIATE ACTION!**

- Do not take any action that could ignite the fuel gas. Do not operate any electrical switches. Do not pull any power supply or extension cords. Do not light matches or any other source of flame. Do not use your telephone.
- Get everyone out of the building and away from the area immediately.
- Close all fuel supply valves.
- Propane gas is heavier than air and may settle in low areas. When you have reason to suspect a propane leak, keep out of all low areas.
- Contact your fuel gas supplier and your fire department. Do not re-enter the building or area.
- Stay out of the building and away from the area until declared safe by the firefighters and your fuel gas supplier.
- **FINALLY**, let the fuel gas service person and the firefighters check for escaped gas. Have them air out the building and area before you return. Properly trained service people must repair the leak, check for further leakages, and then relight the heater for you.

Odor Fading - No Odor Detected

- Some people cannot smell well. Some people cannot smell the odor of the man-made chemical added to propane or natural gas. You must determine if you can smell the odorant in these fuel gases.
- Learn to recognize the odor of propane gas and natural gas. Local propane gas dealers and your local natural gas supplier (utility) will be more than happy to give you a "scratch and sniff" pamphlet. Use it to become familiar with the fuel gas odor.
- Smoking can decrease your ability to smell. Being around an odor for a period of time can affect your sensitivity to that particular odor.
- The odorant in propane gas and natural gas is colorless and the intensity of its odor can fade under some circumstances.
- If there is an underground leak, the movement of gas through the soil can filter the odorant.
- Propane gas odor may differ in intensity at different levels. Since propane gas is heavier than air, there may be more odor at lower levels.
- Always be sensitive to the slightest gas odor. If you continue to detect any gas odor, no matter how small, treat it as a serious leak. Immediately go into action as discussed previously.

Attention - Critical Points to Remember!

- If you have not been properly trained in repair and service of propane gas and natural gas fueled heaters, then do not attempt to light the heater, perform service or repairs, or make any adjustments to the heater on a propane gas or natural gas fuel system.
 - Even if you are not properly trained in the service and repair of radiant heaters, ALWAYS be consciously aware of the odors of propane gas and natural gas.
 - A periodic "sniff test" around the heater or at the heater's joints; i.e. hose, connections, etc., is a good safety practice under any conditions. If you smell even a small amount of gas, CONTACT YOUR FUEL GAS SUPPLIER IMMEDIATELY. DO NOT WAIT!
1. Do not attempt to install, repair, or service this heater or the gas supply line unless you have continuing expert training and knowledge of gas heaters.

QUALIFICATIONS FOR SERVICING AND INSTALLATION:

- a. To be a qualified gas heater service person, you must have been trained in gas-fired heater servicing, repair and also have sufficient experience to allow you to troubleshoot, replace defective parts, and test heaters in order to get them into a continuing safe and normal operation condition. You must completely familiarize yourself with each model heater by reading and complying with the safety instructions, labels, owner's manual, etc. that are provided with each heater.
- b. To be a qualified gas installation person, you must have sufficient training and experience to handle all aspects of installing, repairing, and altering gas lines, including selecting and installing the proper equipment, and selecting proper pipe size to be used. This must be done in accordance with all local, state and national codes as well as the manufacturer's requirements.
- c. In the Commonwealth of Massachusetts, this product must be installed by a gas fitter licensed in the Commonwealth of Massachusetts.

WARNING **ELECTRICAL GROUNDING** **INSTRUCTIONS**

This heater is equipped with a three prong (grounding) inlet for your protection against electrical shock hazard. It must be plugged into a properly grounded three prong receptacle. Failure to use a properly grounded receptacle can result in electrical shock or death.

2. All installations or applications of L. B. White LLC heaters shall meet the requirements of local, state and national L.P. gas and natural gas, electrical and safety codes. Your gas supplier, local licensed electrician, local fire department and government agencies can help you determine these requirements. In the absence of local codes, comply with the following:
 - a. Installations in the U.S.A.:
 - NFPA 102, standard for assembly seating, tents and membrane structures
 - ANSI/NFPA 58, latest edition, Standard for Storage and Handling of Liquefied Petroleum Gas and/or
 - ANSI Z223.1/NFPA 54, National Fuel Gas Code
 - ANSI/NFPA 70, National Electrical Code.
 - b. Installations in Canada:
 - CAN1-B149.1 or CAN1-B149.2 Installation Codes
 - CSA C22.1 Part 1 Standard Canadian Electrical Code.
 - CSA C22.2 No.3, Electrical Features of Fuel Burning Equipment.
3. We cannot anticipate every use which maybe made of our heaters. Other standards govern the use of fuel gases and heat producing products in specific applications. Your local authority can advise you about these. Check with the local fire safety authority if you have questions about applications.
4. Forced air heaters shall not be directed toward any propane gas container within 20 feet/6.10 meters.
5. Do not wash the heater. Use only compressed air, a soft brush or dry cloth to clean the interior of the heater and it's components.
6. For safety, this heater is equipped with a manual reset high limit switch, and an air pressure switch. Never operate the heater with any safety device that has been bypassed. Do not operate this heater unless all of these features are fully functioning.

7. Do not direct the heater toward any propane gas supply container or gas hose within 20 ft. (6m) of the heaters hot air discharge.
8. Do not block air intakes or discharge outlets of the heater. Doing so may cause improper combustion or damage to heater components leading to property damage.
9. The hose assembly shall be visually inspected on a daily basis after heater relocation and when the heater is in use. If it is evident there is excessive abrasion or wear, or if the hose is cut, it must be replaced prior to the heater being put into operation. The hose assembly shall be protected from building materials, and contact with hot surfaces both during use and while in storage. The replacement hose assembly shall be that specified by the manufacturer. See parts list.
10. Check for gas leaks and proper function upon heater installation, when relocating, and after servicing. Refer to leak check instructions within the installation section of this manual.
11. This heater should be inspected for proper operation by a qualified service person before each use and at least annually.
12. Always turn off the gas supply to the heater if the heater is not going to be used in the heating of the work space.
13. If gas flow is interrupted and flame goes out, do not relight the heater until you are sure that all gas that may have accumulated has cleared away. In any event, do not relight the heater for at least 5 minutes.
14. See tables on page 11 for minimum propane gas cylinder size to be used per heaters. Multiple manifold cylinders may be required to ensure continuous supply of gas.
15. When the heater is to be stored indoors, the connection between the propane gas supply cylinder(s) and the heater must be disconnected and the cylinder(s) removed from the heater and stored in accordance with the Standard for the Storage and Handling of Liquefied Petroleum Gases, ANSI/NFPA 58 or Standard CSA B149.1 Natural Gas and Propane Installation Code as appropriate.
16. The heater must be located at least 6 ft. (1.83 m) in the U.S.; or 10 ft. (3 m) in Canada from any propane gas container.
17. Propane gas supply containers have left handed threads. Use the manual hand wheel supplied with the regulator to make a connection of the regulator's P.O.L. fitting into the cylinders' gas supply valve.
18. Use pipe joint compound that is approved for use with propane gas.
19. For either indoor or outdoor installation. Adequate ventilation shall be provided in accordance with OSHA 29 CFR 1926.154, Safety Requirements for Temporary and Portable Space Heating Devices and Equipment, ANSI A10.10, National Fuel Gas Code, ANSI Z223.1/ NFPA54, Liquefied Petroleum Gas Code, NFPA 58 or the Natural Gas and Propane Installation Code, CAN B149.1, as appropriate.

General Installation Instructions



WARNING Burn Hazard

Can cause property damage, severe injury or death.

1. To avoid dangerous accumulation of fuel gas, turn off gas supply at the appliance service valve before starting installation, and perform gas leak test after completion of installation.
2. Do not force the gas control knob. Use only your hand to turn the gas control knob. Never use any tools. If the knob will not operate by hand, the control should be replaced by a qualified service technician. Force or attempted repair may result in fire or explosion.

1. Read all safety precautions and follow the L.B. White Co., LLC recommendations when installing this heater. If during the installation or relocating of heater, you suspect that a part is damaged or defective, call a qualified service agency for repair or replacement.
2. The heating equipment must be properly positioned before use on a flat, stable, and horizontal surface. Ensure the heater is level. (Use a level, check lengthwise & crosswise). Observe and obey all minimum safe distances of the heater to the nearest combustible materials. Safe distances are given on the heater dataplate and on page 4 of this manual.
3. L.P Gas Installation Requirements
 - All L.P. gas containers must be placed at least 5 feet/1.52 meters from the nearest tent wall structure.
 - Ensure all L.P. gas containers are secured and protected from all people, vehicular traffic and contact.
 - L.P. gas containers must be located on a flat, level, and stable surface.
 - L.P. gas cylinders (a.k.a. 100 lb/45 kg. cylinders/tanks) must be secured from tip-over.

Contact your local authorities, L.P. gas dealers, or fire marshalls for specifics dealing with installation in your area

4. This heater may be installed either indoors or outdoors and is approved for use with or without ductwork. For outdoor installations, additional accessories are needed to properly provide heated air to the inside. These accessories are as follows:

Only the ducting and the air distribution accessories as supplied and specified by the heater's manufacturer shall be used. **DO NOT USE ANY OTHER DUCTWORK, DUCTING, FIELD FABRICATED DUCTS, TARPS, STOVE PIPE, or any other means of making the connection between the heater and the inside of the tent.**

Unit Diffuser:

Premier 40: 500-132540

Premier 80: 500-132902

Premier 170: 500-26351

This accessory provides the necessary clearance to combustible materials; it is attached to the blower outlet of the heater and distributes the air inside the tent. Local codes may require a 10 ft./3.04 m separation between the tent and the heater. In this case the unit mounted diffuser shall not be used.

Duct Kit:

Premier 40: 8 in. (20.3 cm) x 12 ft. (3.65 m), 500-132544

Premier 80/170: 12 in. (30.5 cm) x 12 ft. (3.65 m)

500-26346, Gray Duct

500-26347, White Duct

This accessory provides for locating the heater up to 10 ft./3.04 meters away from the tent as required by some local codes.

Use only one duct per heater with or without an end diffuser.

End Diffuser:

Premier 40: 500-132541

Premier 80/170: 500-26350

This accessory is used in conjunction with the Premier ducting kit. It is placed under the tent edge and distributes air inside the tent.

5. When using the unit diffuser or end diffuser air distribution accessories, extend the side shields; ensure the tent material is laid within the diffusers U-channel and anchored securely.
6. The heater's gas pressure regulator must be protected from adverse weather conditions (rain, ice, snow) as well as from building materials (tar, concrete, plaster, etc.) which can affect safe operation and could result in property damage or injury.
7. Ensure that all accessories that shipped within the heater have been removed from inside the heater and installed.
8. Check all connections for gas leaks using approved gas leak detectors. Gas leak testing is performed as follows:


WARNING
Fire and Explosion Hazard

- Do not use open flame (matches, torches, candles, etc.) in checking for gas leaks.
- Use only approved leak detectors.
- Failure to follow this warning can lead to fires or explosions.
- Fires or explosions can lead to property damage, personal injury or loss of life.

- Check all pipe connections, hose connections, fittings and adapters upstream of the gas control with approved gas leak detectors.
 - In the event a gas leak is detected, check the components involved for cleanliness and proper application of pipe compound before further tightening.
 - Tighten the gas connections as necessary to stop the leak.
 - After all connections are checked and any leaks are stopped, turn on the main burner.
 - Stand clear while the main burner ignites to prevent injury caused from hidden leaks that could cause flashback.
 - With the main burner in operation, check all connections, hose connections, fittings and joints as well as the gas control valve inlet and outlet connections with approved gas leak detectors.
 - If a leak is detected, check the components involved for cleanliness in the thread areas and proper application of pipe compound before further tightening.
 - Tighten the gas connection as necessary to stop the leak.
 - If necessary, replace the parts or components involved if the leak cannot be stopped.
 - Ensure all gas leaks have been identified and repaired before proceeding.
9. A qualified service technician must check for proper operating gas pressure upon installation of the heater.
 10. Light according to instructions on heater or within owner's manual.
 11. The heater must have the proper gas regulator for the application. Use only the L.B. White regulator originally supplied with the heater. This regulator includes a POL fitting incorporating an excess flow valve. The excess flow valve is a safety device which protects against discharge from the propane gas supply container if the regulator is broken off. If the POL fitting is ever replaced, it needs to be replaced with an L.B. White POL fitting. Failure to do so can result in fires, explosions, loss of property, injury or death.
 12. A regulator must be connected to the gas supply so that the pressure to the inlet of the gas control valve is regulated within the range specified on the dataplate at all times. Contact your gas supplier or the L.B. White Co., LLC if you have any questions.
 13. Do not use the heater in an propane gas liquid withdrawal system or application. If you are in doubt, contact your local fuel gas supplier or the L.B. White Co., LLC.
 14. The heater must be installed so as not to interfere with or obstruct normal exits, emergency exits, doors and walkways.
 15. Railing, fencing or suitable substitute materials must be used to keep the heating equipment from any people using and visiting the structure.
 16. The unit shall be located so that rain, ice, or snow drainage from the structure does not affect equipment operation. If the unit is mounted outside, it must be mounted above any pooled or standing water. If the unit is to be located on the ground, a surrounding trench is recommended to drain any rain, ice or snow away from the unit.
 17. The ground and surrounding terrain must be cleared of any combustible vegetation and other combustible materials when the heater is mounted outside.
 18. Thermostat failure may result in an underheating condition. The thermostat should be tested to make sure it turns the heater on and off within a temperature differential of $\pm 3^{\circ}\text{F}$ ($\pm 1.5^{\circ}\text{C}$).
 19. Take time to understand how to operate and maintain the heater by using this Owner's Manual. Make sure you know how to shut off the gas supply to the building and also to the individual heater. Contact your fuel gas supplier if you have any questions.
 20. Any defects found in performing any of the service or maintenance procedures must be corrected and defective parts replaced immediately. The heater must be evaluated by a qualified service technician before placing the heater back into use.

Propane Gas Supply Sizing

The vaporization of propane is affected by several factors: the surface area of the container, the liquid level of propane, temperature surrounding the container, and the relative humidity. All of these factors are specific to a site. Therefore, a degree of experience and judgement is required to select the proper propane supply.

Although experience is the best guide, the following recommendations can be used as a starting point. The table is based on experience in northern climates where cold weather and high humidity are prevalent in the winter. If more or less favorable conditions prevail at a specific site, adjustments can be made on the basis of experience.

Recommended Propane Gas Supply - Cylinders Required Per Heater							
Average Temp °F / °C		50/10	40/4.4	30/-1.1	20/-6.7	10/-12.2	0/-17.8
20 lb. / 9 kg	TS040	1	1	1	2*	2*	2*
	CS/TS080	2*	2*	2*	2*	3*	3*
40 lb. / 18 kg	TS040	1	1	1	1	1	2*
	CS/TS080	1	2*	2*	2*	2*	2*
100 lb. / 45 kg	TS040	1	1	1	1	1	1
	CS/TS080	1	1	1	2*	2*	2*
	CS/TS170	2*	2*	3*	3*	3*	3*

Cylinders requirements per heater is base on full Btu output at 70% fuel usage

* Cylinders must be manifolded together to allow simultaneous vapor withdrawal from all cylinders

Run Time Hours							
Average Temp °F / °C		50/10	40/4.4	30/-1.1	20/-6.7	10/-12.2	0/-17.8
20 lb. / 9 kg	TS040	8.0	6.0	4.0	13.0**	10.0**	8.0**
	CS/TS080	3.0**	2.5**	2.0**	2.0**	3.0***	2.5***
40 lb. / 18 kg	TS040	18.5	16.0	16.0	12.0	10.0	6.5
	CS/TS080	9.0	8.5	2.0	5.0**	3.0**	2.5**
100 lb. / 45 kg	TS040	50.0	50.0	50.0	45.0	37.0	32.0
	CS/TS080	21.0	19.0	18.0	16.0	13.0	8.0
	CS/TS170	9.0**	8.0**	7.0**	6.0**	8.0***	7.0***

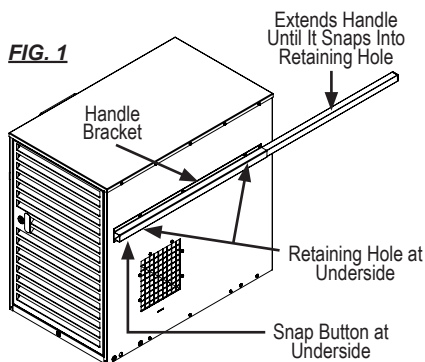
** Two cylinders manifold together

*** Three cylinders manifold together

Sliding Handle

The Premier 170 is equipped with sliding handles for convenient "wheel-barrow" style mobility

- Depress the snap-button on the underside of the sliding handle storage bracket.
- Fully extend both handles until the snap button locks into place.
- For storage, depress the snap button and push the handles to fully retracted position.

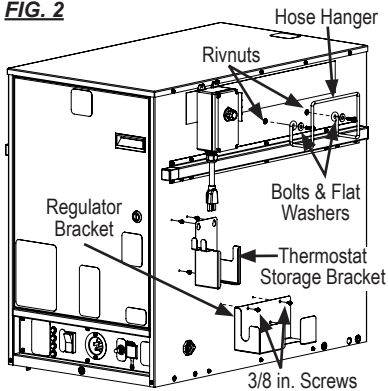


Thermostat Bracket, Hose Hanger, Regulator Bracket

1. Thermostat Storage Bracket

- a. Thread the four 3/8 in. hex head screws to the four holes on the back of the heater case. DO NOT TIGHTEN the screws at this time. See Fig. 2, Premier 170 shown.
- b. Slide the four keyholes of the thermostat bracket mounting flanges over the four screws. Push the bracket downward, hold in place. Tighten the screws securely with a 1/4 in. driver through the bracket's access holes. See Fig. 2, Premier 170 shown.

FIG. 2



- c. Store the thermostat within the bracket when not in use.

2. Hose Hanger

- a. Align wire hose hanger to rivnuts on back of heater.
- b. Mount the hanger using the 1/4-20 x 3/4 in. bolts and 1/4 in. flat washers. Tighten securely. See Fig. 2, Premier 170 shown.

3. Regulator Storage Bracket (Premier 170)

- a. Align the regulator storage bracket to the two 1/8 in. diameter holes on the back of the heater case.
- b. Mount the storage bracket to the case using the two 3/8 in. hex screws. Tighten securely.

Thermostat

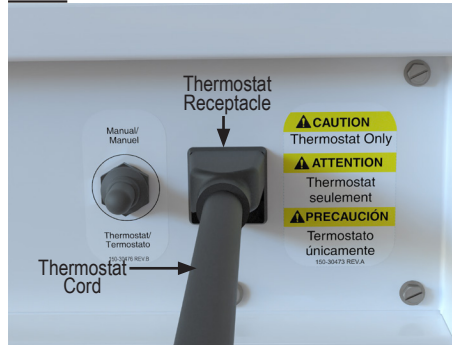
If thermostat is not needed or required, select manual setting on thermostat switch. See Fig. 3.

FIG. 3



If a thermostat is required, remove the thermostat outlet cover and plug the thermostat cord into the thermostat outlet receptacle. Use ONLY L.B. White thermostat cord with plug. Do not use an inline thermostat plug when plugging to thermostat outlet receptacle. Select the thermostat setting on the switch. See Fig. 4.

FIG. 4

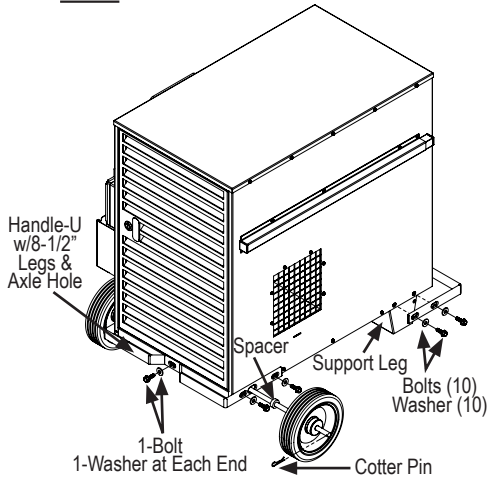


- * ALWAYS cover the thermostat outlet when not in use.
- * DO NOT plug an appliance into the thermostat outlet.
- * DO NOT plug the thermostat cord into a power receptacle.

Wheel, Leg & Lifting Handle (Premier 170)

See Fig. 5 for assembly of components. Ensure all hardware is tightened securely.

FIG. 5



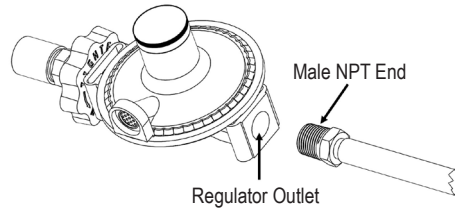
Connecting the Regulator and the Gas Hose

- Only use the L.B. White regulator supplied with the heater.
- Use pipe joint compound that is approved for use with propane gas at all threaded connections
- The heater must be regulated at all times for proper operation.
- Leak check all regulator connections after connecting to the gas supply.

Standard Premier Propane Gas Heaters (TS040/80/170)

1. Thread the male ridged end of the hose to the regulator outlet, tighten securely. See Fig. 6.

FIG. 6



2. Remove the plastic cap from the POL fitting. (Do not discard the cap).

Dual Fuel Premier Heaters (CS080/170)

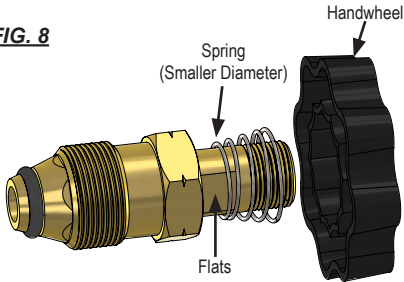
- The regulator provided with the dual fuel heaters is suitable for both propane or natural gas.
- Use pipe joint compound that is resistant to propane and natural gas at all threaded connections.

When using propane gas as the fuel:

1. Remove the plastic cap from the POL fitting. (POL fitting is located in hardware bag. Do not discard the cap).

- Slide the spring over the POL stem. The smaller diameter end of the spring is toward the brass nut of the POL. See Fig. 8. Slide the open side of the hand wheel over the POL stem. Thread the assembly into the 1/4 in. inlet of the regulator. Tighten securely using a wrench at the flats of the POL stem.

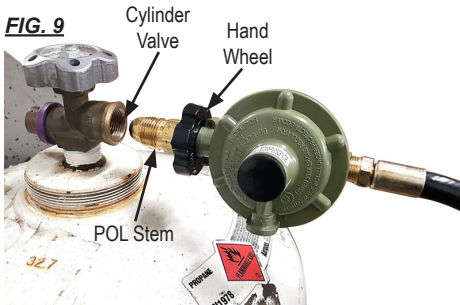
FIG. 8



Connecting the Regulator to the Gas Supply

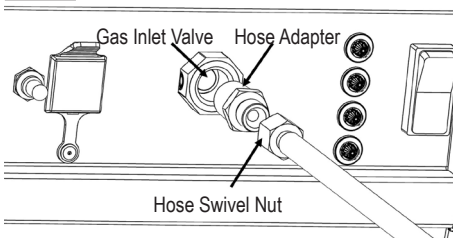
- Insert the POL stem into the cylinder valve. Push the spring loaded hand wheel up against the threaded nut. Turn the hand wheel counter clockwise to thread the POL nut into the propane cylinder valve. Firmly tighten. See FIG. 9.

FIG. 9



- Install the 1/2" NPT hose adapter to the gas valve inlet. See Fig. 10 (Premier 40 shown)

FIG. 10



- Attach the hose's swivel nut to the hose adapter. See. Fig. 10.
- Slowly open the cylinder valve. This will prevent lock-up of the excess flow valve built within POL stem. Check for leaks; correct if needed.
- When storing or transporting the heater, use the protective cap to ensure the POL fitting is protected from damage and water entry.

When using natural gas as the fuel:

- The regulator supplied with the dual fuel heater is required for use with natural gas if the natural gas supply pressure to the heater is above the maximum inlet pressure of 13.5 in. W.C./3.36 kPa, as stated on the heater's dataplate and in this owner's manual.
- The regulator requires a natural gas supply pressure that will provide the inlet pressure to the heater's gas valve as stated on the heater dataplate and in this owner's manual.
- If the POL fitting and hose assembly are connected to the regulator, remove them from the regulator.
- Connect the regulator outlet directly to the inlet of the heater using a short 1/2 in. NPT pipe nipple (not supplied).
- Connect the regulator to the natural gas supply line using the proper connections.

Start-Up Instructions

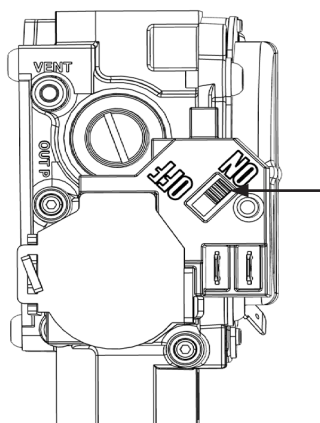
For initial start-up after heater installation, follow steps 1-4.

1. This heater is wired with a ground connection for your protection against an electrical shock hazard. The heater must be connected directly to a properly wired and grounded electrical supply.

A. Heat Mode Operation

- a. Open all manual fuel supply valves. Check for gas leaks using an approved leak detector. The gas control valve in the heater has a manual shut-off feature incorporated into the valve assembly. Ensure the indicator on the valve is positioned to ON. See Fig 11.

FIG. 11




- b. Push the selector switch to heat. See. Fig. 12. 

FIG. 12



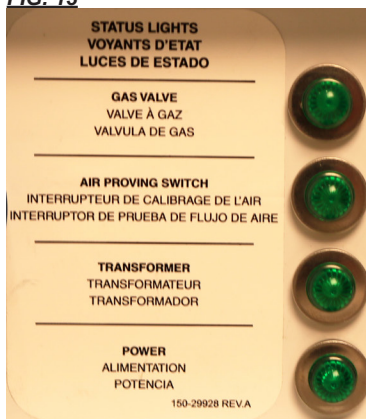
- c. Set the thermostat above room temperature
 - The fan motor will start
 - Igniter will spark
 - Ignition occurs

- d. The thermostat cycles the heater on and off based on the temperature set point.


(It is normal for air to be trapped in the gas hose on new installations. The heater may attempt more than one trial for ignition before the air is purged from the line and ignition takes place.)

When the switch is set to heat, four status lights (see Fig.13) will be activated in sequence as specific circuits are checked by the ignition control. If the heater does not light, and a status light is off, refer to the troubleshooting label on the heater's case or the troubleshooting guide in the owner's manual.

FIG. 13



B. Vent Mode Operation

- Push the selector switch to off, **O**, then to vent 
- Only the fan motor will operate. The igniter will not spark, nor will ignition occur.

The ventilation feature is used when air circulation is required. The heater will not cycle on its thermostat setting.

C. Off O

1. Position the switch to midpoint **O**.
2. **Do not exceed input rating stamped on nameplate or manufacturer's recommended burner orifice pressure for size orifice(s) used. Make certain that the primary air supply to main burner is open and free of dust, dirt and debris for complete, proper combustion.**

Shut-Down Instructions

For normal shut-down, set the thermostat below room temperature. When servicing or performing maintenance, follow steps 1 - 5.

1. Close the fuel supply valve.
2. Allow the heater to burn off any fuel gas remaining in the gas supply line.
3. Set the thermostat to "Off" or "No Heat".
4. Position selector switch to O (off).
5. Disconnect the heater from its gas and electrical supplies.

Gas Selector Valve Dual Fuel (DF) Models

This heater is shipped from the factory with the fuel selector valve in the propane gas (LP) position. Ensure the fuel selector valve's handle is properly positioned for the fuel being used.

1. This feature allows the heater to operate on either propane or natural gas without changing out the burner orifice. The gas selector valve is located between the gas control valve and the burner. THIS IS NOT A MANUAL GAS SHUT OFF VALVE.
2. Refer to Figs. 14 and 15 for valve handle proper positioning for the specific gas being used (Premier 170 DF shown). Same handle positions for Premier 80 DF).
3. The handle must be fully set at 90 degree to gas flow (propane gas) or parallel to gas flow (natural gas) for proper operation. Also refer to the decal located on the heater's base, adjacent to the selector valve.

FIG. 14
Propane Gas position, Premier 170 shown

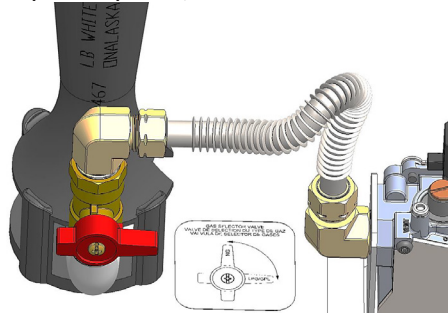
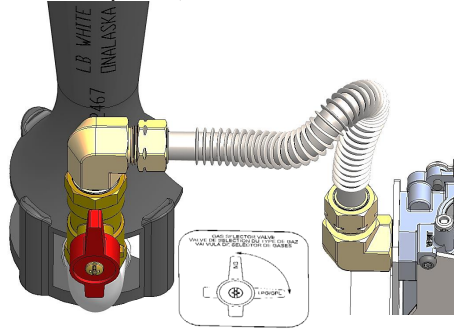
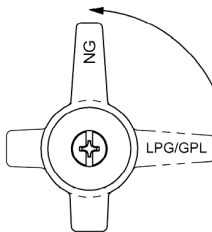


FIG. 15
Natural Gas position, Premier 170 shown



DO NOT operate the heater with selector valve handle set between either position, otherwise improper operation will occur.

GAS SELECTOR VALVE
VALVE DE SELECTION DU TYPE DE GAZ
VALVULA DE SELECTOR DE GASES



150-132862 REV A

Cleaning Instructions



WARNING

Fire, Burn, and Explosion Hazard

- This heater contains electrical and mechanical components in the gas management, safety and airflow systems.
- Such components may become inoperative or fail due to dust, dirt, wear, corrosive environment, and aging.
- Periodic cleaning and inspection as well as proper maintenance are essential to avoid serious injury or property damage.

1. Before cleaning, shut off all gas supply valves and disconnect the electrical supply.
2. The heater should have dirt or dust removed periodically:
 - a. Before each use give the heater a general cleaning using compressed air or a soft brush or dry rag on its case and internal components. At this time, dust off the motor case to prevent the motor from over-heating.
 - b. At least once a year, give the heater a thorough cleaning. At this time, remove the fan and motor assembly and brush or blow off the fan blade assembly. Additionally, make sure the burner air inlet venturi ports and the casting are free of dust accumulation.



WARNING

Do not use a pressure washer, water, or liquid cleaning solution on any gas controls. Use of a pressure washer, water, or liquid cleaning solution on the control components can cause severe personal injury or property damage due to water and/or liquids:

- In electrical components, and wires causing electrical shock or equipment failure.
- On gas control valves causing corrosion which can result in gas leaks and fire or explosion from the leak.

Clean all components of the heater with pressurized air, a dry brush, or a dry cloth.

Maintenance Instructions

BEFORE EACH USE:

- Check the area surrounding the heater to ensure it is clear and free of combustible materials, gasoline, and other flammable vapors and liquids.
- At the installation ensure there is adequate combustion air and the ventilation air flow is not obstructed.
- Have your gas supplier check all gas connections for leaks or restrictions in gas lines.
- Inspect the regulator vent to make sure the regulator vent is not blocked. Debris, insects, insect nests, snow, or ice on a regulator can block vents and cause excess pressure at the heater.
- Check all wiring, associated terminals, and electrical components within the heater for corrosion, frayed or cut insulation, tight connections, etc. Repair or replace as necessary.
- Check the hose assembly after heater installation, relocation, and when the heater is in use. If it is evident there is excessive abrasion or wear, or if the hose is cut, it must be replaced prior to the heater being put back into operation.
- Review all heater markings (i.e. wiring diagram, warnings, start-up, shut-down, troubleshooting, etc.) at the time of maintenance for legibility. Make sure none are cut, torn, or otherwise damaged. Any damaged markings must be replaced immediately by contacting the L.B. White Co., LLC. The data plate, startup and shutdown instructions, and warning stickers are available as a replacement part.

ANNUALLY:

- Clean and check the igniter for cracks. Replace if necessary.
- Regulators can wear out and function improperly. Have your gas supplier check the regulators outlet pressure to make sure it is adjusted correctly.
- Test both high limit switches, if applicable, to ensure proper operation. See Service Instructions in this owner's manual.

Service Instructions



WARNING Burn Hazard

- Heater surfaces are hot for a period of time after the heater has been shut down.
- Allow the heater to cool before performing service, maintenance, or cleaning.
- Failure to follow this warning will result in burns causing injury.



WARNING Fire and Explosion Hazard

- Do not disassemble or attempt to repair any heater components or gas train components such as gas valves, or gas hoses.
- All component parts must be replaced if defects are found.
- Failure to follow this warning will result in fire or explosions, causing property damage, injury, or death.

1. Close the fuel supply valve to the heater and disconnect the electrical supply before servicing unless necessary for your service procedure.
2. Clean the heater's orifice with compressed air or a soft, dry rag. Do not use files, drills, broaches, etc. to clean the orifice hole. Doing so will enlarge the hole, causing combustion or ignition problems. Replace the orifice if it cannot be cleaned properly.
3. The high limit switch can be tested by:
 - Disconnecting the leads at the component, and jumpering the leads together.:
 - Reconnect the electrical supply and open fuel supply valves.
 - If the heater lights, the component is defective and must be replaced.
 - Do not leave the jumper on or operate the heater if the part is defective. Replace the part immediately.
 - An alternate method for checking components is to perform a continuity check.
4. The air pressure switch must not be jumpered. If jumpered, the ignition control will not allow the heater to operate. Test the air pressure switch for continuity. If defective, replace the switch.

5. Open the front case panel for access to the heater's interior components.
6. Disconnect the appropriate electrical leads when replacing components.
7. For reassembly, reverse the respective service procedure. Ensure gas connections are tightened securely and leak checked.
8. After servicing, start the heater to ensure proper operation.

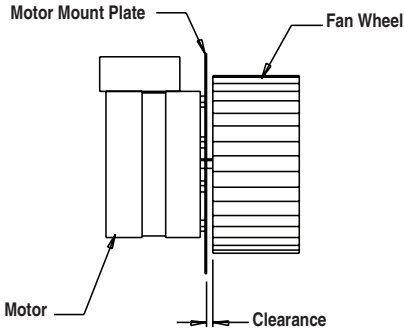
Motor & Fan Assembly

Premier 40

- Remove the 8 screws located on the underside of the base; 4 each on both long sides of the heater. Spread the bottom sides outward and lift up to clear the internal components.

Premier 80/170

- Open the louvered access panel opposite the burner end of heater.
1. Disconnect the motor leads.
 2. Remove the screws securing the motor mounting plate to the housing.
 3. Pull the motor and fan assembly from the housing.
 4. Loosen set screws on the fan wheel and pull the fan wheel from the motor shaft.
 5. Remove the four nuts securing the motor to the mounting plate.
 6. See Fig. 16 for fan wheel spacing.

FIG. 16

Premier 40/80 - 3/16 IN / 4.7 mm
 Premier 170 - 1/8 IN / 3.2 mm

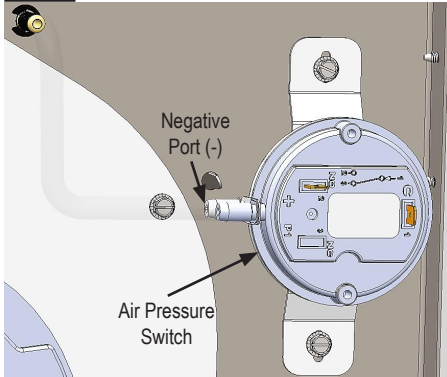
Air Pressure Switch

The air pressure switch is located on the cold air housing internal to the heater. It must work properly to allow an ignition cycle. If the air pressure switch contacts are closed before the ignition control starts the fan motor, or do not close on a call for heat after the fan motor starts, ignition will not occur. See Fig. 17.

To service:

- Disconnect the 2 wires attached to the switch.
- Unhook the air pressure line attached to the - (NEG) port. Remove the 2 screws holding the switch to the cold air housing.

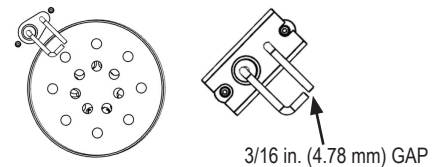
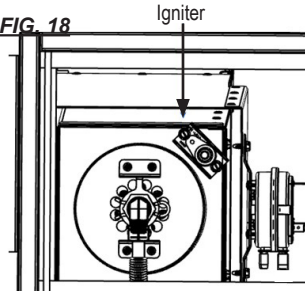
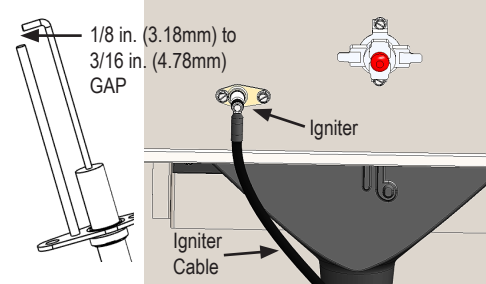
-- Reassemble by reversing above steps.

FIG. 17

Igniter and Flame Sensor Assembly

The igniter is of local sense design, meaning it also serves to sense burner flame. For igniter/flame sensor location see FIG.18 for Premier 40 and FIG. 19 for Premier 80/170.

1. Disconnect the high voltage cable from the igniter assembly.
2. Remove the 2 screws securing the igniter assembly to either the burner or the heat chamber
 - The igniter and ground rod should be cleaned to maintain proper ignition.
 - Use steel wool or emery cloth.
 - Rub briskly to remove buildup of dust, dirt, and oxide.
 - Check the igniter's ceramic base for cracks. -- Replace the igniter if cracks are found.

FIG. 18**FIG. 19**

Manual Reset High Limit Switch

! WARNING Fire Hazard

- Do not operate the heater with the high limit switch bypassed.
- Operating the heater with the high limit switch bypassed or jumper-ed may lead to overheating, possibly resulting in a fire, with subsequent damage to the heater or property damage.

Premier 40 has one high limit switch; located directly below the burner on the underside of the heat chamber.

Premier 80/170 has two limit switches, one inside the solid door end on the heater chamber, the other inside the louvered door end mounted on the fan housing side panel.

The high limit switches can be easily identified by a red reset button in the center of the switch. See FIG. 20 & 21, Premier 170 shown.

FIG. 20

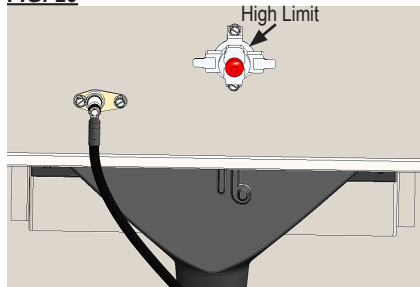
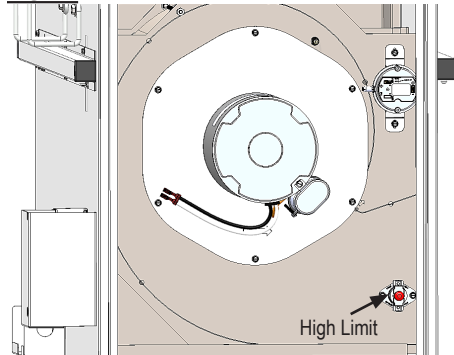


FIG. 21



Function

If the heater overheats, the high limit switch can trip, opening the electrical circuit to the gas control valve. Overheating is generally caused by duct restrictions, low voltage, blocking the heater's air inlet, or excessive gas pressure.

Resetting

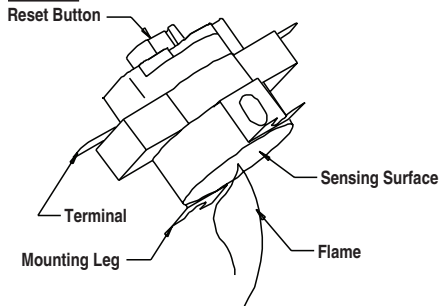
If the high limit switch trips; remove the red cap and firmly press the reset button in the middle of the switch. Then, shut the heater off and turn it back on. Determine the cause of the limit tripping.

Testing

To ensure proper function of this critical safety component, test the switch annually, typically when the heater is given a thorough cleaning.

1. Remove the high limit switch from the heater.
2. With a pliers hold the switch by one of its mounting legs, apply a small, soft flame only to the sensing portion on the back of the switch. See Fig. 22. Be careful not to melt the plastic housing of the switch when conducting this test.
3. Within a minute, you should hear a click coming from the switch, indicating the contacts of the switch have opened.
4. Allow the switch cool down for about a minute. Remove the red cap and firmly press the reset button on the switch.
5. Check for electrical continuity across the switch terminals to make sure the contacts have closed. Install the red cap; reinstall back into the heater and connect the wires to the terminals.

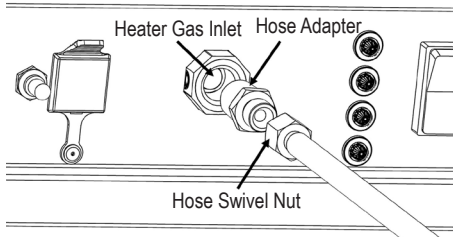
FIG. 22



Gas Control Valve

1. Disconnect the heater from its power source.
2. Remove the gas supply hose and hose adapter from the heater's gas inlet. See Fig. 23, Premier 40 shown.

FIG. 23



3. Open the door to gain access to the components.
4. Remove the brown and green wires attached at the top of the gas valve.
5. Remove the brass compression nut securing the stainless steel flexible gas line to the outlet of the gas valve.

Premier 40

- Remove the 4 screws securing the gas valve bracket to the heater's base.

Premier 80/170

- Remove the 2 screws securing the left gas valve bracket.

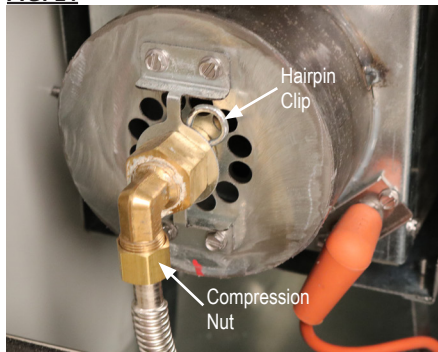
6. Remove the gas valve from the heater.

Burner Orifice

Premier 40

1. Remove the brass compression nut from the elbow of the orifice holder.
2. Remove the hairpin clip securing the orifice holder to the burner bracket. See Fig. 24.
3. Pull the orifice assembly out.

FIG. 24

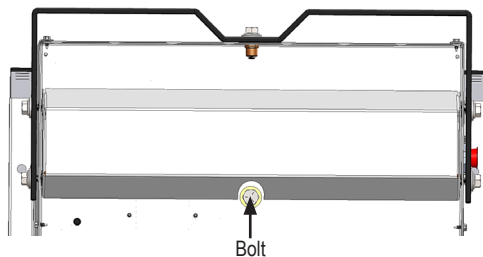


Premier 80/170

1. Remove the brass compression nut securing the stainless steel flexible gas line to the elbow of the orifice holder.
2. Remove the bolt under the base securing the orifice holder and burner casting to the base. See Fig. 26, Premier 170 DF shown.

FIG. 25

Heater Bottom View



3. Pull the orifice assembly out.

Ignition control

The control sends and receives voltages to operate or verify operation of components. Refer to the following and Fig. 26 to understand the ignition control's terminal designators if doing voltage checks on the control.

L1: Main power supply voltage to control.

IND: Main power supply voltage from control to motor.

LED: Not used

MV: 24 VAC from ignition control through high limit switch to gas control valve.

PS2: 24 VAC return from air proving switch back to ignition control.

PS1: 24 VAC from ignition control to air proving switch.

W: 24 VAC from transformer to ignition control. (without this voltage from the transformer, the ignition control will not function.)

FS: No terminal.

R: No terminal.

X: No terminal

C/COM: Earth ground for transformer and ignition control.

Also refer to "Operation Sequence" within this manual as needed to understand operation of the ignition control during a call for heat.

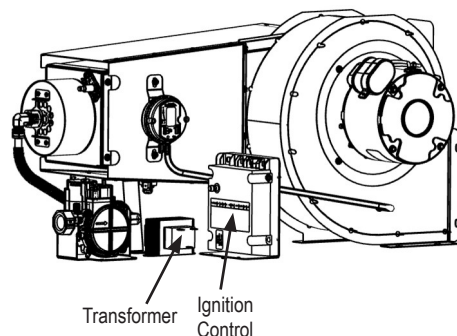
FIG. 26



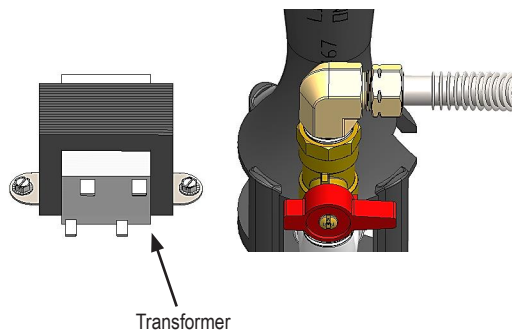
Transformer

The transformer reduces main power supply voltage to 24 VAC for operation of the the ignition control. Without 24 VAC from the transformer, the ignition control will not function, nor will the heater operate.

Premier 40



Premier 80/170, Premier 170 shown



Gas Pressure Checks

⚠ WARNING

- Do not disassemble the gas control valve.
- Do not attempt to replace any components of the gas control valve.
- The gas control valve must be replaced if any physical damage occurs to the control valve assembly.
- Failure to follow this warning will result in fire or explosions, leading to injury or death to humans, and property damage.

- The following explains a typical procedure to be followed in checking gas pressures.
- The gas pressures will vary depending upon fuel type.
- Consult the dataplate on the heater or page 4 in this manual for specific pressures to be used in conjunction with this procedure.
- Gas pressure measured at the inlet to the gas valve is Inlet Pressure and gas pressure measured at the outlet of the gas valve is Burner Manifold Pressure.

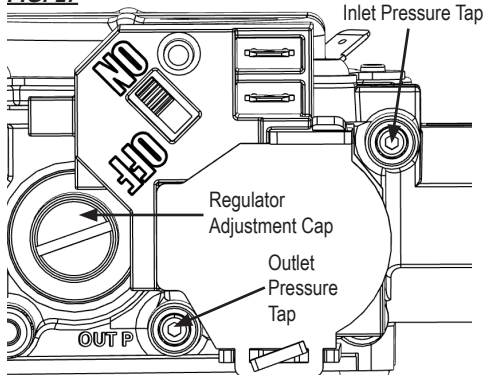
A. Preparation

1. Obtain two pressure gauges capable of reading up to 35 in. W.C.
2. Disconnect the heater from the electrical supply and close the fuel supply valve to the heater inlet.
3. Open the burner access panel.
4. Brush or blow off any dust and dirt on or in the vicinity of the gas control valve.

B. Gauge Installation

1. Locate the inlet and outlet pressure taps, see Fig. 27. Loosen the pressure tap screw using a 3/32 Allen key.

FIG. 27



2. Securely connect a pressure gauge to each pressure tap.
3. Open the fuel supply valves to the heater and reconnect the heater electrical supply.
4. Start the heater

C. Reading Pressures

1. With the heater operating, the pressure gauges should read the pressures specified on the dataplate .
2. Do the readings at the inlet and outlet pressure gauges agree with that specified on the dataplate? If so, then no further checking or adjustment is required. Proceed to section D.
3. If the inlet pressures is not agree with that specified on the dataplate, then the regulator controlling gas pressure to the heater requires adjustment.
4. If the inlet pressures is correct and the burner manifold pressure does not agree with that specified on the dataplate, then the gas control valve's internal pressure regulator requires adjustment. See Fig. 27 for regulator location.
5. Remove the regulator pressure tap cap screw and adjust the internal screw to increase (clockwise) or decrease (counter clockwise) the pressure to the desired pressure.
6. Install the regulator cap back onto the gas valve when completed. Tighten securely.

D. Completion

1. Once the proper inlet and burner manifold pressures have been confirmed and/or properly set, close the fuel supply valve to the heater and allow the heater to burn off any gas remaining in the gas supply line.
2. Disconnect the heater from its electrical supply.
3. Remove the gauges and connecting hoses.
4. Securely tighten the pressure tap screw.
Check for gas leaks.

Troubleshooting Guide

READ THIS ENTIRE SECTION BEFORE BEGINNING TO TROUBLESHOOT PROBLEMS.



WARNING

- This heater can start at any time.
- Troubleshooting this system may require operating the unit with line voltage present and gas on. Use extreme caution when working on the heater.
- Failure to follow this warning may result in property damage, personal injury or death.

The following troubleshooting guide provides systematic procedures for isolating equipment problems. This guide is intended for use by a QUALIFIED GAS HEATER SERVICE PERSON. **DO NOT ATTEMPT TO SERVICE THESE HEATERS UNLESS YOU HAVE BEEN PROPERLY TRAINED.**

TEST EQUIPMENT REQUIRED

The following pieces of test equipment will be required to troubleshoot this system with minimal time and effort.

- Digital Multimeter - for measuring AC and DC voltage and resistance.
- Low Pressure Gauge - for checking inlet and outlet pressures at the gas control valve against dataplate rating.
- Visually inspect equipment for apparent damage.
- Check all wiring for loose connections and worn insulation.

Refer to the system operation sequence in this section to gain an understanding as to how the heater operates during a call for heat. Understanding the sequence of operation is important as it relates to problem solving.

Four green lights are located next to the selector switch. Each light will be activated in sequence as that circuit within the heater is verified by the ignition control. If the circuit is not verified, that respective light will not be activated. The most common heating mode problems are identified

by a green light being OFF if a specific fault occurs. However, two other problems may also occur. See the following.

Identify the specific problem and then refer to the appropriate troubleshooting flow chart.

Heating Mode Problems Page

Power status light not on 27

Transformer status light not on 27

Air proving status light not on 28

Gas control status light not on 29

All lights are on, fan motor runs,
burner does not light..... 30

All lights are on, EXCEPT gas valve light.
Fan motor does not run, burner does not light. .. 31

Heater lights but does not stay lit 31

Ventilation Mode Problem Page

Motor Does Not Run..... 31

Components should be replaced only after each step has been completed and replacement is suggested in the flow chart. Refer to the Servicing sections as necessary to obtain information on disassembly and replacement procedures of the component once the problem is identified by the flow chart.

DIRECT IGNITION OPERATION SEQUENCE:

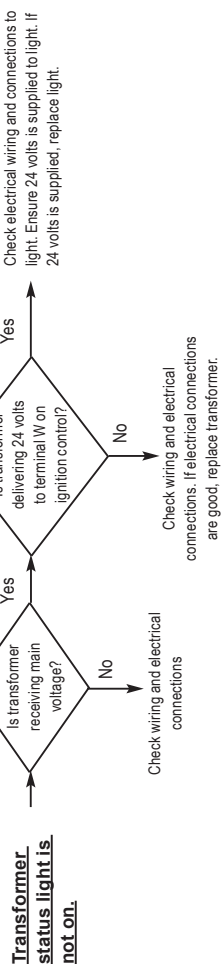
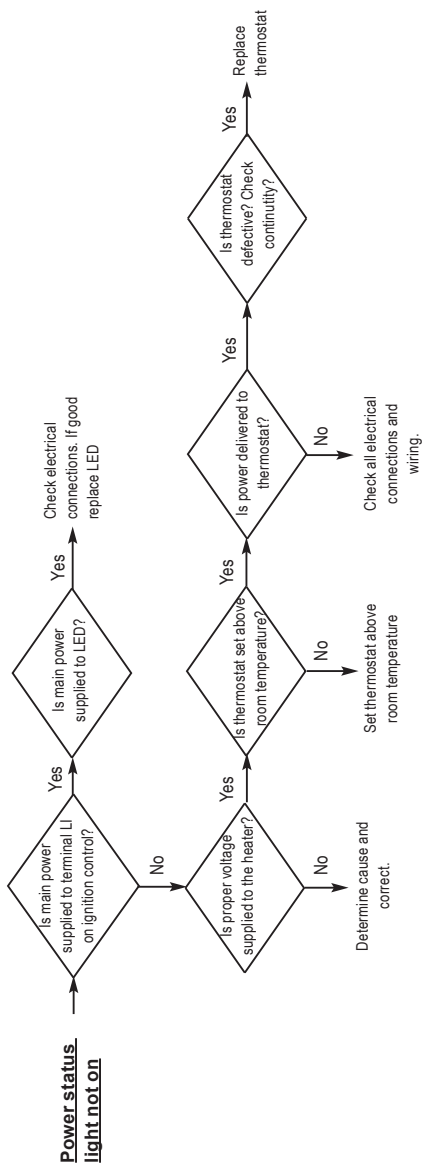
- The thermostat calls for heat.
 - Power light activated indicating heater is receiving its main power supply.
- Line voltage is sent to selector switch.
- Selector switch sends line voltage to the transformer and to ignition control.
- Transformer reduces line voltage to 24 volts which is sent to ignition control.
 - Transformer light is activated indicating that ignition control is receiving 24 volts from transformer.
- Ignition control module performs self safety check.
- Fan motor starts.
- Ignition control module sends 24 volts to air proving switch.
 - Internal components are tested.
 - Air proving circuit is checked and proven.
- Ignition control module begins ignition trial sequence.

- Air proving switch closes and 24 volts are returned to the ignition control module.
 - Air proving switch light is activated indicating that the air proving circuit is operating properly.
- Ignition control module sends high voltage to the igniter electrode.
 - Igniter sparks.
- Ignition control module sends 24 volts to the gas control valve through the high limit switch(es).
 - Gas valve light is activated indicating that gas control valve is receiving 24 volts.
 - Gas control valve opens.
 - Ignition occurs.
- Igniter continues to spark until flame proving occurs.
 - Ignition spark is cut off.
 - Gas valve stays open.
- Room warms to desired temperature.
 - Thermostat is satisfied.
 - Heater shuts down.
- Process starts again on a call for heat.

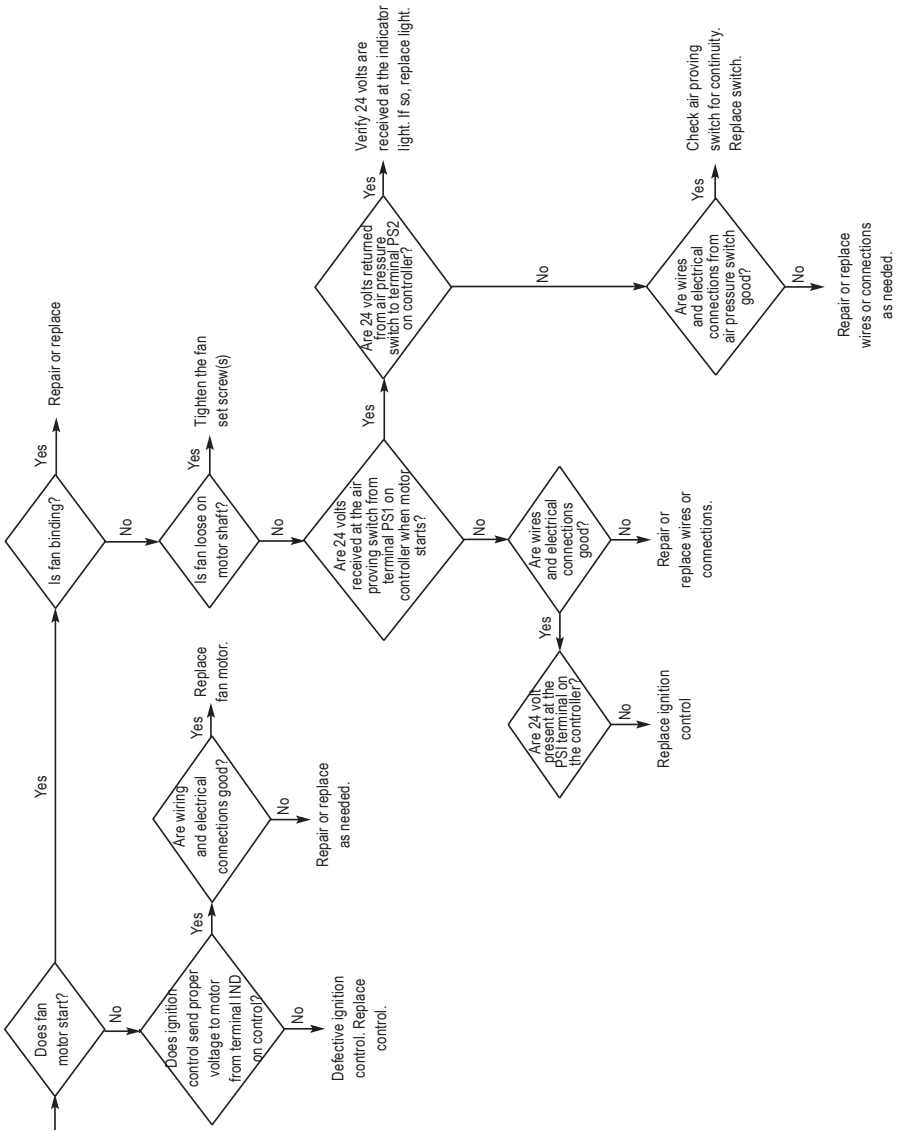
IGNITION FAILURE SEQUENCE:

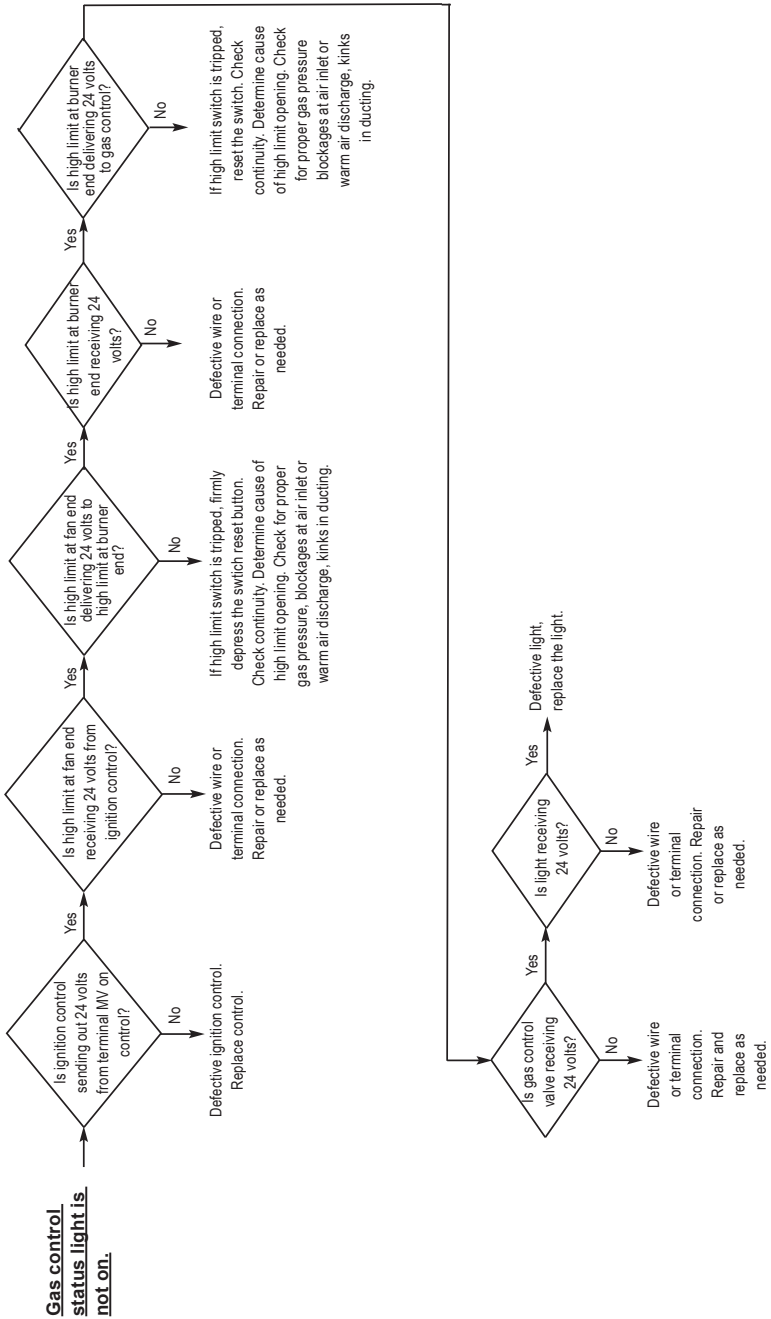
- There are three ignition trials. Each trial takes 10 seconds.
- If burner flame is not maintained at the end of the third trial, the module goes into safety lockout
 - Gas valve closes.
 - Ignition spark shuts off.
 - Fan motor stops.
- **To retry for ignition, the systems must be reset:**
 - Turn the thermostat down and then up to call for heat or unplug heater and plug it back in or
 - Position selector switch to off and then back to on.

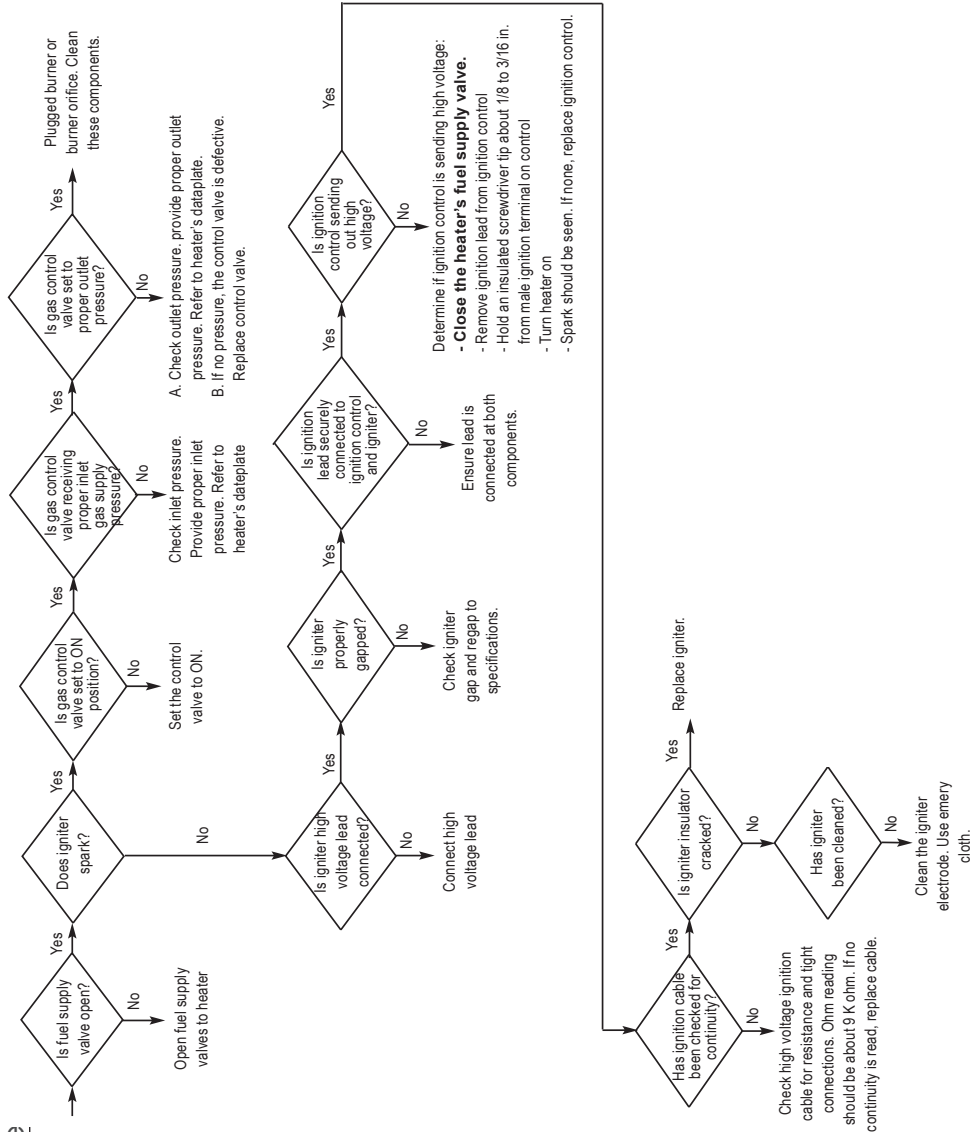
HEATING MODE: All lights are ON → **Normal operation**



Air proving status light is not on.







www.lbwwhite
**All lights are on.
 Fan motor runs
 but burner does
 not light.**

All lights are on, EXCEPT gas valve light. Fan motor does not run, burner does not light.

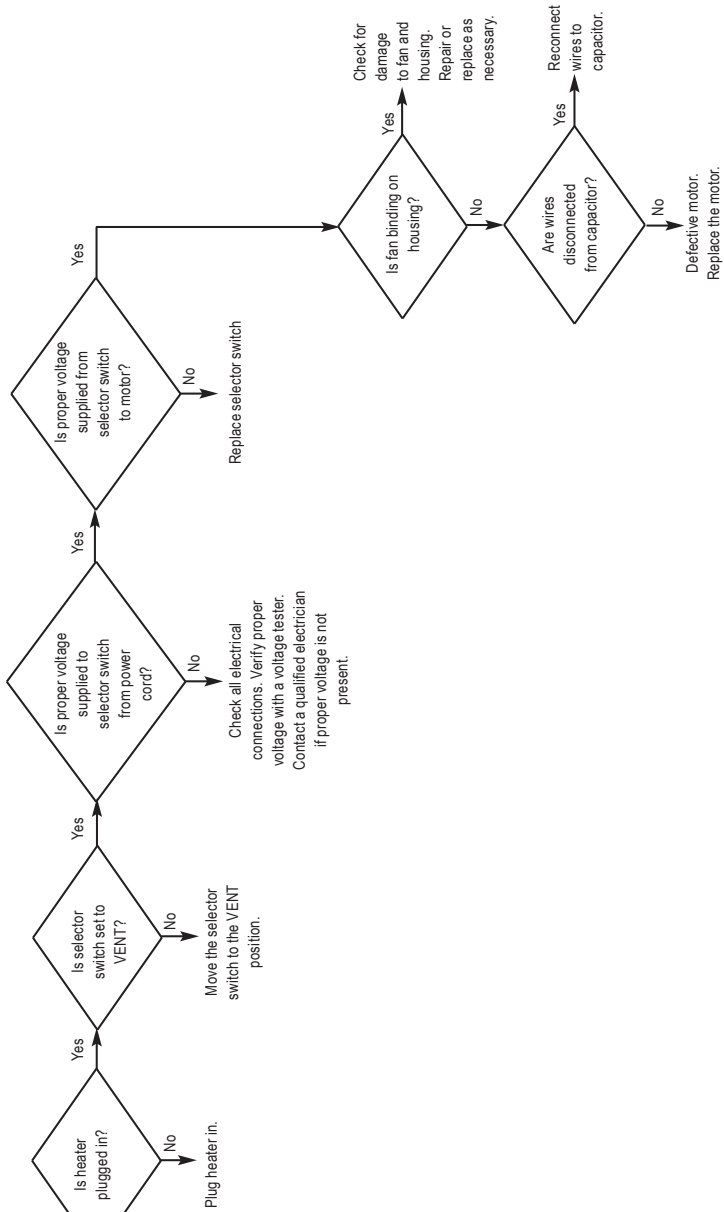
↑
Air proving switch has failed in the closed position. Check for air flow obstruction and continuity; if not found replace the switch.

All lights are on. Burner lights but does not stay lit.

↑
Caused by poor flame sense or flame sense related problems. Check for cracked or dirty flame sensor, improperly positioned sensor, or poor power supply grounds. (The heater requires a grounded electrical supply for continued operation.)

VENTILATION MODE:

**Problem
Motor does
not run.**

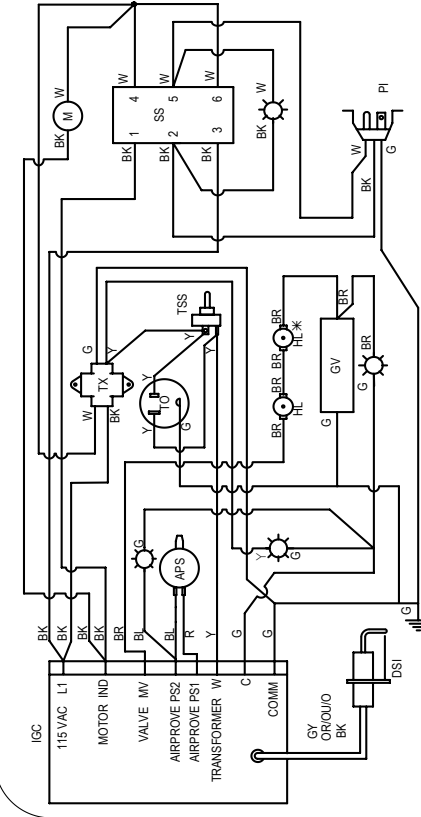


CAUTION

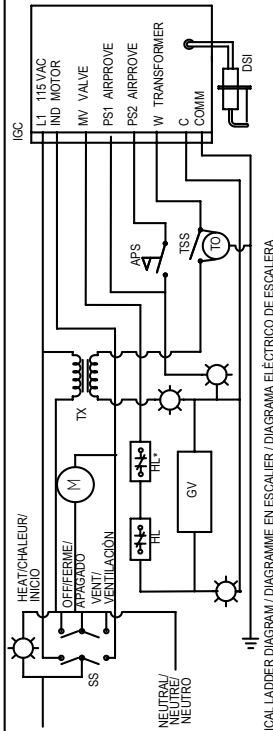
Always refer to the heater's electrical connection diagram when servicing to avoid wiring errors and heater malfunction. Check for proper operation after servicing.

- BK: Black/Noir/Negro G: Green/Vert/Verde
 - BL: Blue/Bleu/Azul BR: Brown/Bruin/Marrón
 - R: Red/Rouge/Rojo W: White/Blanc/Bianco
 - GY: Gray/Gris Y: Yellow/Jaune/Amarillo
- APS: Air Proving Switch/Interrupteur de Vérification de Débit d'Air/Interruptor de Comprobación de Aire
- DSI: Direct Sense Igniter/Allumeur Direct/Encendedor
- GV: Gas Control Valve/Valve de Commande de Gaz/Valvula de Control de Gas
- HL: High Limit Heat Switch/Interrupteur de Limite Elevée/Interruptor de Limite Superior
- IGC: Ignition Control/Control de Allumage/Control de Encendido de Chispa
- M: Motor/Moteur
- PI: Power Inlet/Entrée d'Alimentation/Entrada de Energia
- SS: Selector Switch/Sélecteur/Interruptor de Selección
- TO: Thermostat outlet/Sortie thermostat/salida del termostato
- TSS: Thermostat selector switch/Interrupteur de selection du thermostat/Interruptor selector del termostato
- TX: Transformer/Transformateur/Transformador
- LED/Voyant DEL/Luz
- Earth Ground/Mise a la Terre/Conexiona Tierra
- * Only 1 High Limit Heat Switch on TSO40/Un seul Interrupteur de Limite Elevée sur le TSO40/Solo 1 Interruptor de Limite Superior en TSO40

150-122561 REV. B
TEMPERATURE RATING OF AT LEAST 302°F (150°C).
TEMPERATURA NOMINAL DE AL MENOS 302°F (150°C).
TEMPERATURA DE AL MENOS 302°F (150°C).



ELECTRICAL CONNECTION DIAGRAM / CONEXIONS ELECTRIQUES / DIAGRAMA DE CONEXIONES ELÉCTRICAS

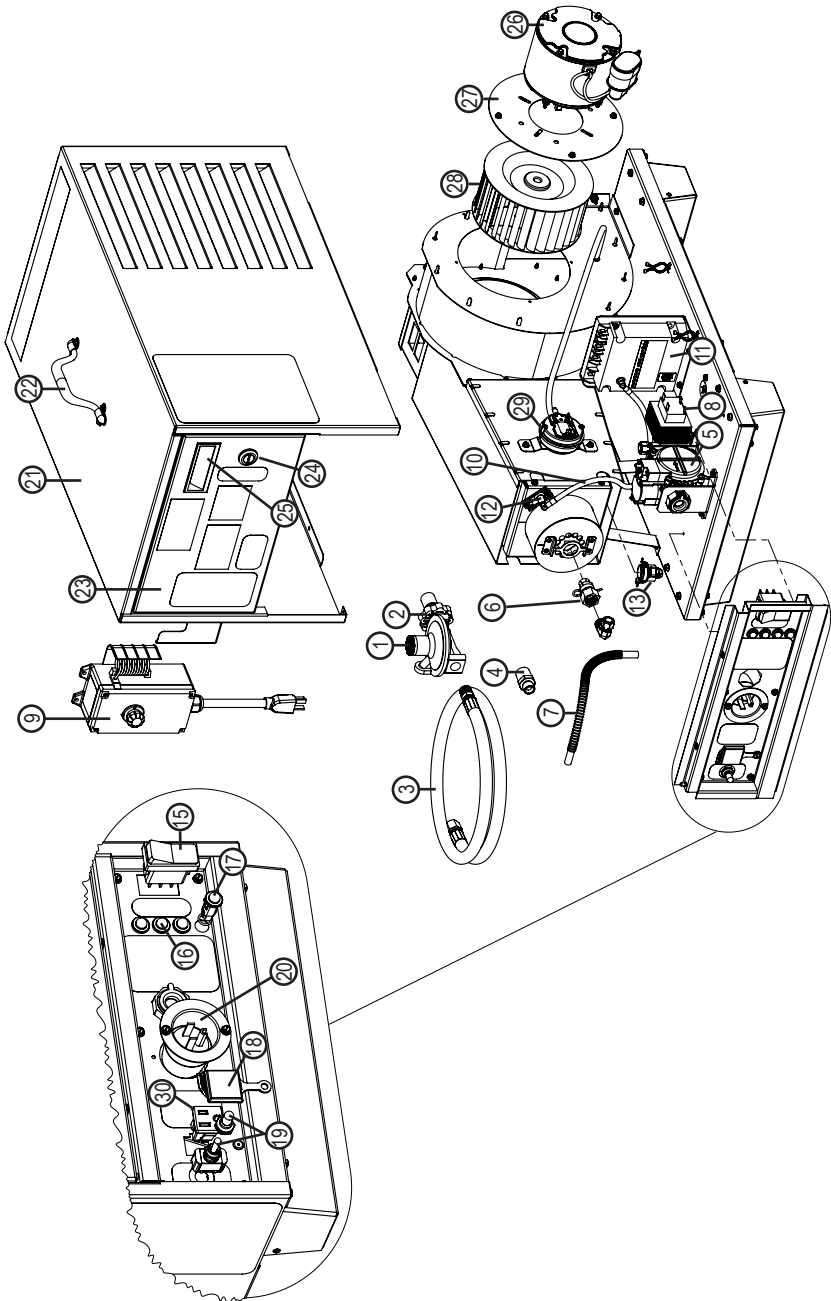


ELECTRICAL LADDER DIAGRAM / DIAGRAMME EN ESCALIER / DIAGRAMA ELÉCTRICO DE ESCALERA

IF ANY OF THE ORIGINAL WIRING IS SUPERSEDED THE HEATER MUST BE REPLACED.
SI ALGUNA DE LAS CONEXIONES ELÉCTRICAS ORIGINALES FUE REEMPLAZADA POR OTRA, EL HEATER DEBE SER REEMPLAZADO.
SI SE DEBE CAMBIAR CUALQUIER CABLE ORIGINAL PROPORCIONADO CON EL APARATO, SE DEBE CAMBIAR POR UN CABLE CON UNA CLASIFICACION DE TEMPERATURA DE AL MENOS 302°F (150°C).

Notes

Service Parts Identification Schematic Premier 40 - Serial number L000464975 or newer



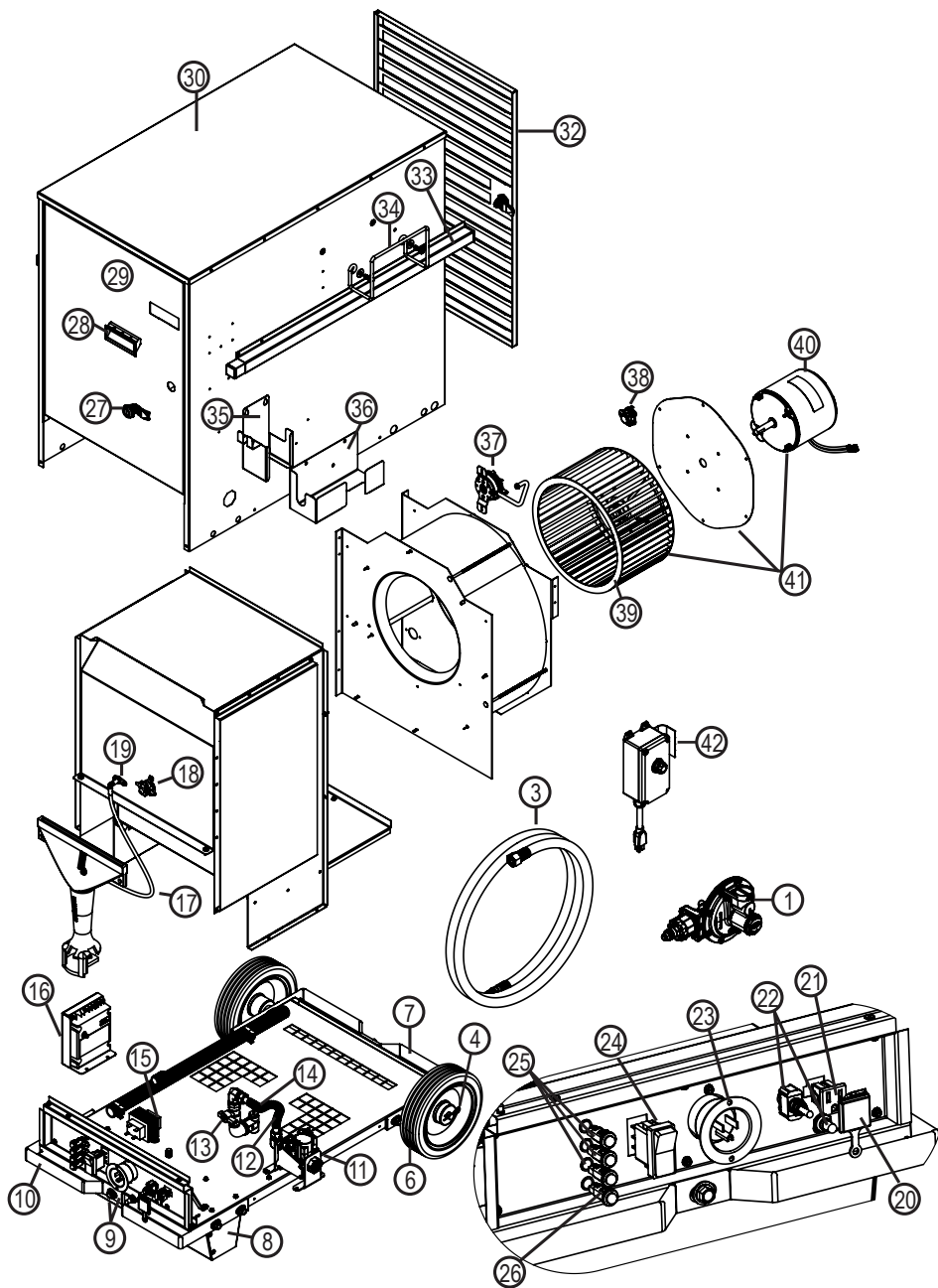
Service Parts Identification Schematic

Premier 40

Item	Description	Part Number	
1	Regulator, Propane Gas w/ POL & Hand wheel	500-26377	
2	Handwheel W/Spring	500-26395	
3	Hose 3/8"x15' 3/8"NPT x 5/8-18 Swivel W/adapter	550-22277	
4	Hose Adapter 5/8-18 x 1/2"NPT	573804	
5	*Gas Valve, set to 8 IN. W.C.	574154	
	*Gas Valve, set to 10 IN. W.C.	574240	
6	*Burner, Orifice, 8 IN. W.C.	574235	
	*Burner, Orifice, 10 IN. W.C.	574156	
7	Fuel Line, 11.75", Stainless Steel W/Nuts and Sleeves	574155	
8	Transformer	509615	
9	Thermostat, w/ 1.4 ft. cord	500-132976	
	Thermostat, w/ 25 ft. cord	500-30125	
10	Igniter Wire	572847	
11	Control, Ignition	573946	
12	Igniter	574157	
13	Switch, High Limit	573099	
14	Harness, Wire (Not pictured)	574158	
15	Selector Switch, On/Off/Vent	574122	
16	Status Light, Green 24 Volt	574159	
17	Status Light, Green 120 Volt	573770	
18	Thermostat Outlet Cover	574138	
19	Thermostat Selector Switch W/Boot	570456	
20	Power Plug, Recessed	574125	
21	Case Assembly	574160 (Rev. A)	574319 (Rev. B)
22	Top Handle W/Screws	572522	
23	Door Assembly	574161	
24	Door Latch	574162	
25	Door Handle, Recessed	574124	
26	Motor	520290	
27	Motor Mount	574163	
28	Fan Wheel	570230	
29	Air Pressure Switch w/ Bracket	574239	
30	Receptacle Snap In	573570	

* See heater dataplate for manifold pressure

Service Parts Identification Schematic Premier 80/170 (Premier 170 shown)



www.lbwhite.com

Service Parts Identification Schematic

Premier 80/170

Item	Description	CS080	TS080	CS170	TS170
1	Regulator	573610	500-26377	500-26423	500-26419
2	Hand Wheel with Spring (Not Shown)	500-26395			
3	Universal Hose Kit, 15 ft./4.57m Hose w/ adapters	500-24600			
4	Cotter Pin	N/A		500-26417	
5	Axle Kit (Not Shown)	N/A		500-26415	
6	Wheel Kit	N/A		500-26418	
7	Handle, Bracket, Motor End	N/A		500-26427	
8	Leg Bracket Kit	574419		574420	
9	Bolt and Washer	574210			
10	Handle, Bracket, Burner End	N/A		500-26426	
11	Valve, Gas Control	574154			
12	Tube, CSST, 8" w/ Unions	574012			
13	Valve, Gas Selector (DF Only)	574205	N/A	574198	N/A
14	Orifice, Burner	574213	574214	574211	574212
15	Transformer	509615			
16	Control, Ignition	573946			
17	Lead, Ignition, 17"X5MM	574262			
18	Switch, High Limit, Burner End	503933			
19	Igniter	574196			
20	Cover, Thermostat Outlet	574138			
21	Receptacle, Snap In	573570			
22	Switch, Selector Thermostat w/ Boot	570456			
23	Inlet, Flanged, Power Receptical	574125			
24	Switch, Rocker, ON/OFF/ON	574122			
25	Light, Status, Green, 24 Volt	574159			
26	Light, Status, Green, 120 Volt	573770			
27	Latch, Door	574162			
28	Handle, Door, Recessed	574124			
29	Door, Burner End	574208	574216	574202	574215
30	Case, Wrapper Assembly	574207	574206	574201	574200
31	Handle, Case Top (Not Shown)	571628		N/A	
32	Door, Motor End	574209		574203	
33	Handle, Sliding	N/A		571760	

Service Parts Identification Schematic

Premier 80/170

Item	Description	CS080	TS080	CS170	TS170
34	Hanger, Hose	571619			
35	Bracket, Thermostat Storage	574217			
36	Bracket, Regulator Storage	N/A		574314	574315
37	Switch, Air Pressure	574239			
38	Switch, High Limit, Motor End	571671		571400	
39	Wheel, Fan	570304		570481	
40	Motor	520292		520169	
41	Motor, Motor Mount Plate, Fan Wheel Assembly	574204		574197	
42	Thermostat, w/ 1.4 ft. cord	500-132976			
	Thermostat, w/ 25 ft. cord	500-30125			

Manual Rev./Changes

Date	Rev.	Revision Change	Description
1/15/2020	A	No	Released-Premier 40
8/17/2020	B	Yes	Added Premier 80/170 2.0 to owner's manual
9/28/2020	C	Yes	Premier 40 manifold pressure was 10.0 in. W.C.
12/9/2020	C	No	Updated regulator installation instructions
11/4/2021	C	No	Premier 80 motor service number was 520290
11/24/2021	C	No	Gas valve service number was 574199
12/2/2021	C	No	Regulator holder service number was 500-26442
1/10/2022	C	No	Added B series Case assembly
5/19/2022	C	No	Updated NG regulator supply pressure requirement
8/12/2022	C	No	Updated Premier 80 2.0 & 170 2.0 leg service number
9/6/2022	C	No	Added installation notice

Warranty Policy

HEATER

L.B. White Company, LLC warrants that the component parts of its heater are free from defects in material and workmanship, when properly installed, operated, and maintained in accordance with the Installation and Maintenance Instructions, safety guides and labels contained with each unit. If, within 24 months from the date of purchase by the end user, any component is found to be defective, L.B. White Company, LLC will at its option, repair or replace the defective part or heater, with a new part or heater, F.O.B., Onalaska, Wisconsin. Registering your product online with L.B.White will automatically qualify a unit and its component parts for warranty consideration. If a product has not been registered with L.B.White, a copy of the bill of sale will be required to establish warranty qualification. If neither is available, the warranty period will be 24 months from date of shipment from L.B. White.

PARTS

L.B. White Company, LLC warrants that replacement parts purchased from the company and used on the appropriate L.B. White equipment are free from defects both in material and workmanship for 12 months from the date of purchase by the end user. Warranty is automatic if a component is found defective within 12 months of the date code marked on the part. If the defect occurs more than 12 months later than the date code but within 12 months from the date of purchase by the end user, a copy of a bill of sale will be required to establish warranty qualification.

The warranty set forth above is the exclusive warranty provided by L.B. White, and all other warranties, including any implied warranties or merchantability or fitness for a particular purpose, are expressly disclaimed. In the event any implied warranty is not hereby effectively disclaimed due to operation of law,

such implied warranty is limited in duration to the duration of the applicable warranty stated above. The remedies set forth above are the sole and exclusive remedies available hereunder. L.B. White will not be liable for any incidental or consequential damages directly or indirectly related to the sale, handling or use of the equipment, and in any event L.B. White's liability in connection with the equipment, including for claims based on negligence or strict liability, is limited to the purchase price.

Some states do not allow limitations on how long an implied warranty lasts, so the above limitation may not apply to you. Some states do not allow the exclusion or limitation of incidental or consequential damages, so the above limitation or exclusion may not apply to you. This warranty gives you specific legal rights, and you may also have other rights which vary from state to state.

To register your product and ensure full warranty, go to http://www.lbwhite.com/customer_care_center/product-registration/. Please have the serial number(s) and model(s) handy for the products you are registering.

Service

Contact your local L.B. White dealer for replacement parts and service. You may also call the L.B. White Company, LLC at 1-800-345-7200, for assistance, or email us at customerservice@lbwhite.com.

Be sure that you have your heater model number and configuration number when calling.



WORLD PROVIDER - INNOVATIVE HEATING SOLUTIONS

411 Mason Street, Onalaska, WI 54650

800-345-7200 • 608-783-5691

608-783-6115 (fax)

www.lbwhite.com



Premier Calefactores canalizados

TS040	40 000 Btuh / 11,7 kW
CS/TS080 2.0	80 000 Btuh / 23,4 kW
CS/TS170 2.0	170 000 Btuh / 49,8 kW

Retiro de vapor LP o combustible dual

Para ver este manual en línea, visite www.lbwhite.com

Atención

Este calefactor ha sido probado y evaluado por OMNI Test Laboratories según los requisitos de la norma ANSI Z83.7-2017•CSA 2.14-2017, y está clasificado y aprobado como calefactor para construcciones canalizadas de gas directo y aire forzado, con aplicación para calefacción transitoria de edificios en construcción, bajo modificaciones o reparaciones. A su vez, este calefactor ha sido revisado y aprobado por OMNI Test Laboratories para aplicaciones de calefacción de carpas con ocupación humana temporaria en Estados Unidos y Canadá. SI TIENE PREGUNTAS SOBRE LAS APLICACIONES, CONSULTE A SU AUTORIDAD LOCAL DE SEGURIDAD EN MATERIA DE INCENDIOS, SU PROVEEDOR DE GAS COMBUSTIBLE O L.B. WHITE COMPANY.

www.lbwhite.com

VEA LAS INSTRUCCIONES DE MONTAJE EN EL INTERIOR

Consulte la información importante sobre elevación en la portada interna.



Reporte No: 0545GH004S



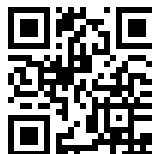
¡Felicitaciones!

Acaba de comprar el mejor calefactor circulante disponible. Su nuevo calefactor L.B. White incorpora los beneficios del más experimentado fabricante de productos de calefacción con tecnología de avanzada.

En L.B. White, le agradecemos la confianza depositada en nuestros productos y serán bien recibidos los comentarios y las sugerencias que pueda tener. Llámenos a nuestra línea gratuita al 1-800-345-7200.

AVISO

Las instrucciones de instalación aquí contenidas son las de L.B. White Co. LLC sugirió recomendaciones y pautas para la instalación temporal o permanente de L.B. Calefactores White Co. LLC. Los requisitos de los códigos eléctricos y de seguridad locales, estatales y estatales reemplazan estas pautas. En ausencia de códigos locales, consulte la página 7 para la instalación en EE. UU. o Canadá.



ESCANEE ESTE CÓDIGO

con su teléfono inteligente o visite <http://goo.gl/nvneR> para ver videos sobre el mantenimiento de los calefactores L.B.White.*

* Requiere una aplicación como QR Droid para Android o para iPhone

PROVEEDOR MUNDIAL; SOLUCIONES INNOVADORAS DE CALEFACCIÓN

411 Mason Street, Onalaska, WI 54650 • 800-345-7200 • 608-783-5691 • 608-783-6115 (fax) • www.lbwhite.com

ÍNDICE

Especificaciones del calefactor	4
Información general.....	5
Medidas de seguridad	5
Instrucciones generales de instalación.....	9
Tamaño del suministro de gas propano.....	11
Soporte de almacenamiento del termostato.....	12
Conexión de termostato	12
Conexión del regulador al suministro de gas	14
Instrucciones de puesta en marcha.....	15
Instrucciones de apagado	16
Instrucciones de limpieza	17
Instrucciones de mantenimiento.....	17
Instrucciones de servicio	18
Comprobaciones de presión de gas.....	23
Información para la resolución de problemas.....	24
Diagrama de conexión eléctrica y de escalera.....	31
Esquema de piezas y lista de piezas	32
Política de garantía.....	38



ADVERTENCIA

Los productos estándar se fabrican para funcionar con la máxima eficacia a elevaciones de entre 0 y 2000 pies (0 y 610 m) sobre el nivel del mar.

Si se hace funcionar a elevaciones mayores, este producto no funcionará correctamente y puede resultar inseguro. Puede haber disponibles productos que aseguren un funcionamiento adecuado a elevaciones alternativas.

Si necesita un producto para altas elevaciones, no lo especificó al pedirlo o la caja en la que vino esta unidad no tiene una etiqueta adhesiva de designación de altitud alternativa, comuníquese con el servicio técnico.

ADVERTENCIA GENERAL

- SI NO SE CUMPLE CON LAS PRECAUCIONES E INSTRUCCIONES SUMINISTRADAS CON EL CALEFACTOR, ESTE PUEDE OCASIONAR:
 - LA MUERTE
 - QUEMADURAS O LESIONES GRAVES
 - DAÑOS O PÉRDIDAS MATERIALES POR INCENDIO O EXPLOSIÓN
 - ASFIXIA DEBIDO A LA FALTA DE UN SUMINISTRO DE AIRE ADECUADO O ENVENENAMIENTO POR MONÓXIDO DE CARBONO
 - DESCARGAS ELÉCTRICAS
- LEA DETENIDAMENTE ESTE MANUAL DEL USUARIO ANTES DE INSTALAR O USAR ESTE PRODUCTO.
- SOLO AQUELLAS PERSONAS QUE PUEDAN LEER, COMPRENDER Y SEGUIR LAS INSTRUCCIONES DEBEN USAR O SOMETER A SERVICIO ESTE CALEFACTOR.
- GUARDE ESTE MANUAL DEL USUARIO PARA CONSULTARLO Y USARLO EN EL FUTURO.
- HAY MANUALES DEL PROPIETARIO DE REEMPLAZO DISPONIBLES. CONSULTE EL SITIO WEB O CONTÁCTESE CON L.B. WHITE AL 1-800-345-7200.

ADVERTENCIA

- SE DEBERÁ PROPORCIONAR UNA PRESIÓN DE SUMINISTRO DE GAS APROPIADA A LA ENTRADA DEL CALEFACTOR.
- CONSULTE LA PLACA DE DATOS PARA OBTENER INFORMACIÓN SOBRE LA PRESIÓN DE SUMINISTRO DE GAS ADECUADA.
- SI LA PRESIÓN DE GAS SUPERA LA PRESIÓN DE ENTRADA MÁXIMA ESPECIFICADA EN LA ENTRADA DEL CALEFACTOR, SE PUEDEN PRODUCIR INCENDIOS O EXPLOSIONES.
- LOS INCENDIOS O LAS EXPLOSIONES PUEDEN CAUSAR LESIONES GRAVES, LA MUERTE O DAÑOS EN LA CONSTRUCCIÓN.
- SI LA PRESIÓN DEL GAS ES INFERIOR A LA PRESIÓN DE ENTRADA MÍNIMA ESPECIFICADA EN LA ENTRADA DEL CALEFACTOR, LA COMBUSTIÓN PUEDE SER INADECUADA.
- LA COMBUSTIÓN INADECUADA PUEDE CAUSAR ASFIXIA O ENVENENAMIENTO POR MONÓXIDO DE CARBONO, Y ASÍ OCASIONAR LESIONES GRAVES O LA MUERTE.

ADVERTENCIA **PELIGRO DE INCENDIO Y EXPLOSIÓN**

- NO DEBE USARSE EN VIVIENDAS NI EN VEHÍCULOS RECREATIVOS.
- LA INSTALACIÓN DE ESTE CALEFACTOR EN UNA VIVIENDA O EN UN VEHÍCULO RECREATIVO PUEDE OCASIONAR UN INCENDIO O UNA EXPLOSIÓN.
- LOS INCENDIOS O EXPLOSIONES PUEDEN OCASIONAR DAÑOS MATERIALES O LA MUERTE.

ADVERTENCIA **PELIGRO DE INCENDIO, QUEMADURAS, INHALACIÓN Y EXPLOSIÓN**

- MANTENGA LOS COMBUSTIBLES SÓLIDOS A UNA DISTANCIA SEGURA DEL CALEFACTOR.
- ENTRE LOS COMBUSTIBLES SÓLIDOS SE INCLUYEN PRODUCTOS DE MADERA, PAPEL O PLÁSTICO, MATERIALES DE CONSTRUCCIÓN Y POLVO.
- NO USE EL CALEFACTOR EN ESPACIOS DONDE HAYA O PUEDA HABER COMBUSTIBLES VOLÁTILES O EN SUSPENSIÓN EN EL AIRE.
- ENTRE LOS COMBUSTIBLES VOLÁTILES O EN SUSPENSIÓN EN EL AIRE SE INCLUYEN LA GASOLINA, LOS SOLVENTES, EL DILUYENTE DE PINTURA, LAS PARTÍCULAS DE POLVO Y LAS SUSTANCIAS QUÍMICAS DESCONOCIDAS.
- SI NO SIGUEN ESTAS INSTRUCCIONES, SE PUEDE PROVOCAR UN INCENDIO O UNA EXPLOSIÓN.
- LOS INCENDIOS O LAS EXPLOSIONES PUEDEN CAUSAR DAÑOS MATERIALES, HERIDAS O LA MUERTE.

PARA SU SEGURIDAD

No almacene ni use gasolina u otros vapores y líquidos inflamables cerca de este o de cualquier otro artefacto.

PARA SU SEGURIDAD

Si siente olor a gas:

1. Abra las ventanas.
2. No toque los interruptores.
3. Apague toda llama abierta.
4. Llame inmediatamente a su proveedor de gas.

ADVERTENCIA

Cáncer y daño reproductivo.
Ver www.P65Warnings.ca.gov.

Especificaciones

		TS040	CS080	TS080	CS170	TS170		
Tipo de combustible		Propano	Propano	Gas natural	Propano	Propano	Gas natural	Propano
Entrada máxima (Btu/h / kWh)		40 000 / 11,7	80 000 / 23,4		170 000 / 49,8			
Presión del colector del quemador (pulgadas de columna de agua / kPa)		8,0 / 2,0						
Presión de suministro de gas aceptable en la entrada del calefactor para el propósito de ajuste de entrada (pulgadas de columna de agua / kPa)		Máximo 13,5 / 3,36						
		Mínimo 11,0 / 2,74						
Consumo de combustible por hora		1,86 / 0,84	3,71 / 1,68	80 / 1,99	3,71 / 1,68	7,88 / 3,5	170 / 4,81	7,88 / 3,5
Propano (libras / kg)								
Gas natural (cu. ft / m ³)								
Características del motor		Rodamiento						
		1/12 HP / 60 vatios 1 700 r. p. m.	1/8 HP / 93 vatios 1 100 r. p. m.			1/3 HP / 248 vatios 1 100 r. p. m.		
Suministro eléctrico (Voltios/Hz/fase)		120 / 60 / 1						
Amperaje	Arranque	2,6	5,0			7,3		
	Operación continua	1,0	1,5			5,0		
Dimensiones (pulgadas/cm) Lar x An x Al		24,8 x 14,5 x 16,2 / 63 x 36,8 x 41,1	28 x 13,5 x 22,75 / 71,1 x 34,3 x 57,8			30,75 x 18,25 x 28,25 / 78 x 46,3 x 71,7		
Distancias seguras mínimas del calefactor a los materiales combustibles más cercanos (pies/metros)	Parte superior	1 / 0,3						
	Laterales	1 / 0,3						
	Parte inferior	1 / 0,3						
	Salida del soplador	6 / 1,83						
	Suministro de gas	Gas propano - Estados Unidos: 6 / 1,83 Canadá: 10 / 3,05 Gas natural - N/C						
Temperatura ambiente mínima a la que se puede usar el calefactor		-20°F / -29°C						

Información general

En este manual del usuario se incluyen los accesorios que se usan comúnmente en este calefactor. Estos accesorios se deben pedir por separado. Cuando llame para solicitar asistencia técnica, o para obtener cualquier otra información específica, **siempre** tenga disponible el número de modelo, el número de configuración, y el número de serie. Esta información se encuentra en la placa de datos. Este manual le brindará instrucciones sobre el funcionamiento y el cuidado de su unidad. Pida a su instalador que revise junto a usted este manual para poder comprender perfectamente el calefactor y su funcionamiento. Póngase en contacto con su distribuidor local de L.B. White Company, LLC para obtener ayuda, o bien si tiene preguntas sobre el uso del equipo o sobre su aplicación. L.B. White Company, LLC tiene una política de mejoramiento continuo de sus productos. La empresa se reserva el derecho de cambiar especificaciones y diseño sin previo aviso.

Precauciones de seguridad



ADVERTENCIA

Peligro de asfixia

- No use este calefactor para calentar viviendas humanas.
- El uso de calefactores de combustión directa en el entorno de la construcción puede provocar la exposición a niveles de CO, CO₂ y NO₂ que se consideran peligrosos para la salud y potencialmente peligrosos para la vida.
- No lo utilice en áreas sin ventilación.
- Conozca los síntomas de intoxicación por CO y CO₂
 - Dolores de cabeza, picazón en los ojos.
 - Mareos, desorientación.
 - Dificultad para respirar, sensación de sofocamiento.
- Se debe proporcionar un intercambio de aire de ventilación adecuado (OSHA 29 CFR 1926.57) para soportar las combustiones y mantener una calidad de aire aceptable de acuerdo con OSHA 29 CFR parte 1926.154, ANSI A10.10 Requisitos de seguridad para dispositivos y equipos de calentamiento de espacio temporal y portátil utilizados en la industria de la construcción o los Códigos de Instalación de Gas Natural y Propano CSA B149.1.
 - Controle periódicamente los niveles de CO, CO₂ y NO₂ existentes en el sitio de construcción, como mínimo al inicio del turno y después de 4 horas.
 - Proporcione un intercambio de aire de ventilación, ya sea natural o mecánico, según sea necesario, para mantener una calidad de aire interior aceptable.

EE. UU. 8-Hr. Promedio ponderado en el tiempo Canadá 8 h. Promedio ponderado en el tiempo
(OSHA 29 CFR 1926.55 Ap A) Directrices de WorkSafe BC OHS Parte 5.1

CO	50 ppm	y sitios de trabajo de Ontario Reg 833
CO ₂	5000 ppm	25 ppm
NO ₂		5000 ppm
		3 ppm (Reg 833)

EE. UU.: Límite tope
(Límite de exposición a corto plazo = 15 minutos)

Canadá STEL (15 minutos, reg. 833/1 hr.
WSBC) Directrices de seguridad laboral
parte 5.1 y sitios de trabajo de Ontario Reg.

833

CO		100 ppm
CO ₂		15 000 ppm (WSBC)
		30 000 ppm (Reg. 833)
NO ₂	5 ppm	1,0 ppm
		(WorkSafeBC)
		5,0 ppm (Reg. 833)

- Asegúrese de que el flujo de combustión y el intercambio de aire de ventilación no se puedan obstruir.
- A medida que el edificio se "ajusta" durante las fases de construcción, es posible que se necesite aumentar la ventilación.

Olor a gas combustible

El gas propano y el gas natural contienen aromatizantes artificiales agregados específicamente para la detección de fugas de gas combustible. Si se produce una fuga de gas, debería estar en capacidad de oler el gas combustible. ¡ESA SERÁ LA SEÑAL PARA ACTUAR DE INMEDIATO!

- No realice acciones que puedan encender el gas combustible. No accione interruptores eléctricos. No tire de cables de corriente ni extensiones. No encienda fósforos ni ninguna otra fuente de fuego. No use su teléfono.
- Haga que todos salgan del edificio y que se alejen del área inmediatamente.
- Cierre todas las válvulas de suministro de combustible.
- El gas propano es más pesado que el aire y puede asentarse en áreas bajas. Cuando tenga motivos para sospechar que existe una fuga de gas propano, manténgase alejado de todas las áreas bajas.
- Póngase en contacto con su proveedor de gas combustible y su departamento de bomberos. No vuelva a entrar al edificio o al área.
- Permanezca fuera del edificio y alejado del área hasta que los bomberos y su proveedor de gas combustible la declaren segura.
- POR ÚLTIMO, deje que el experto en servicio de artefactos de gas combustible y los bomberos realicen una inspección en busca de gas. Solicite que ventilen el edificio y el área antes de volver a entrar. Técnicos de mantenimiento adecuadamente capacitados deben reparar la fuga, controlar que no haya otras fugas, y volver a encender el calefactor.

El olor se disipa; no se detecta olor

- Algunas personas no tienen un buen olfato. Algunas personas no pueden percibir el olor del químico artificial agregado al gas propano o natural. Debe determinar si es capaz de sentir el aromatizante que se agrega a estos gases combustibles.
- Aprenda a reconocer el olor del gas propano y del gas natural. Los vendedores locales de gas propano y su proveedor local de gas natural (empresa de servicio público) estarán más que contentos de proporcionarle un folleto del tipo "raspe y huele". Úselo para familiarizarse con el olor del gas combustible.
- Fumar puede disminuir su capacidad olfativa. Estar en contacto con emanaciones de olor durante un tiempo determinado también podría afectar su sensibilidad a ese olor en particular.
- El aromatizante del gas propano y el gas natural es incoloro y la intensidad de su olor puede disiparse en algunas circunstancias.
- Si hay una fuga subterránea, el paso del gas a través del suelo puede filtrar el aromatizante.
- La intensidad del olor del gas propano puede diferir en intensidad en diferentes niveles. Dado que el gas propano es más pesado que el aire, puede haber más olor en niveles más bajos.
- Siempre tome en serio la más mínima presencia de olor a gas. Si aún detecta algún tipo de olor a gas, no importa lo poco que sea, trátelo como si fuera una fuga grave. Actúe de inmediato, como se explicó anteriormente.

¡Atención! Puntos críticos que debe recordar.

- Si no cuenta con capacitación adecuada para la reparación y el servicio de calefactores que funcionen con gas propano y natural, no intente encender el calefactor, realizar tareas de mantenimiento o reparación ni aplicar ajustes al sistema de combustible del calefactor de gas propano o natural.
- Aunque no cuente con capacitación para el mantenimiento y la reparación de calefactores radiantes, SIEMPRE debe reconocer el olor del gas propano y el gas natural.
- Una prueba periódica de detección activa alrededor del calefactor o en las juntas de este (es decir, la manguera, las conexiones, etc.) es una buena práctica de seguridad en todas las condiciones. Si huele aunque sea una cantidad muy pequeña de gas, LLAME INMEDIATAMENTE A SU PROVEEDOR DE GAS COMBUSTIBLE. ¡NO DEJE PASAR TIEMPO!

1. No intente instalar, reparar ni arreglar este calefactor o la línea de suministro de gas a menos que se capacite de manera continua con expertos y tenga conocimientos sobre calefactores a gas.

REQUISITOS PARA REALIZAR SERVICIO Y LA INSTALACIÓN:

- a. Para ser un encargado calificado de servicio de calefactores de gas, debe contar con la capacitación pertinente y también tener suficiente experiencia en la resolución de problemas, el reemplazo de piezas defectuosas y la prueba de estos calefactores, a fin de mantener estos artefactos en condiciones de funcionamiento normales y seguras. Debe familiarizarse por completo con cada modelo de calefactor leyendo y haciendo cumplir el contenido de, entre otros, las instrucciones de seguridad, las etiquetas, el manual del usuario que se proveen con cada unidad.
- b. Para ser un encargado calificado de instalaciones de gas, debe tener suficiente capacitación y experiencia en el manejo de todos los aspectos de la instalación, reparación y modificación de líneas de gas, incluidas la selección e instalación del equipo apropiado, y la selección del tamaño adecuado de tubería que se usará. Esto debe realizarse conforme a los códigos locales, estatales y nacionales, además de los requisitos del fabricante.
- c. En el estado de Massachusetts, la instalación de este producto debe estar a cargo de un instalador de gas autorizado en dicho estado.

ADVERTENCIA **INSTRUCCIONES** **DE PUESTA A TIERRA**

Este calefactor viene con un enchufe de 3 clavijas (de puesta a tierra) para protegerlo contra el riesgo de descarga eléctrica. Debe enchufarse en un toma corriente para 3 clavijas adecuadamente puesto a tierra. El no utilizar un tomacorriente debidamente puesto a tierra puede tener como consecuencia una descarga eléctrica o la muerte.

2. Todas las instalaciones o aplicaciones de calefactores de L.B. White Co., Inc. deben cumplir con todos los requisitos de los códigos locales, estatales y nacionales sobre gas PL y natural, electricidad y seguridad. Para determinar estos requisitos, podrá recurrir a un proveedor local de gas, un electricista autorizado local, el departamento de bomberos local y los organismos del gobierno. En ausencia de códigos locales, cumpla con los siguientes:

- a. Instalaciones en Estados Unidos:
- NFPA 102; estándar para fijación de ensamblados, carpas y estructuras de membrana.
 - ANSI/NFPA 58 última edición; estándar para el almacenamiento y la manipulación de gases licuados de petróleo o
 - ANSI Z223.1/NFPA 54, Código nacional de gas combustible -- ANSI/NFPA 70, Código Eléctrico Nacional.
- b. Instalaciones en Canadá:
- Códigos de instalación CAN1-B149.1 o CAN1-B149.2
 - CSA C22.1, Parte 1, Código Eléctrico de Canadá.
 - CSA C22.2 N.º 3, Características eléctricas de los equipos de combustión.

3. La empresa no puede prever todos los usos que se les pueden dar a nuestros calefactores. Otros estándares rigen el uso de gases combustibles y productos de calefacción en aplicaciones específicas. Su autoridad local puede asesorarlo respecto de estos. Consulte a la autoridad local contra incendios si tiene preguntas sobre las aplicaciones.

4. Los calefactores de aire forzado no deben orientarse hacia contenedores de gas propano dentro de un radio de 20 pies/6,10 metros.
5. No lave el calefactor. Use solamente aire comprimido, un cepillo suave o un paño seco para limpiar el interior del calefactor y sus componentes.
6. Por motivos de seguridad, este calefactor está equipado con un interruptor de límite superior de restablecimiento manual, y un interruptor de comprobación de aire redundante. Nunca haga funcionar el calefactor con dispositivos de seguridad desactivados. No haga funcionar el calefactor a menos que todas estas características estén en pleno funcionamiento.
7. No dirija el calentador hacia ningún recipiente de suministro de gas propano o manguera de gas dentro de 20 pies (6 m) de la descarga de aire caliente del calentador.
8. No bloquee las entradas de aire ni las salidas de descarga del calentador. Hacerlo puede causar una combustión inadecuada o daños a los componentes del calentador, lo que puede ocasionar daños a la propiedad.
9. Debe revisarse visualmente el conjunto de la manguera todos los días después de la reubicación del calefactor y cuando esté en uso. Si hay indicios evidentes de abrasión o desgaste excesivos, o si la manguera está cortada, esta debe reemplazarse antes de hacer funcionar el calefactor. Durante el uso y el almacenamiento, el conjunto de la manguera debe protegerse contra la exposición a materiales de construcción y el contacto con superficies calientes. El conjunto de repuesto de la manguera debe ser el que especifique el fabricante. Vea la lista de piezas.
10. Controle que no haya fugas de gas y que el funcionamiento sea adecuado tras la instalación del calefactor, al reubicarlo y luego del servicio. Consulte las instrucciones para la verificación de fugas en la sección sobre instalación en este manual.
11. Este calefactor debe ser inspeccionado por una persona calificada en mantenimiento, para determinar que su funcionamiento sea correcto antes de cada uso y por lo menos una vez al año.
12. Siempre corte el suministro de gas del calefactor si no se usa para la calefacción del lugar de trabajo.
13. Si se interrumpe el flujo de gas y se apaga la llama, no vuelva a encender el calefactor hasta estar seguro de que todo el gas que se pudo haber acumulado se haya ido. En cualquier caso, espere por lo menos 5 minutos para volver a encender el calefactor.
14. Consulte las tablas en la página 11 para conocer el tamaño mínimo de cilindro de gas propano que se utilizará por calentadores. Se pueden requerir múltiples cilindros colectores para asegurar el suministro continuo de gas.
15. Cuando se guarde el calefactor en interiores, se debe desacoplar la conexión entre el contenedor de suministro de gas propano y el calefactor. También se deben retirar los cilindros del calefactor y se deben almacenar, según corresponda, conforme al estándar sobre almacenamiento y manipulación de gases licuados de petróleo, ANSI/NFPA 58 o CSA B149.1, del Código de instalación de gas natural y propano.
16. El calefactor debe estar ubicado al menos a 6 pies (1,83 m) en los Estados Unidos; o 10 pies (3 m) en Canadá de cualquier recipiente de gas propano.
17. Los contenedores de suministro de gas propano tienen roscas hacia la izquierda. Use la rueda manual suministrada con el regulador para acoplar el conector POL del regulador a la válvula de suministro de gas del cilindro.
18. Use un compuesto para uniones de tuberías que esté aprobado para el uso con gas propano.
19. Para uso en interiores o al aire libre. Se proporcionará una ventilación adecuada de acuerdo con OSHA 29 CFR 1926.154, Requisitos de seguridad para dispositivos y equipos de calefacción portátiles y temporales, ANSI A10.10, Código nacional de gas combustible, ANSI Z223.1 / NFPA54, Código de gas licuado de petróleo, NFPA 58 o el Código de instalación de gas natural y propano, CAN B149.1, según corresponda.

Instrucciones generales de instalación



ADVERTENCIA

Peligro de quemaduras

Puede causar daños materiales, lesiones graves o la muerte.

1. A fin de evitar la acumulación peligrosa de gas combustible, corte el suministro de gas en la válvula de servicio del artefacto antes de comenzar la instalación y lleve a cabo una prueba de fugas de gas después de realizar la instalación.
2. No fuerce la perilla de control de gas. Use solamente la mano para girar esta perilla. Nunca use herramientas. Si la perilla no funciona manualmente, el control debe ser reemplazado por un técnico de servicio calificado. El uso de fuerza o un intento de reparación puede provocar un incendio o una explosión.

1. Lea todas las precauciones de seguridad y siga las recomendaciones de L.B. White Co., LLC cuando instale este calefactor. Si durante la instalación o la reubicación del calefactor sospecha que una pieza tiene daños o defectos, llame a un taller de mantenimiento calificado para que la repare o reemplace.
2. El equipo de calefacción debe estar correctamente dispuesto sobre una superficie plana, estable y horizontal antes de usarlo. Compruebe que el calefactor esté nivelado. (Use un nivel y haga un control en sentido longitudinal y transversal). Respete todas las distancias seguras mínimas del calefactor a los materiales combustibles más cercanos. Las distancias seguras se indican en la placa de datos del calefactor y en la página 4 de este manual.
3. Requisitos de instalación de la unidad de gas PL

- Todos los contenedores de gas PL se deben ubicar al menos a 5 pies/1,52 metros de la estructura más cercana de la pared de la carpa.
- Compruebe que todos los contenedores de gas PL estén asegurados y protegidos de la acción de la gente, del tráfico de vehículos y del contacto.
- Los contenedores de gas PL se deben ubicar en una superficie plana, nivelada y estable.
- Los cilindros de gas PL (también citados como cilindros o tanques de 100 libras/45 kg) deben estar asegurados contra caídas.

Contacte a sus autoridades locales, los vendedores de gas PL o los jefes del departamento de bomberos para obtener información detallada de la instalación en su área.

4. Este calefactor se puede instalar en interiores o en exteriores y está aprobado para usarse con o sin canalización. Para instalaciones en exteriores, se necesitan accesorios adicionales a fin de proporcionar correctamente aire calentado al interior. Estos accesorios son los siguientes:

Solo se usan los accesorios de conductos y distribución de aire suministrados y especificados por el fabricante del calefactor. **NO UTILICE NINGÚN OTRO TUBO, TUBO, TUBOS FABRICADOS DE CAMPO, LONAS, TUBO DE ESTUFA, ni ningún otro medio para hacer la conexión entre el calentador y el interior de la tienda.**

Unidad difusora:

Premier 40: 500-132540

Premier 80: 500-132902

Premier 170 500-26351

Este accesorio proporciona el espacio libre necesario para los materiales combustibles; se fija a la salida del ventilador del calefactor y distribuye el aire dentro de la carpa. Es posible que en los códigos locales se exija una separación de 3,04 m entre la carpa y el calefactor. En este caso, no se debe usar el difusor montado en una unidad.

Conjunto de conductos,

Premier 40: 8 pulgadas (20,3 cm) x 12 pies (3,65 metros), 500-132544

Premier 80/170: 12 pulgadas (20,3 cm) x 12 pies (3,65 metros), 500-26346, gris 500-26347, blanco

Este accesorio permite ubicar el calefactor a unos 10 pies/3,04 metros de la carpa como algunos códigos locales requieren.

Use solo un conducto por calentador con o sin difusor de extremo.

Difusor de extremo:

Premier 40: 500-132541

Premier 80/170: 500-26350

Este accesorio se utiliza junto con el kit de conductos. Se coloca bajo el borde de la carpa y distribuye el aire en su interior.

5. Al utilizar el difusor de la unidad o el aire del difusor de extremo prolongue las protecciones laterales; asegúrese de que el material de la carpa esté colocado dentro del canal en U de los difusores y anclado de forma segura. Vea las páginas 15 y 16 para más detalles.
6. El regulador de presión de gas del calefactor debe resguardarse contra condiciones climáticas adversas (lluvia, hielo, nieve) y materiales de construcción (asfalto, hormigón, yeso, etc.) que podrían afectar el funcionamiento seguro y podrían producir daños materiales o lesiones.
7. Asegúrese de que todos los accesorios que se envían dentro del calentador se hayan quitado del interior del calentador y se hayan instalado.
8. Compruebe todas las conexiones para detectar fugas de gas utilizando detectores de fugas de gas aprobados. La prueba de fuga de gas se realiza de la siguiente manera:


ADVERTENCIA
Peligro de incendio y explosión

- No use llamas (fósforos, sopletes, velas, etc.) para comprobar si hay fugas de gas.
- Use únicamente detectores de fugas de gas aprobados.
- La inobservancia de esta advertencia puede derivar en situaciones de incendios o explosiones.
- Los incendios o las explosiones pueden ocasionar daños materiales, lesiones o la muerte.

– Compruebe las conexiones de tuberías y mangueras, los conectores y los adaptadores del control de gas con detectores de fugas de gas aprobados.

– Si se detecta una fuga de gas, verifique que los componentes estén limpios y que el compuesto de tubería se haya aplicado correctamente antes de continuar con el ajuste.

– Ajuste las conexiones de gas según sea necesario para detener la fuga.

– Luego de verificar todas las conexiones y detener las fugas, encienda el quemador principal.

– Manténgase lejos mientras se enciende el quemador principal para evitar lesiones causadas por fugas escondidas que podrían provocar el retroceso de la llama.

– Con el quemador principal funcionando, verifique las conexiones de tuberías y mangueras, los conectores y las juntas, además de la entrada de la válvula de control de gas y las conexiones de salida con detectores de fugas de gas aprobados.

– Si se detecta una fuga de gas, verifique que las roscas de los componentes estén limpias y que el compuesto de tubería se haya aplicado correctamente antes de continuar con el ajuste.

– Ajuste las conexiones de gas según sea necesario para detener la fuga.

– Si fuera necesario, reemplace las piezas o componentes pertinentes si no puede detenerse la fuga.

– Asegúrese de que se hayan identificado y reparado todas las fugas antes de proceder.

9. Una vez instalado el calefactor, un técnico de mantenimiento calificado debe verificar que la presión de gas de funcionamiento sea adecuada.

10. Encienda el calefactor según las instrucciones que se encuentran en este o en el manual del usuario.

11. El calefactor debe tener instalado el regulador de gas apropiado para la aplicación. Use únicamente el regulador de L.B. White originalmente suministrado con el calefactor. En este regulador se incluye un conector POL flexible que incorpora una válvula de flujo excedente. Una válvula de flujo excedente es un dispositivo de seguridad que proporciona protección contra descargas del contenedor de suministro de gas propano si el regulador se daña. Si el conector POL flexible se reemplaza alguna vez, debe usarse un conector POL L.B. White flexible para el reemplazo. La inobservancia de esta indicación puede derivar en situaciones de incendios, explosiones, pérdidas de propiedades, lastimaduras o muerte.

12. Se debe conectar un regulador al suministro de gas de modo que la presión en la entrada a la válvula de control de gas esté regulada dentro del rango especificado en la placa de datos en todo momento. Contacte a su proveedor de gas o a L.B. White Co., LLC si tiene alguna pregunta.

13. Este calefactor está configurado para usarse únicamente con recuperación de vapor de gas propano. No use este calefactor en un sistema o aplicación de recuperación de líquido de gas propano. En caso de duda, comuníquese con L.B. White Co., LLC.

14. El calefactor debe instalarse de modo que no interrumpa ni obstruya las salidas normales, las salidas de emergencia, las puertas ni las pasarelas.

15. Se deben usar rejas, vallas o materiales adecuados a fin de mantener el equipo de calefacción alejado de las personas que usen y visiten la estructura.

16. El calefactor debe ubicarse de modo que su funcionamiento no se vea afectado por el drenaje de lluvia, hielo o nieve de la estructura. Si la unidad se monta en exteriores, debe ir encima de cualquier acumulación de agua o agua estancada. Si la unidad se ubica sobre el suelo, se recomienda usar una zanja circundante a fin de drenar la lluvia, el hielo o la nieve lejos de la unidad.

17. Cuando se instale el calefactor en exteriores, se deben eliminar del suelo y el terreno circundante la vegetación y otros materiales inflamables.

18. Una falla en el termostato puede hacer que la calefacción resulte insuficiente. Se debe probar el termostato para comprobar que encienda y apague el calefactor con una diferencia de temperatura de $\pm 3^\circ\text{F}$ ($\pm 1,5^\circ\text{C}$).

19. Tómese el tiempo necesario para aprender a hacer funcionar y mantener el calefactor usando el manual del usuario. Asegúrese de conocer la manera de cerrar el suministro de gas del edificio y también del calefactor. Comuníquese con su proveedor de gas combustible si tiene alguna duda.

20. Cualquier defecto que encuentre al realizar cualquiera de los procedimientos de mantenimiento debe corregirse y las piezas defectuosas deben reemplazarse de inmediato. El calefactor debe ser evaluado por un técnico de servicio calificado antes de volver a ponerlo en funcionamiento.

Tamaño del suministro de gas propano

La vaporización del propano se ve afectada por numerosos factores: la superficie del contenedor, el nivel líquido del propano, la temperatura alrededor del contenedor y la humedad relativa. Todos estos factores son específicos para el lugar de trabajo. Por lo tanto, se requiere determinado nivel de experiencia y criterio para seleccionar el suministro de propano adecuado. Si bien la experiencia es la mejor guía, se pueden aplicar las recomendaciones siguientes como punto de partida. La tabla se basa en experiencias en regiones climáticas septentrionales, en las cuales se imponen condiciones de frío y humedad elevada en el invierno. Si se imponen condiciones más o menos favorables en un lugar de trabajo específico, se pueden realizar ajustes tomando como base la experiencia.

Suministro de gas propano recomendado: cilindros necesarios por calentador							
Temperatura promedio en °F / °C		50/10	40/4,4	30/-1,1	20/-6,7	10/-12,2	0/-17,8
20 lb. / 9 kg	TS040	1	1	1	2*	2*	2*
	CS/TS080	2*	2*	2*	2*	3*	3*
40 lb. / 18 kg	TS040	1	1	1	1	1	2*
	CS/TS080	1	1	1	2*	2*	2*
100 lb. / 45 kg	TS040	1	1	1	1	1	1
	CS/TS080	1	1	1	1	1	1
	CS/TS170	2*	2*	2*	2*	3*	3*

Los requisitos de los cilindros por calentador se basan en la salida completa de Btu al 70% de uso de combustible.

* Los cilindros se deben juntar para permitir la extracción simultánea de vapor de todos los cilindros.

Horas de funcionamiento							
Temperatura promedio en °F / °C		50/10	40/4,4	30/-1,1	20/-6,7	10/-12,2	0/-17,8
20 lb. / 9 kg	TS040	8,0	6,0	4,0	13,0**	10,0**	8,0**
	CS/TS080	3,0**	2,5**	2,0**	2,0**	3,0***	2,5***
40 lb. / 18 kg	TS040	18,5	16,0	16,0	12,0	10,0	6,5
	CS/TS080	9,0	8,5	2,0	5,0**	3,0**	2,5**
100 lb. / 45 kg	TS040	50,0	50,0	50,0	45,0	37,0	32,0
	CS/TS080	21,0	19,0	18,0	16,0	13,0	8,0
	CS/TS170	9,0**	8,0**	7,0**	6,0**	8,0***	7,0***

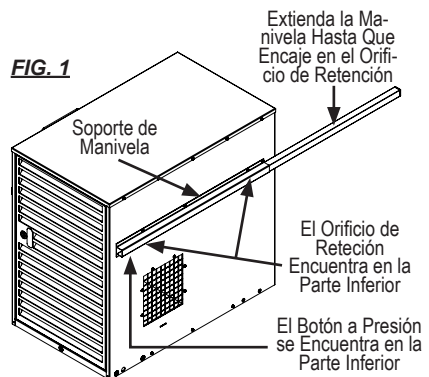
** Dos cilindros colectores juntos

*** Tres cilindros colectores juntos

MANIJA DESLIZABLE (PREMIER 170)

El Premier 170 está equipado con manijas deslizables para ofrecer movilidad práctica al estilo "carretilla".

- Presione el botón a presión de la parte inferior del soporte de almacenamiento de la manija deslizable.
- Extienda por completo ambas manijas hasta que el botón de presión se bloquee en su lugar.
- Para el almacenamiento, pulse el botón de presión y empuje las manijas hasta la posición de retracción total.

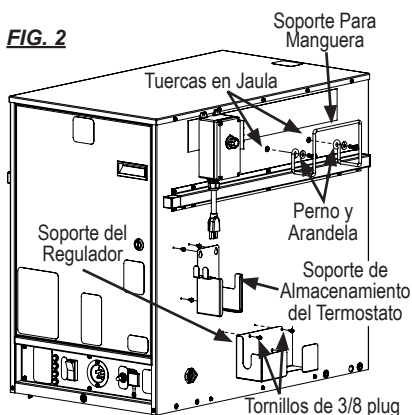


Soporte de almacenamiento del termostato, soporte de manguera, soporte de almacenamiento del regulador

1. Soporte de almacenamiento del termostato

- Enrosque los cuatro tornillos de cabeza hexagonal de 3/8 pulg. En los cuatro agujeros en la parte posterior de la caja del calentador. **NO APRIETE** los tornillos en este momento. Ver Fig. 2, se muestra el Premier 170.
- Deslice las cuatro bocallaves de las bridas de montaje del soporte del termostato sobre los cuatro tornillos. empuje el soporte hacia abajo y manténgalo en su lugar. Apriete los tornillos de forma segura con un destornillador de 1/4 pulg. A través de los orificios de acceso del soporte. Ver Fig. 2. Se muestra el Premier 170.

FIG. 2



- Guarde el termostato dentro del soporte cuando no lo utilice.

2. Suspensión de manguera

- Alinee el gancho de la manguera de alambre con las tuercas enjauladas en la parte posterior del calentador.
- Monte la percha con los pernos de 1 / 4-20 x 3/4 pulg. Y las arandelas planas de 1/4 pulg. Apriete bien. Ver Fig. 2, se muestra el Premier 170.

3. Soporte de almacenamiento del regulador (Premier 170)

- Alinee el soporte de almacenamiento del regulador con los dos orificios de 1/8 pulg. De diámetro en la parte posterior de la caja del **calentador**.
- Monte el soporte de almacenamiento en la caja con los dos tornillos hexagonales de 3/8 pulg. Apriete bien.

Termostato

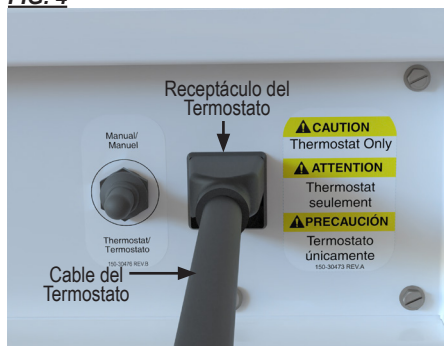
Si no se necesita o requiere el termostato, seleccione el ajuste manual en el interruptor. Vea la Fig. 3.

FIG. 3



Si se requiere un termostato, retire la tapa de salida del termostato y enchufe el cable del termostato en el receptáculo de salida del termostato. Use **SOLO L.B. White** termostato cuando se conecta al receptáculo de salida del termostato. Seleccione la configuración del termostato en el interruptor. Ver Fig.4.

FIG. 4



* **SIEMPRE** cubra la salida del termostato cuando no esté en uso.

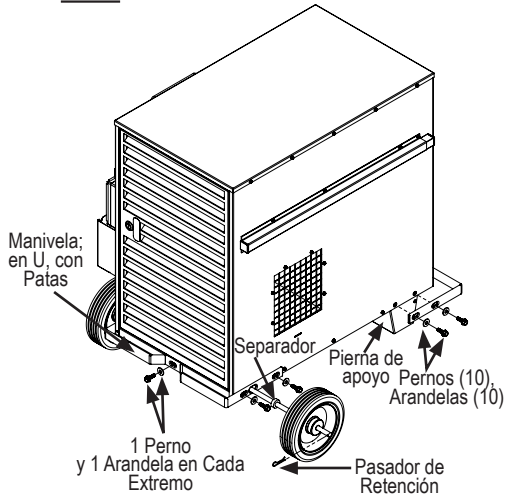
* **NO** enchufe un aparato en la salida del termostato

* **NO** conecte el cable del termostato a una toma de corriente

Rueda, pata y manija de elevación (Premier 170)

Vea la Fig. 5 para el ensamblaje de componentes. Asegúrese de que todo el hardware esté bien apretado.

FIG. 5



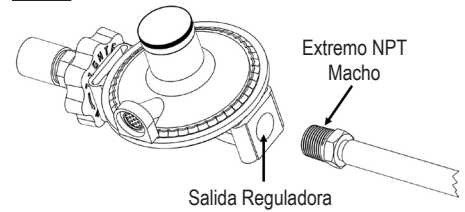
Conexión del regulador y la manguera de gas

- Use únicamente el regulador de L.B. White suministrado con el calefactor.
- Utilice un compuesto para juntas de tuberías aprobado para uso con gas propano en todas las conexiones roscadas.
- El calefactor debe regularse en todo momento para funcionar de manera adecuada.
- Realice inspecciones en busca de fugas en todas las conexiones del regulador después de conectarlo al suministro de gas.

Calentadores de gas propano Premier (TS040 / 080/170)

1. Enrosque el extremo del borde macho de 3/8 NPT de la manguera a la salida del regulador, apriete firmemente. Ver la figura 6.

FIG. 6



2. Retire la tapa de plástico del accesorio POL. (No deseche la tapa).

Calentadores Premier de combustible dual (CS080 / 170)

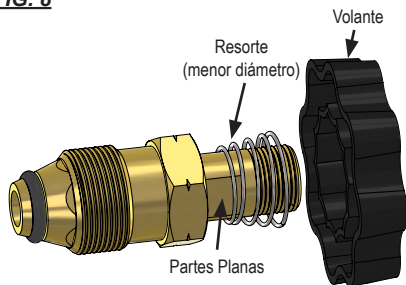
- El regulador provisto con los calentadores de combustible duales es adecuado tanto para propano como para gas natural.
- Use un compuesto para juntas de tuberías que sea resistente al propano y al gas natural en todas las conexiones roscadas.

Cuando se usa gas propano como combustible:

1. Retire la tapa de plástico del accesorio POL. (No deseche la tapa).

2. Deslice el resorte sobre el vástago POL. El extremo de menor diámetro del resorte está hacia la tuerca de latón del POL. Vea la Fig. 8. Deslice el lado abierto del volante sobre el vástago POL. Enrosque el conjunto en la entrada de 1/4 plug del en el regulador. Apriete firmemente con una llave en las partes planas del vástago POL.

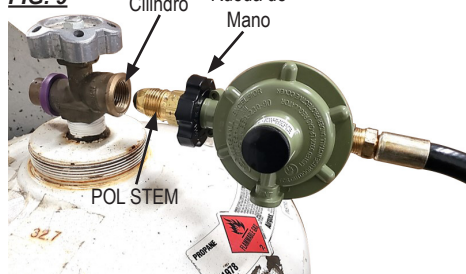
FIG. 8



Conexión del regulador al suministro de gas

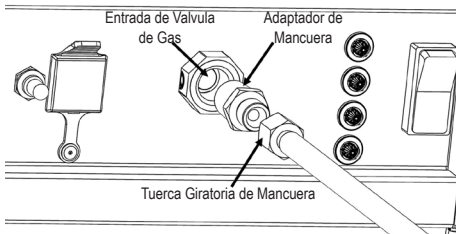
1. Inserte el vástago POL en la válvula del cilindro. Empuje la rueda manual con resorte hacia arriba contra la tuerca roscada. Gire la rueda manual en sentido antihorario para enroscar la tuerca POL en la válvula del cilindro de propano. Apriete firmemente. Ver FIG 9.

FIG. 9



2. Instale el adaptador de manguera NPT de 1/2" a la entrada de la válvula de gas. Vea la Fig. 10 (se muestra Premier 40)

FIG. 10



3. Fije la tuerca giratoria de la manguera al adaptador de la manguera. Ver. Fig.10.

4. Lentamente, abra la válvula del cilindro. Esto evitará el bloqueo de la válvula de flujo excesivo incorporada dentro del vástago del conector POL. Revise si hay fugas; corrija si es necesario.

5. Cuando almacene o transporte el calefactor, use la tapa protectora para garantizar que el conector POL esté protegido contra daños y la entrada de suciedad y agua.

Cuando se usa gas natural como combustible:

- El regulador suministrado con el calentador de combustible dual se requiere para usar con gas natural si la presión de suministro de gas natural al calentador es superior a la presión de entrada máxima de 13,5 pulgadas de columna de agua / 3,36 kPa, como se indica en la placa de datos del calentador y en Este manual del propietario.
- El regulador requiere una presión de suministro de gas natural que proporcionará la presión de entrada a la válvula de gas del calentador como se indica en la placa de datos del calentador y en este manual del propietario.
- Si el conjunto de conexión y manguera POL están conectados al regulador, retírelos del regulador.
- Conecte la salida del regulador directamente a la entrada del calentador utilizando un niple de tubo corto (no incluido).
- Conecte el regulador a la línea de suministro de gas natural utilizando las conexiones adecuadas.

Instrucciones de puesta en marcha

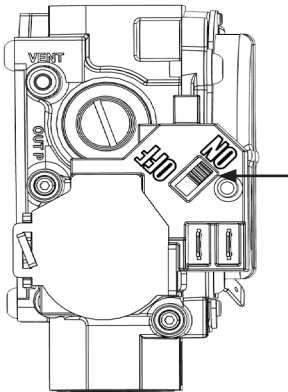
Para la puesta en marcha inicial después de la instalación del calefactor, siga los pasos del 1 al 4.

1. Este calefactor está cableado con una conexión a tierra para su protección contra el peligro de una descarga eléctrica. El calefactor debe conectarse directamente a una fuente de alimentación eléctrica debidamente cableada y puesta a tierra.

A. Funcionamiento del modo calor

a. Abra todas las válvulas de suministro de combustible manuales. Verifique si hay fugas de gas con un detector de fugas aprobado. La válvula de control de gas del calefactor cuenta con una característica de cierre manual incorporada en el conjunto de la válvula. Asegúrese de que el indicador de la válvula se sitúe en la posición de ACTIVACIÓN (ON). Vea la Fig. 11.

FIG. 11



B. Presione el interruptor selector hasta la posición de calor. Ver. Fig. 12. 🔥

FIG. 12



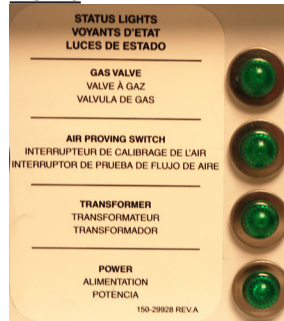
c. Ajuste el termostato por encima de la temperatura ambiente.

- El motor del ventilador se encenderá.
- El encendedor generará chispas.
- La unidad se encenderá.

d. El termostato enciende y apaga el calefactor en función del punto de ajuste de la temperatura.

(Es normal que quede aire atrapado en la manguera de gas en instalaciones nuevas. El calefactor puede intentar más de una prueba de ignición antes de que el aire sea purgado de la línea y se produzca la ignición.). Cuando el interruptor se encuentre en la posición de calor, se activarán en secuencia cuatro luces de estado (vea la Fig. 13) a medida que el control de encendido verifique circuitos específicos. Si el calefactor no se enciende y la luz de estado se apaga, consulte la etiqueta de resolución de problemas en el exterior de la caja del calefactor o en la sección de resolución de problemas del manual del propietario. Vea la Fig. 13.

FIG. 13



B. Funcionamiento del modo de ventilación

- Mueva el interruptor selector hasta la posición de apagado, **O**, y luego hasta la de ventilación.
- Solo funcionará el motor del ventilador. El encendedor no generará chispas y no se producirá el encendido.

La característica de ventilación se emplea cuando se necesita circulación de aire. El calefactor no realiza el ciclo en el ajuste del calefactor.

C. Apagado (O)

1. Posicione el interruptor en el punto intermedio, **O**.
2. **No exceda el valor de entrada que se indica en la placa de datos ni la presión del orificio del quemador recomendada por el fabricante para los orificios empleados. Compruebe que el suministro de aire primario del quemador principal esté abierto y libre de polvo, suciedad y residuos para una combustión completa y adecuada.**

Instrucciones de apagado

Para el apagado normal, configure el termostato en un valor inferior al de temperatura ambiente. Al realizar tareas de servicio o mantenimiento, siga los pasos 1 a 5.

1. Cierre la válvula de suministro de combustible.
2. Permita que el calefactor quemé el gas combustible que quede en la línea de suministro.
3. Fije el termostato en "Apagado" o "Sin calor".
4. Posicione el interruptor selector en O (apagado).
5. Desconecte el calefactor del suministro eléctrico y de gas.

Válvula selectora de gas Modelos de combustible dual (DF)

Este calentador se envía de fábrica con la válvula selectora de combustible en la posición de gas propano (LP). Asegúrese de que el mango de la válvula selectora de combustible esté colocado correctamente para el combustible que se está utilizando.

1. Esta característica permite que el calentador funcione con propano o gas natural sin cambiar el orificio del quemador. La válvula selectora de gas se encuentra entre la válvula de control de gas y el quemador. **ESTA NO ES UNA VÁLVULA DE CIERRE DE GAS MANUAL.**
2. Consulte las Figs. 14 y 15 para el mango de la válvula en la posición adecuada para el gas específico que se utiliza (se muestra Premier 170 DF. Las mismas posiciones de mango para Premier 80 DF).
3. El mango debe estar completamente ajustado a 90 grados al flujo de gas (gas propano) o paralelo al flujo de gas (gas natural) para una operación adecuada. Consulte también la calcomanía ubicada en la base del calentador, adyacente a la válvula selectora.

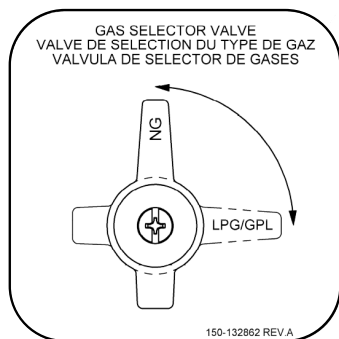


FIG. 14
Posición de gas propano, se muestra Premier 170

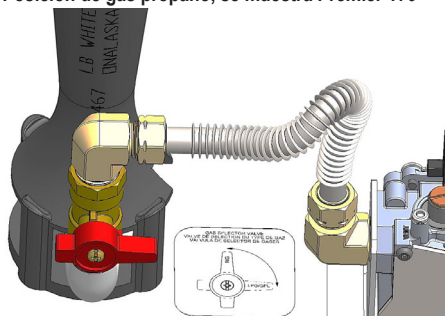
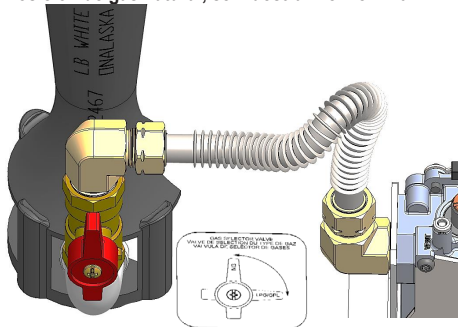


FIG. 15
Posición de gas natural, se muestra Premier 170



NO opere el calentador con la manija de la válvula selectora colocada entre ambas posiciones, de lo contrario se producirá una operación incorrecta.

Instrucciones de limpieza



ADVERTENCIA

Peligro de incendio, quemaduras y explosión

- Este calefactor contiene componentes eléctricos y mecánicos en los sistemas de administración de gas, seguridad y flujo de aire.
- Estos componentes pueden dejar de funcionar o experimentar fallas debido a factores como el polvo, la suciedad, el desgaste y el envejecimiento
- La limpieza e inspección periódicas, así como un mantenimiento adecuado, son fundamentales para prevenir lesiones graves o daños materiales.

1. Antes de la limpieza, apague todas las válvulas de suministro de gas y desconecte el suministro eléctrico.
2. Se debe eliminar el polvo o la suciedad del calefactor periódicamente:
 - a. Antes de cada uso, realice una limpieza general del calefactor mediante la aplicación de aire comprimido, un cepillo suave o un paño seco a la caja y los componentes internos. Al hacerlo, quite el polvo de la caja del motor para impedir que se recaliente.
 - b. Realice una limpieza profunda del calefactor por lo menos una vez al año. Cuando la haga, retire el conjunto del ventilador y el motor, y quite el polvo del conjunto de las aspas del ventilador con un cepillo o mediante soplado. Además, compruebe que no se acumule polvo en los puertos venturi de la entrada de aire del quemador ni en la pieza fundida.



ADVERTENCIA

No use una lavadora a presión, agua ni una solución de limpieza líquida en los controles de gas. El uso de una lavadora a presión, agua o una solución de limpieza líquida en los componentes de control puede causar lesiones graves o daños materiales por acción del agua o de los líquidos:

- En los componentes y los cables eléctricos, pueden causar descargas eléctricas o fallas en los equipos.
- En las válvulas de control de gas, pueden generar corrosión, que a su vez puede ocasionar fugas de gas y, debido a estas, incendios o explosiones.

Limpie todos los componentes del calefactor con aire a presión o un cepillo o paño seco.

Instrucciones de mantenimiento

ANTES DE CADA USO:

- Revise la superficie alrededor del calefactor para garantizar que esté despejada y que no haya en ella materiales inflamables, gasolina u otros líquidos y vapores inflamables.
- En la instalación, asegúrese de que haya suficiente aire de combustión y de que el flujo de aire de ventilación no esté obstruido.
- Solicite a su proveedor de gas que revise todas las conexiones de gas en busca de fugas o restricciones en las líneas de gas.
- Inspeccione la ventilación del regulador para asegurarse de que esté libre de obstrucciones. Los residuos, los insectos, los nidos de insectos, la nieve o el hielo depositados o acumulados en un regulador pueden obstruir las ventilaciones y generar presión excesiva en el calefactor.
- Revise todos los terminales y los componentes eléctricos relacionados con el cableado dentro del calefactor en busca de corrosión, desgaste o cortes en el aislamiento, desajustes en las conexiones, etc. Realice reparaciones o reemplazos según sea necesario.
- Verifique el conjunto de la manguera después de la instalación y la instalación del calefactor, y cuando este se encuentre en uso. Si hay indicios evidentes de abrasión o desgaste excesivos, o si la manguera está cortada, esta debe reemplazarse antes de hacer funcionar el calefactor nuevamente.
- Verifique la legibilidad de todas las indicaciones del calefactor (es decir, diagramas de cableado, advertencias, puesta en marcha, apagado, resolución de problemas, etc.) en el momento del mantenimiento. Asegúrese de que no estén cortadas, rasgadas ni dañadas de otro modo. Cualquier indicación dañada debe ser reemplazada inmediatamente poniéndose en contacto con L.B. White Co., LLC. La placa de datos, las instrucciones de arranque y apagado y las etiquetas de advertencia están disponibles como piezas de repuesto.

CADA AÑO:

- Limpie y revise el encendedor en busca de grietas. Reemplace si fuera necesario.
- Los reguladores pueden desgastarse y funcionar de manera incorrecta. Haga que su proveedor de gas revise la presión de salida de los reguladores para asegurarse de que está ajustada correctamente.
- Pruebe ambos interruptores de límite alto, si corresponde, para garantizar un funcionamiento correcto. Consulte las instrucciones de servicio en este manual del propietario.

Instrucciones de servicio**ADVERTENCIA**
Peligro de quemaduras

- Las superficies del calefactor permanecen calientes durante un tiempo luego de que este se apaga.
- Deje que el calefactor se enfríe antes de realizar tareas de servicio, mantenimiento o limpieza.
- Si no se cumple con esta advertencia, se pueden producir quemaduras.

**ADVERTENCIA**
Peligro de incendio y explosión

- No desarme ni intente reparar componentes del calefactor o del tren de gas, como las válvulas o las mangueras.
- Todas las piezas deben reemplazarse si se encuentran defectos en ellas.
- De lo contrario, se pueden producir incendios o explosiones que podrían ocasionar daños materiales, lesiones o la muerte.

1. Cierre la válvula de suministro de combustible del calefactor y desconecte el suministro eléctrico antes de realizar el mantenimiento, a menos que lo necesite para el procedimiento de servicio.
2. Limpie el orificio del calefactor con aire comprimido o un paño suave y seco. No use limas, taladros, raspadores u otros elementos para limpiar el orificio. Esto podría agrandar el orificio y causar problemas de combustión o encendido. Reemplace el orificio si no puede limpiarse adecuadamente.

3. El interruptor de límite superior se puede probar de la siguiente manera:

- Desconecte los cables del componente y puentéelos entre sí.
- Vuelva a conectar el suministro eléctrico y abra las válvulas de suministro de combustible.
- Si el calefactor se enciende, significa que existen desperfectos en el componente y debe reemplazarse.
- Si la pieza tiene fallas, no deje activo el puente ni haga funcionar el calefactor. Reemplace la pieza de inmediato.
- Un método alternativo para verificar componentes consiste en realizar una verificación de continuidad.

4. No se deben aplicar puentes al interruptor de presión de aire. De lo contrario, el control de encendido no permitirá el funcionamiento del calefactor. Verifique la continuidad del interruptor de presión de aire. Si el interruptor muestra desperfectos, reemplácelo.
5. Abra el panel frontal de la caja para acceder a los componentes interiores de los calefactores.
6. Cuando reemplace componentes, desconecte los cables eléctricos correspondientes.
7. Para volver a realizar el montaje, invierta el procedimiento de mantenimiento respectivo. Asegúrese de que las conexiones estén bien ajustadas y se inspeccionen en busca de fugas.
8. Después del servicio, encienda el calefactor para garantizar el correcto funcionamiento.

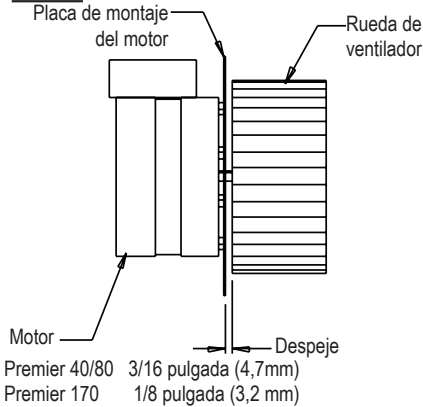
Conjunto del motor y el ventilador**Premier 40**

- Retire los 8 tornillos ubicados en la parte inferior de la base; 4 cada uno en ambos lados largos del calentador. Extienda los lados inferiores hacia afuera y levántelos para despejar los componentes internos.

Premier 80/170

- Abra el panel de acceso con persianas opuesto al extremo del quemador del calentador.
1. Desconecte los cables del motor.
 2. Retire los 4 tornillos que sujetan la placa de montaje del motor a la carcasa.

3. Extraiga el conjunto del motor y el ventilador de la carcasa.
4. Afloje los tornillos de fijación de la rueda del ventilador y tire de la rueda del ventilador del eje del motor.
5. Retire las cuatro tuercas que sujetan el motor a la placa de montaje.

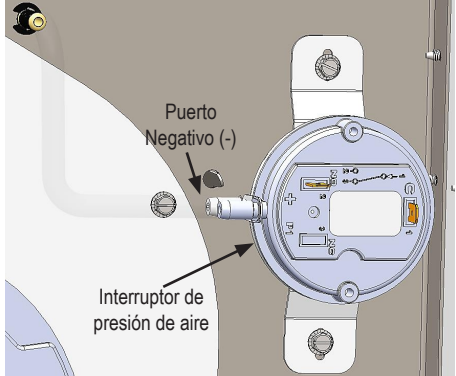
FIG. 16

Interruptor de presión de aire

El interruptor de presión de aire está ubicado en la carcasa de aire frío interna del calentador. Debe funcionar de manera adecuada para que sea posible el ciclo de encendido. Si los contactos del interruptor de presión de aire se cierran antes de que el control de encendido ponga en marcha el motor del ventilador, o no se cierran ante una demanda de calor después de que se pone en marcha el motor del ventilador, no se producirá el encendido. Vea la Fig. 17.

Para el servicio:

- Desconecte los 2 cables conectados al interruptor. Desenganche la línea de presión de aire conectada al puerto (NEG). Retire los 2 tornillos que sujetan el interruptor a la carcasa de aire frío.
- Vuelva a ensamblar invirtiendo los pasos anteriores.

FIG. 17

Conjunto de encendedor y sensor de llama

El encendedor tiene un diseño de detección local, lo que significa que también sirve para detectar la llama del quemador. Para la ubicación del encendedor / sensor de llama, vea la FIG. 18 para Premier 40 y la FIG. 19 para Premier 80/170.

1. Desconecte el cable de alto voltaje del conjunto del encendedor
 2. Retire los 2 tornillos que aseguran el conjunto del encendedor al quemador.
- Se deben limpiar el encendedor y el vástago de conexión a tierra para que el encendido sea correcto.
 - Use lana de metal o tela de lija.
 - Frótelas bien para eliminar la acumulación de polvo, la suciedad y el óxido.
 - Verifique la base de cerámica del encendedor en busca de grietas. -- Reemplace el encendedor si se encuentran grietas.

FIG. 18

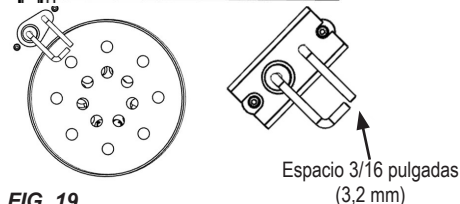
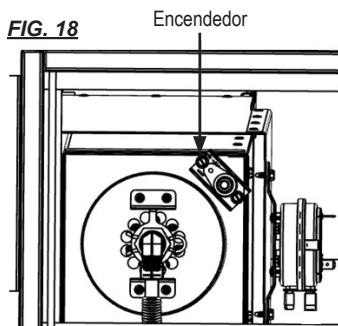
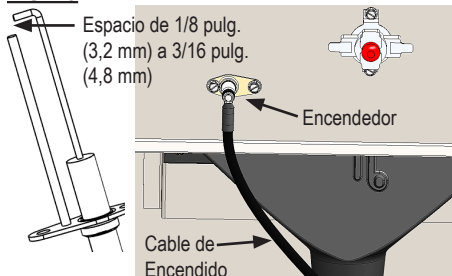


FIG. 19



Los interruptores de límite alto se pueden identificar fácilmente mediante un botón rojo de reinicio en el centro del interruptor. Vea la FIG. 20 y 21, se muestra Premier 170.

FIG. 20

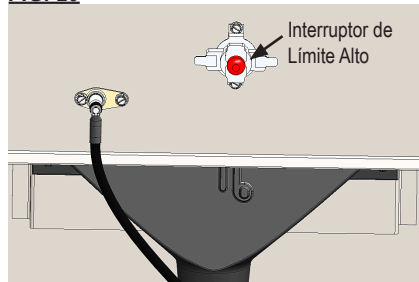
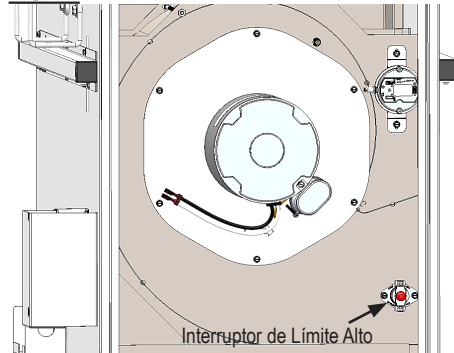


FIG. 21



Restablecimiento manual de los interruptores de límite superior



ADVERTENCIA

Peligro de incendio

- No haga funcionar el calefactor con el interruptor de límite superior desactivado.
- Hacer funcionar el calefactor con el interruptor de límite superior anulado o puenteado, podría derivar en un incendio y, en consecuencia, daños en el calefactor o daños materiales.

Premier 40 tiene un interruptor de límite alto; ubicado directamente debajo del quemador en la parte inferior de la cámara de calor.

Premier 80/170 tiene dos interruptores de límite, uno dentro del extremo de la puerta sólida en la cámara del calentador, el otro dentro del extremo de la puerta con rejilla montada en el panel lateral de la carcasa del ventilador.

Funcionamiento

Si el calefactor se recalienta, el interruptor de límite superior puede activarse, haciendo que se abra el circuito eléctrico de la válvula de control de gas. El recalentamiento generalmente se debe a restricciones en los conductos, bajo voltaje, bloqueo de la entrada de aire del calefactor o excesos de presión de gas.

Restablecimiento

Si el interruptor de límite superior se activa, retire la tapa roja y presione firmemente el botón de restablecimiento del centro del interruptor. Luego, apague el calefactor y vuelva a encenderlo. Determine la causa de la activación del límite superior.

Pruebas

Para garantizar el correcto funcionamiento de estos componentes de seguridad críticos, pruebe el interruptor anualmente, generalmente durante una limpieza profunda del calefactor.

1. Retire el interruptor de límite superior del calefactor.
2. Con unos alicates sostenga el interruptor por una de sus patas de montaje, aplique una llama pequeña solamente a la zona de detección situada en la parte posterior. Vea la Fig. 22. Actúe con precaución para no derretir la carcasa de plástico del interruptor durante esta prueba.
3. En un plazo de un minuto, debería escuchar un clic proveniente del interruptor. Esta señal indicará que los contactos se han abierto.
4. Deje que el interruptor se enfríe durante aproximadamente un minuto. Retire la tapa roja y presione firmemente el botón de restablecimiento del interruptor.
5. Compruebe la continuidad eléctrica en los terminales del interruptor para asegurarse de que se hayan cerrado los contactos. Instale la tapa roja; vuelva a instalarla en el calefactor y conecte los cables a los terminales.
3. Abra la puerta para acceder a los componentes.
4. Retire los cables marrón y verde que se encuentran en la parte superior de la válvula de gas.
5. Retire la tuerca de compresión de latón que asegura la línea de gas flexible de acero inoxidable a la salida de la válvula de gas.

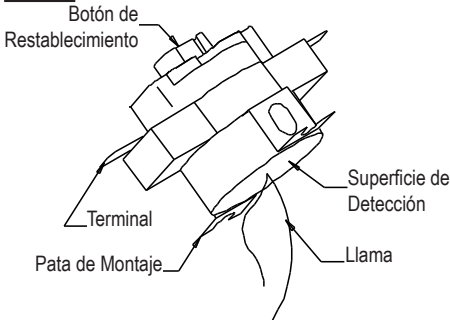
Premier 40

- Retire los 4 tornillos que aseguran el soporte de la válvula de gas a la base del calentador.

Premier 80/170

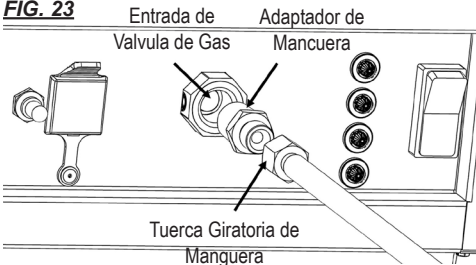
- Retire los 2 tornillos que aseguran el soporte de entrada de la válvula de gas.

6. Retire la válvula de gas del calentador.

FIG. 22

Válvula de control de gas

1. Desconecte el calefactor de su fuente de alimentación.
2. Retire la manguera de suministro de gas y el adaptador de manguera de la entrada de gas del calentador. Ver FIG. 23).

FIG. 23

Orificio del quemador

Premier 40

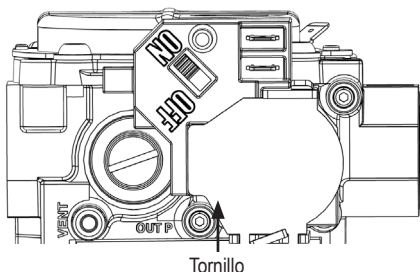
1. Retire la tuerca de compresión de latón del codo del soporte del orificio.
2. Retire la pinza de horquilla que asegura el soporte del orificio al soporte del quemador. Ver Fig.24.
3. Extraiga el conjunto del orificio.

FIG. 24

Premier 80/170

1. Retire la tuerca de compresión de latón que asegura la línea de gas flexible de acero inoxidable al codo del soporte del orificio.
2. Retire el perno debajo de la base que asegura el soporte del orificio y la función del quemador a la base. Ver Fig. 25, se muestra Premier 170 DF.

FIG. 25



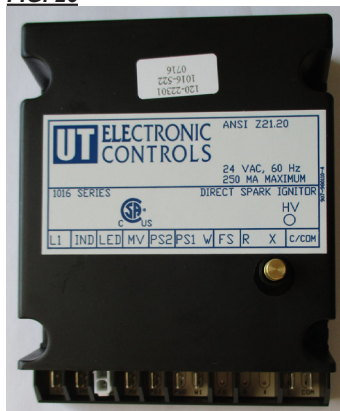
Control de encendido

El control envía y recibe voltajes para accionar los componentes o verificar su funcionamiento. Consulte la siguiente información y la Fig. 26 para comprender las designaciones de los terminales del control de encendido si realiza verificaciones de voltaje en el control.

- L1:** Voltaje de suministro de energía principal del control.
- IND:** Voltaje de suministro de energía principal del control al motor. **LED:** no se usa.
- MV:** 24 V de CA desde el control de encendido, pasando por el interruptor de límite superior, hasta la válvula de control de gas.
- PS2:** Retorno de 24 V de CA del interruptor de comprobación de aire al control de encendido.
- PS1:** 24 V de CA del control de encendido al interruptor de comprobación de aire.
- W:** 24 VAC desde el transformador hasta el control de encendido. (sin este voltaje del transformador, el control de encendido no funcionará).
- FS:** Sin terminal.
- R:** Sin terminal.
- X:** Sin terminal.
- C/COM:** Conexión a tierra para el transformador y el control de encendido.

También consulte "Secuencia de funcionamiento" en este manual según sea necesario para comprender el funcionamiento del control de encendido durante una demanda de calor.

FIG. 26

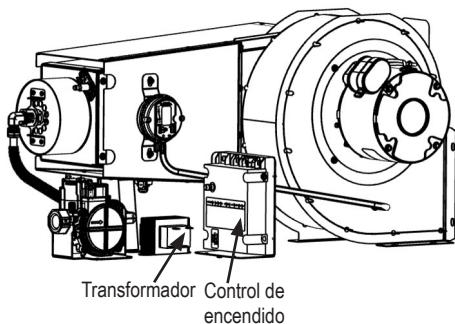


Transformador

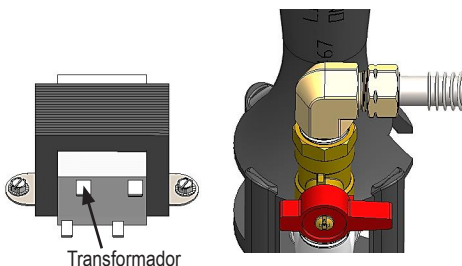
El transformador reduce el voltaje de suministro de energía principal a 24 V de CA para el funcionamiento del control de encendido.

Sin un suministro de 24 V de CA del transformador, el control de encendido no funcionará y tampoco lo hará el calefactor.

Premier 40



Premier 80/170, se muestra Premier 170



Verificaciones de la presión de gas



ADVERTENCIA

- No desarme la válvula de control de gas.
- No intente reemplazar ningún componente de la válvula de control de gas.
- La válvula de control de gas se debe reemplazar si se produce algún daño físico.
- Si no se cumple con esta advertencia, se producirán incendios o explosiones que podrían derivar en situaciones de daños materiales, lesiones o muerte.

- A continuación, se explica un procedimiento típico que se debe seguir para verificar las presiones de gas.
- Las presiones de gas variarán según el tipo de combustible.
- Consulte la placa de datos del calefactor o la página 4 de este manual para hallar las presiones específicas que se deben usar en relación con este procedimiento.
- La presión de gas medida en la entrada de la válvula de gas es la presión de entrada, y la presión de gas medida en la salida de esta es la presión del colector del quemador.

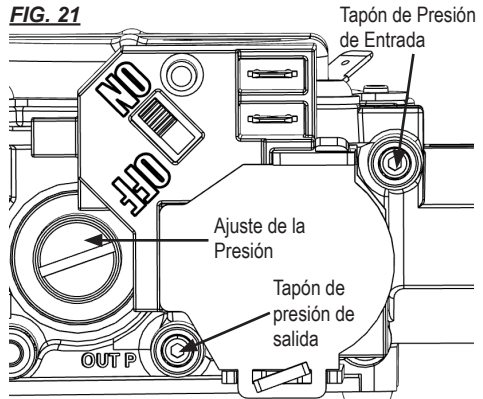
A. Preparación

1. Obtenga dos manómetros con capacidad para leer hasta 35 in de columna de agua.
2. Desconecte el calefactor del suministro eléctrico y cierre la válvula de suministro de combustible de la entrada del calefactor.
3. Abra el panel de acceso al quemador.
4. Cepille o sople el polvo o la suciedad que haya en la válvula de control del gas o cerca de esta.

B. Instalación de los manómetros

1. Ubique las tomas de presión de entrada y salida (vea la Fig. 21). Afloje el tornillo del grifo de presión con una llave Allen de 3/32.

FIG. 21



2. Conecte un manómetro a cada toma de presión de manera segura.
3. Abra las válvulas de suministro de combustible del calefactor y vuelva a conectar el suministro eléctrico del calefactor.
4. Encienda el calefactor.

C. Lectura de presiones

1. Con el calefactor funcionando, los manómetros deberían indicar las presiones especificadas en la placa de datos.
2. ¿Las lecturas de los manómetros de entrada y salida concuerdan con las que se especifican en la placa de datos? Si así es, entonces no se necesitan más verificaciones ni ajustes. Siga a la sección D.
3. Si las presiones de entrada no concuerdan con las que se especifican en la placa de datos, se deberá ajustar el regulador que controla la presión de gas del calefactor.
4. Si las presiones de entrada son correctas y la presión del colector del quemador no concuerda con la que se especifica en la placa de datos, se deberá ajustar el regulador de presión interno de la válvula de control de gas. La Fig. 21 muestra la ubicación del regulador.
5. Retire el tornillo de cabeza del regulador de presión y ajuste el tornillo interno para aumentar (en sentido horario) o disminuir (en sentido antihorario) la presión a la presión deseada.
6. Instale la tapa del regulador nuevamente en la válvula de gas cuando haya terminado. Apriete bien.

D. Finalización

1. Una vez que se confirmen y ajusten de manera adecuada las presiones de entrada y del colector del quemador, cierre la válvula de suministro de combustible del calefactor y deje que este consuma el gas restante en la línea de suministro.
2. Desconecte el calefactor de su suministro eléctrico.
3. Quite los manómetros y las mangueras de conexión.
4. Apriete firmemente el tornillo del grifo de presión. Verifique que no existan fugas de gas.

- Manómetro de presión baja: para verificar las presiones de entrada y salida de la válvula de control de gas con respecto a los valores de la placa de datos.

- Inspeccione el equipo visualmente en busca de daños evidentes.

- Verifique todo el cableado en busca de conexiones sueltas e indicios de desgaste en el aislamiento.

Consulte la secuencia de funcionamiento del sistema que se incluye en esta sección para comprender cómo funciona el equipo durante una demanda de calor. Comprender la secuencia de funcionamiento es importante, ya que se relaciona con la resolución de problemas.

Junto al interruptor selector se encuentran cuatro luces verdes. Cada luz se activará en secuencia a medida que el control de encendido verifique el circuito asociado dentro del calefactor. Si no se verifica un circuito, la luz correspondiente no se activará. Los problemas más comunes del modo de calefacción se identifican cuando se APAGA una luz verde ante una falla específica. Sin embargo, también pueden producirse otros dos problemas. Consulte la información que se ofrece a continuación.

Identifique el problema específico y luego consulte el diagrama de flujo de resolución de problemas correspondiente.

Problemas del modo de calefacciónPágina

La luz de estado de alimentación no se enciende.....28

La luz de estado del transformador no se enciende 28

La luz de estado de comprobación de aire no se enciende.....29

La luz de estado de control de gas no se enciende...30

Todas las luces se encienden, el motor del ventilador funciona y el quemador no se enciende31

Todas las luces se encienden, a EXCEPCIÓN de la luz de la válvula de gas.

El motor del ventilador no funciona y el quemador no se enciende.32

El calefactor se enciende, pero no permanece encendido.....32

Problemas del modo de ventilaciónPágina

El motor no funciona.....32

Guía de resolución de problemas

LEA TODA ESTA SECCIÓN ANTES DE COMENZAR A RESOLVER PROBLEMAS.



ADVERTENCIA

- Este calefactor puede encenderse en cualquier momento.
- Para resolver cualquier problema que presente este sistema, tal vez sea necesario hacer funcionar la unidad con voltaje de línea presente y el gas encendido. Proceda con extrema precaución al trabajar en el calefactor.
- El incumplimiento de esta advertencia podría derivar en situaciones de daños materiales, lesiones o muerte.

En la siguiente guía de resolución de problemas se proporcionan procedimientos para el aislamiento de problemas del equipo. Esta guía está orientada a PERSONAS CALIFICADAS EN MANTENIMIENTO DE CALEFACTORES A GAS. **NO INTENTE REALIZAR EL MANTENIMIENTO AL CALEFACTOR A MENOS QUE HAYA RECIBIDO LA CAPACITACIÓN ADECUADA.**

SE NECESITA EQUIPOS DE PRUEBA

Se necesitarán los siguientes equipos de prueba para resolver cualquier problema que presente este sistema con el mínimo tiempo y esfuerzo.

- Multímetro digital: para medir voltajes y resistencias de CA y CC.

Los componentes deben reemplazarse solo luego de que cada paso se haya completado y se sugiera el reemplazo en el diagrama de flujo. Consulte las secciones sobre mantenimiento, según sea necesario, para obtener información sobre los procedimientos de desarmado y reemplazo del componente una vez identificado el problema a través del diagrama de flujo.

SECUENCIA DE FUNCIONAMIENTO DEL

ENCENDIDO DIRECTO:

- El termostato demanda calor.
 - La luz de energía está activa e indica que el calefactor recibe el suministro de energía principal..
- Se envía voltaje de línea al interruptor selector.
- El interruptor selector envía voltaje de línea al transformador y al control de encendido.
- El transformador reduce el voltaje de línea a 24 voltios, que se envían al control de encendido.
 - La luz del transformador se activa, lo cual indica que el control de encendido recibe 24 voltios del transformador.
- El módulo de control de encendido realiza una verificación automática de seguridad.
- El motor se enciende.
- El módulo de control de encendido envía 24 voltios al interruptor de comprobación de aire.
 - Se prueban los componentes internos.
 - Se verifica y comprueba el circuito de comprobación de aire.
- El módulo control de encendido inicia la secuencia de prueba de encendido.
- El interruptor de comprobación de aire se cierra y se devuelven 24 voltios al módulo de control de encendido.
 - Se activa la luz del interruptor de comprobación de aire, lo cual indica que el circuito de comprobación de aire funciona correctamente.
- El módulo de control de encendido envía alto voltaje al electrodo del encendedor.
 - El encendedor produce chispas.
- El módulo de control de encendido envía 24 voltios al control de gas a través del interruptor de límite superior.
 - Se activa la luz de la válvula de gas, lo cual indica que esta recibe 24 voltios.
 - La válvula de control de gas se abre.
 - Se produce el encendido.
- El encendedor sigue produciendo chispas hasta que se comprueba la llama.
 - La chispa de encendido se apaga.

- La válvula de gas permanece abierta.
- El ambiente se calienta hasta la temperatura deseada.
 - El termostato está abastecido.
 - El calefactor se apaga.
- Se inicia nuevamente el proceso con la demanda de calor.

SECUENCIA DE FALLA EN EL ENCENDIDO:

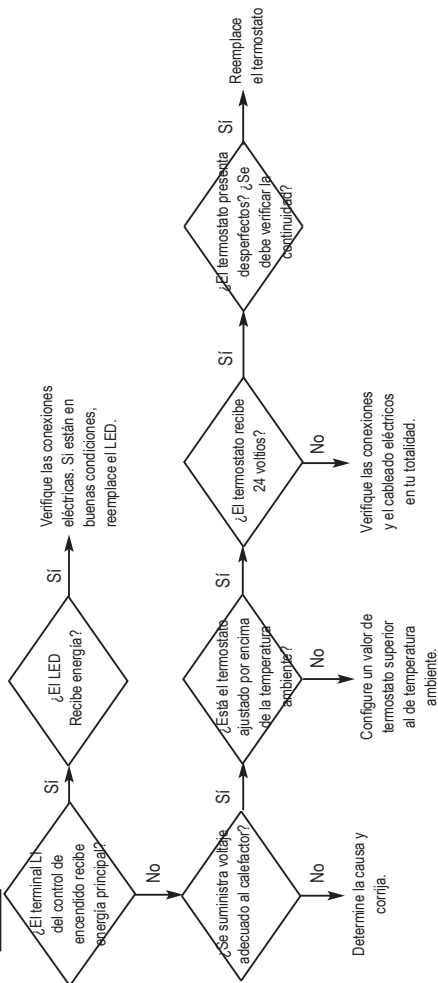
- Se realizan tres intentos de encendido. Cada intento dura 10 segundos.
- Si la llama del quemador no queda encendida al finalizar el tercer intento, se activa el bloqueo de seguridad del módulo.
 - La válvula de gas se cierra.
 - La chispa de encendido se apaga.
 - El motor del ventilador se detiene.
- **Para realizar otro intento de encendido, los sistemas deben reiniciarse:**
 - Gire el termostato hacia abajo y luego hacia arriba para solicitar calor, desenchufe y vuelva a enchufar el calefactor o
 - mueva el interruptor selector hasta la posición de apagado y luego nuevamente hasta la de encendido.

MODO DE CALEFACCIÓN:

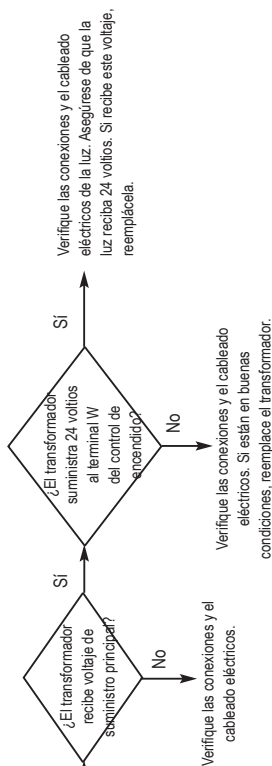
Todas las luces están ENCENDIDAS.

Funcionamiento normal

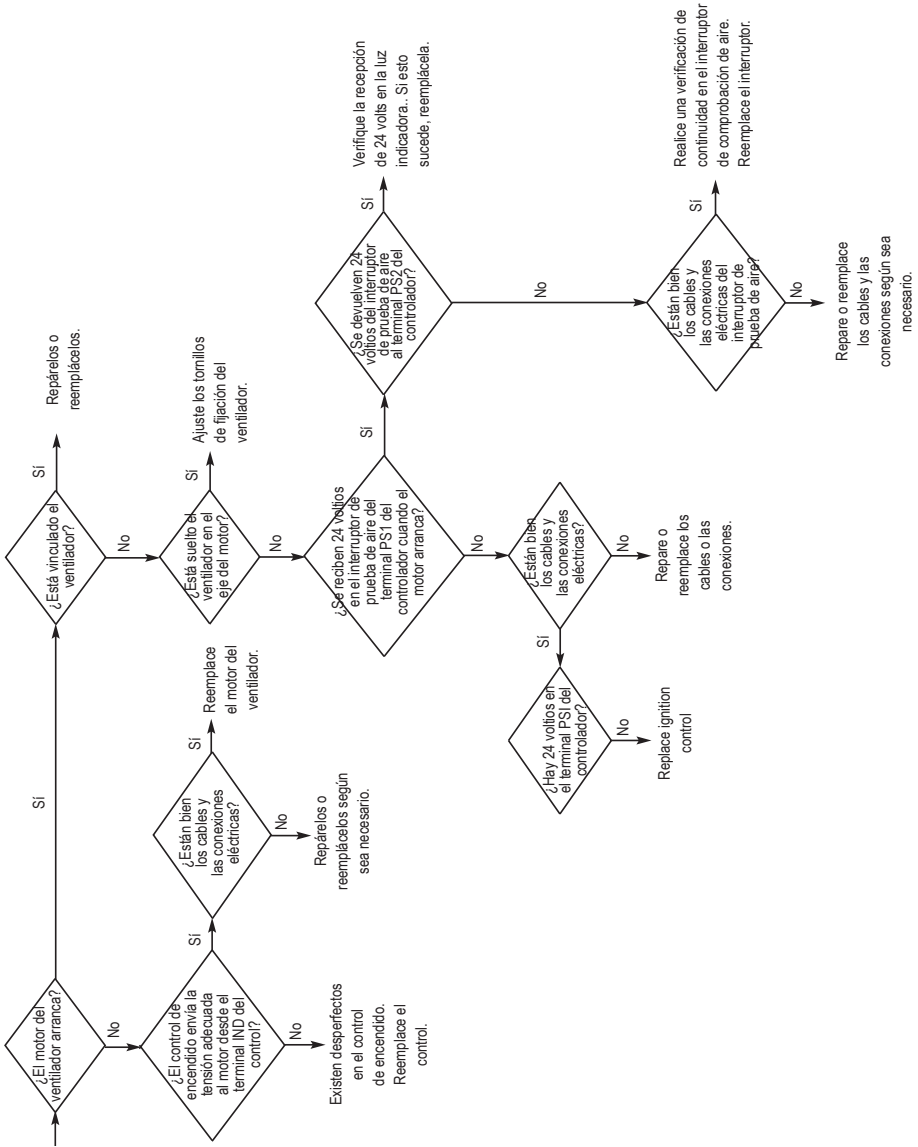
La luz de estado de alimentación no se enciende.

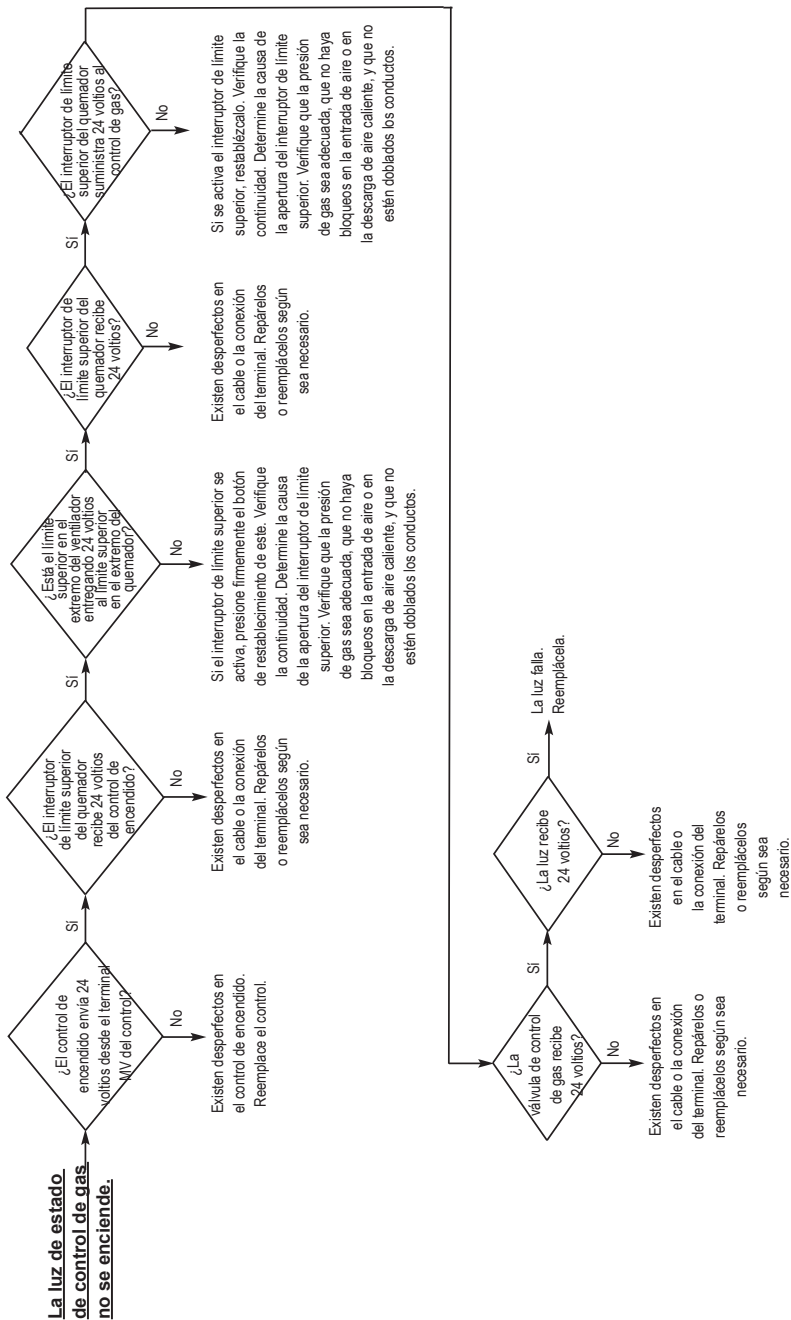


La luz de estado del transformador no está encendida.

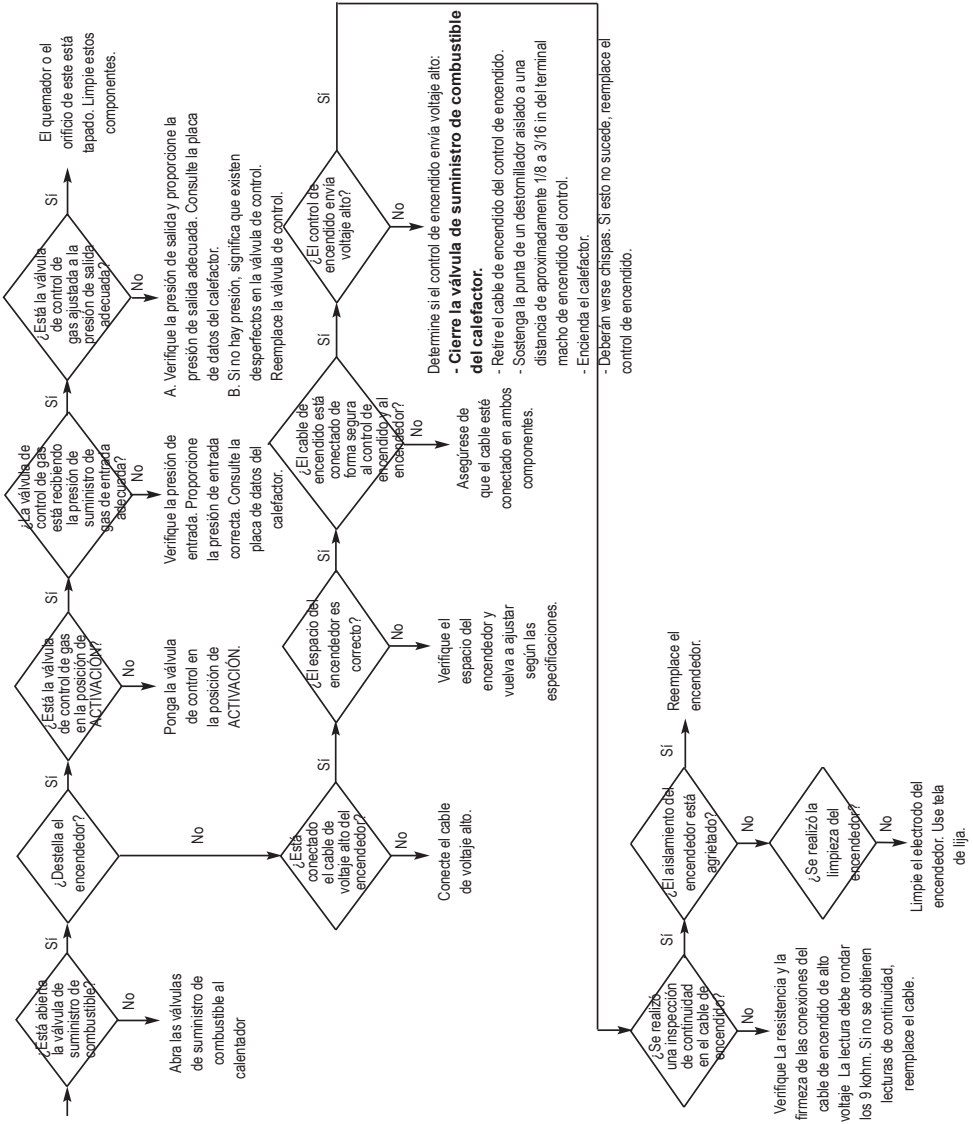


La luz de estado de comprobación de aire no se enciende.





Todas las luces están encendidas, el motor del ventilador funciona pero el quemador no se enciende.



Todas las luces se encienden. a. **EXCEPCIÓN de la luz de la válvula de gas. El motor del ventilador no funciona y el quemador no se enciende.**

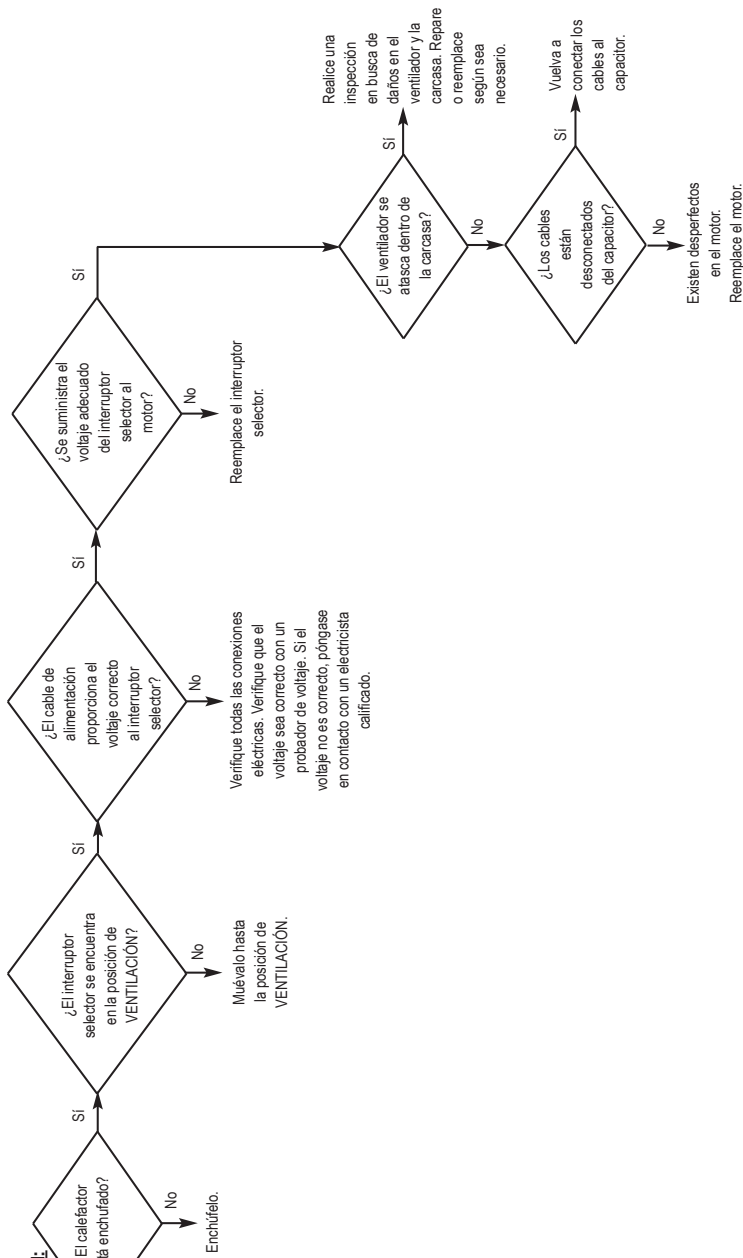
El interruptor de prueba de aire ha fallado en la posición cerrada. Verifique la obstrucción del flujo de aire y la continuidad. Si no la encuentra, reemplace el interruptor.

El problema se debe a deficiencias en la detección de llama o desperfectos relacionados con esta. Realice una inspección en busca de agrietamiento o suciedad en el sensor de llama. Imperfecciones en el posicionamiento de este o deficiencias en la conexión a tierra del suministro eléctrico. (Para que el calefactor funcione de manera continua, el suministro eléctrico debe contar con conexión a tierra).

Todas las luces están encendidas. El quemador se enciende, pero no permanece encendido.

MODO DE VENTILACIÓN:

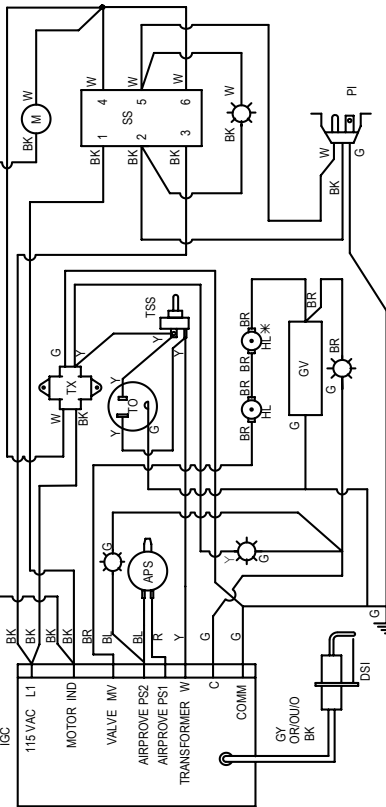
Problema El motor no funciona



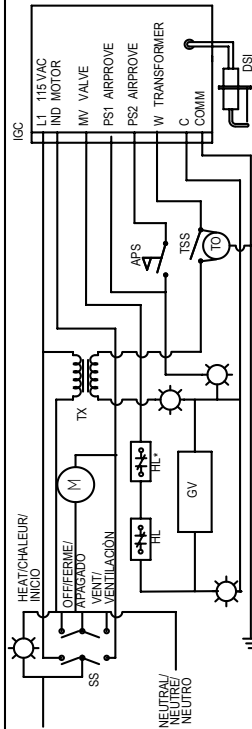
⚠ PRECAUCIÓN

Siempre consulte el diagrama de conexión eléctrica durante el servicio para evitar errores de cableado y el mal funcionamiento del calefactor. Verifique que el funcionamiento sea correcto después del servicio.

- BK: Black/Noir/Negro G: Green/Verti/Verde
 - BL: Blue/Bleu/Azul BR: Brown/Bruin/Marrón
 - R: Red/Rouge/Rojo W: White/Blanc/Blanco
 - GY: Gray/Gris Y: Yellow/Jaune/Amarillo
- APS: Air Proving Switch/Interruptor de Verificación de Débit d'Air/Interruptor de Comprobación de Aire
- DSI: Direct Sense Igniter/Allumeur Direct/Encendedor
- GV: Gas Control Valve/Valve de Commande de Gaz/Valvula de Control de Gas
- HL: High Limit Heat Switch/ Interrupteur de Limite Elevée/Interruptor de Limite Superior
- IGC: Ignition Control/ Control de Allumage/ Control de Encendido de Chispa
- M: Motor/Moteur
- PI: Power Inlet/Entrée d'Alimentation/Entrada de Energia
- SS: Selector Switch/Sélecteur/Interruptor de Selección
- TO: Thermostat outlet/Sortie thermostat/salida del termostato
- TSS: Thermostat selector switch/Interrupteur de sélection du thermostat/Interruptor selector del termostato
- TX: Transformer/Transformateur/Transformador
- ☀ LED/Voyant DEL/Luz
- ⏚ Earth Ground/Mise a la Terre/ Conexión Tierra
- * Only 1 High Limit Heat Switch on TS040/Un seul Interrupteur de Limite Elevée sur le TS040/Solo 1 Interruptor de Limite Superior en TS040
- 150-132561 REV/B



ELECTRICAL CONNECTION DIAGRAM / CONNEXIONS ELECTRIQUES / DIAGRAMA DE CONEXIONES ELÉCTRICAS



ELECTRICAL LADDER DIAGRAM / DIAGRAMME EN ESCALIER / DIAGRAMA ELÉCTRICO DE ESCALERA

IF ANY OF THE ORIGINAL WIRING IS SUPPLIED WITH THE HEATER MUST BE REPLACED. IT MUST BE REPLACED WITH WIRING MATERIAL HAVING A TEMPERATURE RATING OF AT LEAST 302°F (150°C).
 SI UNO DE LOS CABLES ORIGINALES QUE SE PROPORCIONA CON EL CALENTADOR DEBE SER REEMPLAZADO POR UN CABLE CON UNA CLASIFICACIÓN DE TEMPERATURA DE AL MENOS 302°F (150°C).
 SI SE DEBE CAMBIAR CUALQUIER CABLE ORIGINAL PROPORCIONADO CON EL APARATO, SE DEBE CAMBIAR POR UN CABLE CON UNA CLASIFICACIÓN DE TEMPERATURA DE AL MENOS 302°F (150°C).

Diagrama de identificación de piezas de mantenimiento

Premier 40 - Número de serie L000464975 o más reciente

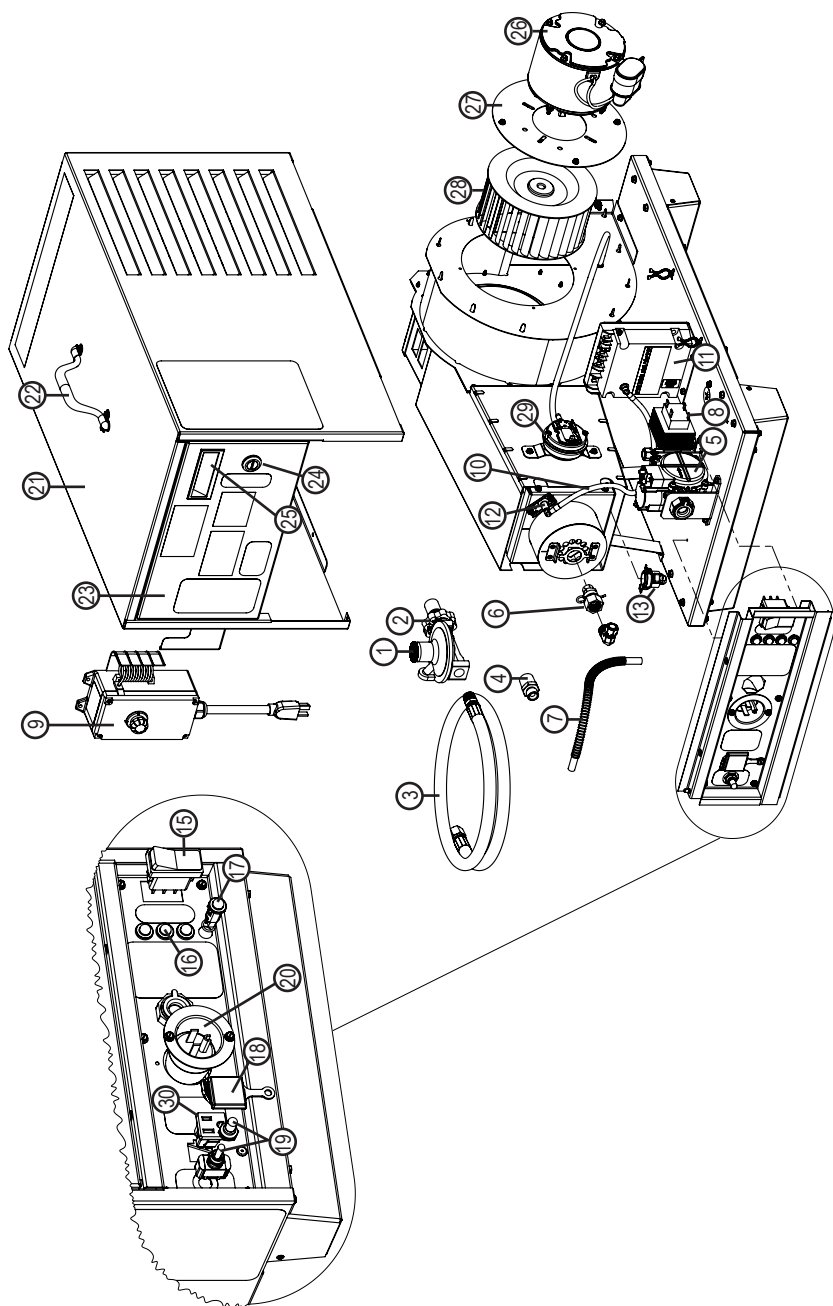
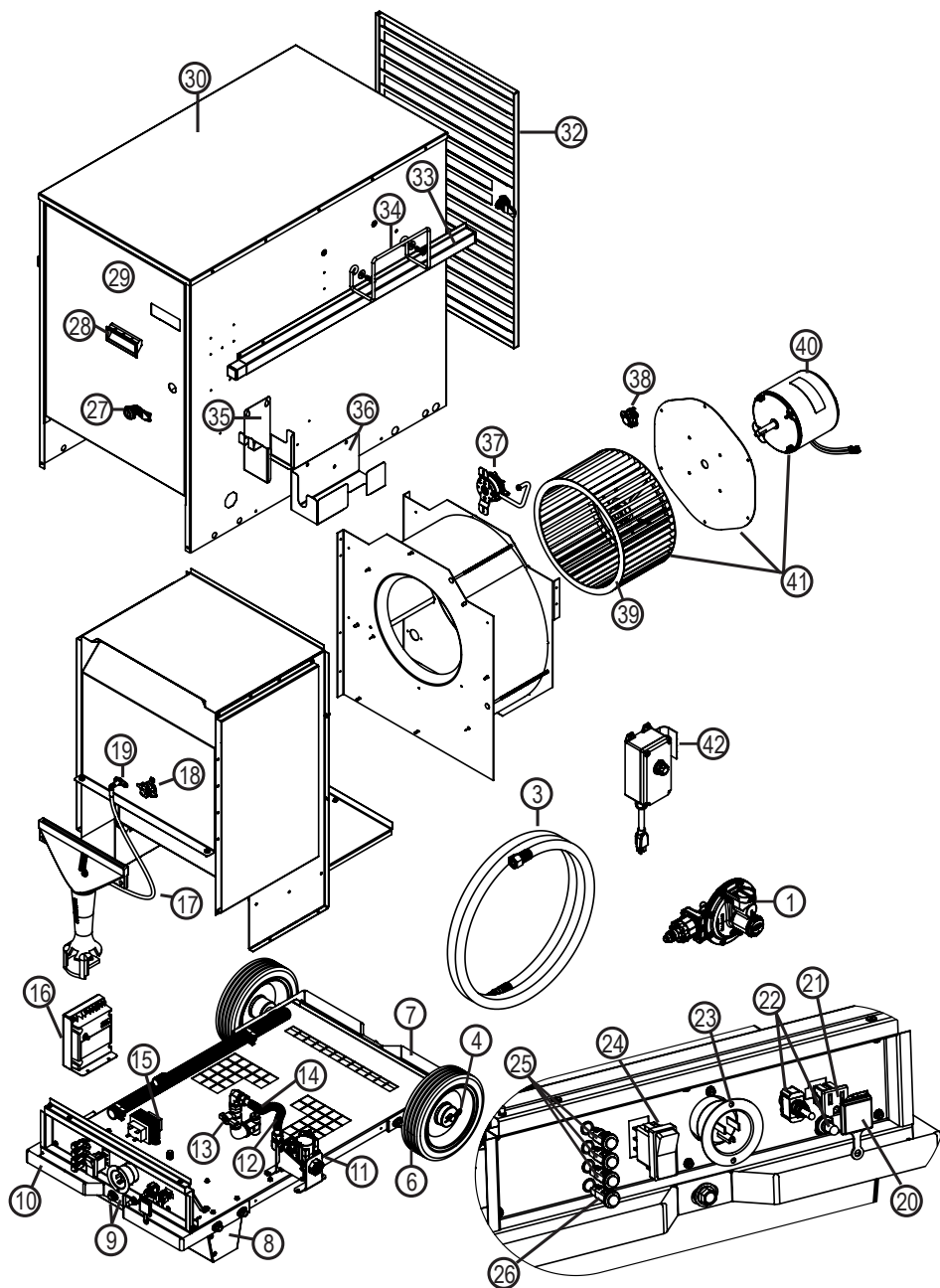


Diagrama de identificación de piezas de mantenimiento Premier 40

Ítem	Descripción	Pieza número	
1	Regulador, Gas Propano con POL y Volante	500-26377	
2	Volante con resorte	500-26395	
3	Manguera 3/8 in x1 5 ft 3/8 in NPT x 5/8-18 con adaptador giratorio	550-22277	
4	Adaptador de manguera 5/8-18 x 1/2 in NPT	573804	
5	*Válvula de gas, 8 pulgadas de columna de agua	574154	
	*Válvula de gas, 10 pulgadas de columna de agua	574240	
6	*Orificio del quemador, 8 pulgadas de columna de agua	574235	
	*Orificio del quemador, 10 pulgadas de columna de agua	574156	
7	Línea de combustible, 11,75 in, acero inoxidable con tuercas y manguitos	574155	
8	Transformador	509615	
9	Termostato, con cable de 1.4 pies / 0,43 m	500-132976	
	Termostato, con cable de 25 pies / 7,62 m	500-30125	
10	Cable del encendedor (no se muestra en la imagen)	572847	
11	Control de encendido	573946	
12	Encendedor	574157	
13	Interruptor, límite superior	573099	
14	Arnés, cable (no se muestra en la imagen)	574158	
15	Interruptor selector, ventilación encendido/apagado	574122	
16	Luz de estado, verde 24 voltios	574159	
17	Luz de estado, verde 120 voltios	573770	
18	Cubierta de salida del termostato	574138	
19	Interruptor selector de termostato con arranque	570456	
20	Enchufe de alimentación, empotrado	574125	
21	Montaje de la caja	574160 Rev. A	574319 (Rev. B)
22	Mango superior con tornillos	572522	
23	Montaje de la puerta	574161	
24	Cierre de la puerta	574162	
25	Manija de la puerta, empotrada	574124	
26	Motor	520290	
27	Montaje del motor	574163	
28	Turbina	570230	
29	Interruptor de presión de aire	574239	
30	Receptáculo a presión	573570	

* Consulte la placa de identificación del calentador para conocer la presión del colector.

Esquema de identificación de piezas de servicio Premier 80/170 (Premier 170 shown)



Esquema de identificación de piezas de servicio

Premier 80/170

Ítem	Descripción	CS080	TS080	CS170	TS170
1	Regulador	573610	500-26377	500-26423	500-26419
2	Volante con resorte (No mostrado)	500-26395			
3	Kit de manguera universal, manguera de 15 pies / 4,57 m con adaptadores	500-24600			
4	Pasador de retención	N/A		500-26417	
5	Juego de eje	N/A		500-26415	
6	Juego de rueda	N/A		500-26418	
7	Manija soporte, extremo del motor	N/A		500-26427	
8	Juego de soportes de patas	574419		574420	
9	Perno y arandela	574210			
10	Manija, soporte, quemador	N/A		500-26426	
11	Válvula, control de gas	574154			
12	Tubo de 8 pulgadas con uniones	574012			
13	Válvula selectora de gas (solo DF)	574205	N/A	574198	N/A
14	Quegador Orificio	574213	574214	574211	574212
15	Transformador	509615			
16	Control de encendido	573946			
17	Cable, encendedor, 17 pulgadas x 5 mm	574262			
18	Interruptor, límite alto, extremo del quemador	503933			
19	Encendedor	574196			
20	Cubierta de salida del termostato	574138			
21	Receptáculo del termostato	573570			
22	Interruptor selector de termostato con arranque	570456			
23	Enchufe de alimentación, empotrado	574125			
24	Interruptor selector, encendido / apagado / ventilación	574122			
25	Luz de estado, verde 24 voltios	574159			
26	Luz de estado, verde 120 voltios	573770			
27	Cierre de la puerta	574162			
28	Manija de la puerta, empotrada	574124			
29	Puerta, extremo del quemador	574208		574202	
30	Cojunto de caja	574207	574206	574201	574200
31	Asa, parte superior de la caja (no se muestra)	571628		N/A	
32	Puerta, tipo de persiana, extremo del motor	574209		574203	

Esquema de identificación de piezas de servicio

Premier 80/170

Ítem	Descripción	CS080	TS080	CS170	TS170
33	Manija, deslizable	N/A		571760	
34	Soporte, manguera	571619			
35	Soporte, almacenamiento del termostato	574217			
36	Soporte, almacenamiento del regulador	N/A		574314	574315
37	Interruptor de presión de aire	574239			
38	Interruptor, límite alto, extremo del motor	571671		571400	
39	Rueda de ventilador	570304		570481	
40	Motor	520292		520169	
41	Motor, placa de montaje del motor, conjunto de rueda del ventilador	574204		574197	
42	Termostato, con cable de 1.4 pies / 0,43 m	500-132976			
	Termostato, con cable de 25 pies / 7,62 m	500-30125			

Política de garantía

CALEFACTOR

L.B. White Company, LLC garantiza que los componentes de su calefactor están libres de defectos de material y mano de obra, cuando se instalan, operan y mantienen correctamente de acuerdo con las Instrucciones de Instalación y Mantenimiento, guías de seguridad y etiquetas contenidas en cada unidad. Si dentro de los 24 meses a partir de la fecha de compra por parte del usuario final se encuentran defectos en algún componente, L.B. White Company, LLC reparará o reemplazará, a su elección la parte defectuosa o el calefactor, con una parte nueva o calefactor, F.O.B., Onalaska, Wisconsin. Al registrar su producto en línea con L.B. White habilitará automáticamente la garantía para una unidad y sus piezas. Si un producto no se registra en L.B. White, se requerirá una copia de la factura de venta a fin de establecer la calificación para la garantía. Si nada de lo anterior está disponible, el período de garantía será de 24 meses a partir de la fecha del envío por parte de L.B. White.

PIEZAS

L.B. White Company, LLC garantiza que las piezas de repuesto compradas a la empresa y usadas en el correspondiente equipo L.B. White están libres de defectos tanto de materiales como de mano de obra durante 12 meses a partir la fecha de compra por parte del usuario final. La garantía es automática si se encuentra que un componente está defectuoso dentro de los 12 meses del código de fecha marcado en la pieza. Si el defecto ocurre más de 12 meses después del código de fecha pero dentro de los 12 meses de la fecha de compra por el usuario final, se solicitará una copia de la factura de venta para que quede habilitada la garantía.

La garantía descrita arriba es la garantía exclusiva otorgada por L.B. White, y cualquier otra garantía, incluida cualquier garantía implícita o comerciabilidad o idoneidad para un propósito en particular, queda expresamente denegada. En el caso de cualquier garantía implícita que no esté eficazmente denegada en el presente documento por efecto de la ley, tal garantía implícita está limitada en tiempo a la duración de la correspondiente garantía mencionada arriba. Los recursos establecidos arriba son los recursos exclusivos disponibles conforme al presente documento. L.B. White no será responsable por ninguno

de los daños y perjuicios incidentales o emergentes directa o indirectamente en relación con la venta, la manipulación o el uso del equipo, y en todo caso la responsabilidad de L.B. White con respecto al equipo, incluidos reclamos basados en negligencia o responsabilidad estricta, está limitada al precio de compra.

Algunos estados no permiten limitaciones en cuanto a la duración de una garantía implícita, por lo que es posible que la limitación anterior no se aplique en su caso. Algunos estados no permiten la exclusión o limitación de daños incidentales o consecuentes, por lo que es posible que la limitación o exclusión anterior no se aplique en su caso. Esta garantía le otorga derechos legales específicos, y usted también puede tener otros derechos que varían de un estado a otro. Para registrar su producto y asegurarse de contar con la garantía completa, visite: http://www.lbwhite.com/customer_care_center/product-registration/. Tenga a mano el número o los números de serie y modelo de los productos que registrará.

Mantenimiento

Póngase en contacto con su distribuidor local de L.B. White para acceder a repuestos y servicio. También puede llamar a L.B. White Company, LLC al 1-800-345-7200, para recibir ayuda, o enviar un correo electrónico a customerservice@lbwhite.com.

Cuando llame, asegúrese de contar con el número de modelo del calefactor y el número de configuración.



PROVEEDOR MUNDIAL; SOLUCIONES INNOVADORAS DE CALEFACCIÓN

411 Mason Street, Onalaska, WI 54650

800-345-7200 • 608-783-5691

608-783-6115 (fax)

www.lbwhite.com



Premier Fornaises gainables

TS040	40 000 Btuh / 11,7 kW
CS/TS080 2.0	80 000 Btuh / 23,4 kW
CS/TS170 2.0	170 000 Btuh / 49,8 kW

À retrait de vapeur GPL ou
mixte gaz-fuel

Consulter ce manuel en ligne à l'adresse www.lbwhite.com

Attention

Cet appareil a été testé et évalué par les laboratoires d'essais OMNI conformément aux exigences de la norme ANSI Z83.7-2017•CSA 2.14-2017 a et il est coté et approuvé à titre de fournaise gainable de radiateur de construction à air pulsé à circulation indirecte alimentée au gaz avec une application pour le chauffage temporaire de bâtiments en cours de construction, de rénovation ou de réparation. En outre, l'application de cet appareil a été examinée et approuvée par les laboratoires d'essais OMNI et pour les applications américaines et canadiennes de chauffage de tente avec occupation humaine temporaire. **CONSULTER VOTRE SERVICE D'INCENDIE LOCAL, VOTRE FOURNISSEUR DE GAZ COMBUSTIBLE LOCAL, OU LA SOCIÉTÉ LB WHITE SI VOUS AVEZ DES QUESTIONS CONCERNANT LES APPLICATIONS.**

CONSULTER LES INSTRUCTIONS D'ASSEMBLAGE À L'INTÉRIEUR

Veillez vous reporter aux instructions concernant la haute altitude sur la couverture intérieure.

FOURNISSEUR MONDIAL - SOLUTIONS INNOVANTES DE CHAUFFAGE

411 Mason Street, Onalaska, WI 54650 • 1 800 345-7200 • 608 783-5691 • 608 783-6115 (télécopieur) • www.lbwhite.com



N° de rapport : 0545GH004S



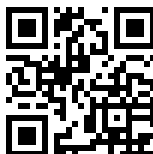
Félicitations!

Vous avez acheté la meilleure fournaise à flux de chaleur disponible. Votre nouvelle fournaise L.B. Le radiateur blanc intègre les avantages du fabricant de produits de chauffage le plus expérimenté qui utilise une technologie de pointe.

L'équipe de L.B. White, vous remercie de la confiance que vous accordez à nos produits et indique qu'elle est ouverte à vos suggestions ou vos commentaires, pour se faire, communiquez avec nous sans frais au 1 800-345-7200.

REMARQUER

Les présentes instructions d'installation sont celles de L.B. White Co. LLC a suggéré des recommandations et des lignes directrices pour l'installation temporaire ou permanente du L.B. Radiateurs White Co. LLC. Les exigences des codes locaux, provinciaux, électriques et de sécurité remplacent ces directives. En l'absence de codes locaux, voir page 7 pour une installation aux États-Unis ou au Canada.



NUMÉRISER CECI

avec votre téléphone intelligent ou visiter le site <http://goo.gl/nvneR> pour y voir des vidéos d'entretien pour les fournaises L.B.White.*

* Nécessite une application comme QR Droid pour Android ou iPhone

TABLE DES MATIÈRES

Spécifications de la fournaise.....	4
Renseignements généraux.....	5
Précautions de sécurité.....	5
Instructions générales d'installation.....	9
Dimensionnement de l'alimentation propane.....	11
Raccordement du thermostat.....	12
Connexion du régulateur à l'approvisionnement en gaz.....	14
Instructions de démarrage.....	15
Instructions d'arrêt.....	16
Instructions de nettoyage.....	17
Instructions de maintenance.....	17
Instructions d'entretien courant.....	18
Vérifications de la pression du gaz.....	23
Information de dépannage.....	25
Raccordement électrique et diagramme en échelle.....	32
Schémas des pièces et liste des pièces.....	34
Politique de garantie.....	39



AVERTISSEMENT

Les produits standards sont fabriqués pour fonctionner de façon optimale à des altitudes comprises entre 0 et 610 m (0 et 2 000 pieds) au-dessus du niveau de la mer.

En cas d'utilisation à des altitudes plus élevées, le produit ne fonctionnera pas correctement et pourrait même devenir dangereux. Des produits offrant un fonctionnement adéquat pour convenir à des niveaux d'altitude différents peuvent être disponibles.

Si vous avez besoin d'un produit pour haute altitude, que vous ne l'avez pas précisé au moment de la commande ou que la boîte de cet appareil ne comportait aucune étiquette de désignation de l'altitude, communiquer avec l'équipe de l'assurance technique.

**MISES EN GARDE GÉNÉRALES**

- LE NON-RESPECT DES MISES EN GARDE ET DES INSTRUCTIONS FOURNIES AVEC CE RADIATEUR PEUT ENTRAÎNER :
 - LA MORT
 - DE GRAVES BLESSURES OU BRÛLURES
 - DES DOMMAGES MATÉRIELS CAUSÉS PAR DES INCENDIES OU DES EXPLOSIONS
 - UNE ASPHYXIE PROVOQUÉE PAR UN MANQUE D'AIR OU UN EMPOISONNEMENT AU MONOXYDE DE CARBONE
 - UNE DÉCHARGE ÉLECTRIQUE
- VEUILLEZ LIRE CE MANUEL DU PROPRIÉTAIRE AVANT D'INSTALLER OU D'UTILISER CE PRODUIT.
- SEULES LES PERSONNES APTES À COMPRENDRE ET À SUIVRE LES INSTRUCTIONS DEVRAIENT SE SERVIR DE CE RADIATEUR OU LE RÉPARER.
- CONSERVER CE MANUEL DU PROPRIÉTAIRE POUR UN USAGE FUTUR ET À TITRE DE RÉFÉRENCE.
- LES MANUELS DU PROPRIÉTAIRE DE REMPLACEMENT SONT DISPONIBLES. CONSULTEZ LE SITE WEB, OU POUR OBTENIR DE L'AIDE, CONTACTEZ L.B. WHITE AU 1 800 345-7200.

**AVERTISSEMENT**

- UNE PRESSION D'ALIMENTATION EN GAZ ADÉQUATE DOIT ÊTRE FOURNIE À L'ENTRÉE DE LA FOURNAISE.
- REPORTEZ-VOUS À LA PLAQUE DE DONNÉES POUR CONNAÎTRE LA PRESSION D'ALIMENTATION EN GAZ.
- UNE PRESSION DE GAZ SUPÉRIEURE À LA PRESSION D'ENTRÉE MAXIMALE PRÉCISÉE À L'ENTRÉE DE LA FOURNAISE PEUT PROVOQUER DES INCENDIES OU DES EXPLOSIONS.
- DES INCENDIES OU DES EXPLOSIONS PEUVENT ENTRAÎNER DES BLESSURES GRAVES, VOIRE MORTELLES, OU DES DOMMAGES MOBILIERS.
- UNE PRESSION DE GAZ INFÉRIEURE À LA PRESSION D'ENTRÉE MINIMALE PRÉCISÉE À L'ENTRÉE DE LA FOURNAISE PEUT PROVOQUER UNE MAUVAISE COMBUSTION.
- UNE MAUVAISE COMBUSTION PEUT MENER À L'ASPHYXIE OU À L'EMPOISONNEMENT AU MONOXYDE DE CARBONE ET DES BLESSURES GRAVES, VOIRE MORTELLES.

**AVERTISSEMENT
DANGER D'INCENDIE ET D'EXPLOSION**

- NE PAS UTILISER DANS UNE MAISON OU UN VÉHICULE DE CAMPING.
- L'INSTALLATION DE CETTE FOURNAISE DANS UNE MAISON OU UN VÉHICULE RÉCRÉATIF PEUT PROVOQUER UN INCENDIE OU UNE EXPLOSION.
- LES INCENDIES ET LES EXPLOSIONS PEUVENT CAUSER DES DOMMAGES MATÉRIELS ET LA MORT.

**AVERTISSEMENT
RISQUE D'INCENDIE, DE BRÛLURES,
D'INHALATION ET D'EXPLOSION**

- GARDER LES COMBUSTIBLES SOLIDES À BONNE DISTANCE DE CE RADIATEUR.
- LES COMBUSTIBLES SOLIDES INCLUENT LE BOIS, LE PAPIER OU LES PRODUITS DE PLASTIQUE, LES MATÉRIAUX DE CONSTRUCTION ET LA POUSSIÈRE.
- NE JAMAIS UTILISER CET APPAREIL DANS DES ENDROITS QUI CONTIENNENT OU POURRAIENT CONTENIR DES COMBUSTIBLES VOLATILES OU EN SUSPENSION DANS L'AIR.
- LES COMBUSTIBLES VOLATILES OU EN SUSPENSION INCLUENT L'ESSENCE, LES SOLVANTS, LES DILUANTS POUR PEINTURE, LES PARTICULES DE POUSSIÈRES OU DES PRODUITS CHIMIQUES INCONNUS.
- OMETTRE DE SUIVRE CES INSTRUCTIONS PEUT ENTRAÎNER UN INCENDIE OU UNE EXPLOSION.
- LES INCENDIES ET LES EXPLOSIONS PEUVENT CAUSER DES DOMMAGES MATÉRIELS, DES BLESSURES VOIRE LA MORT.

**POUR VOTRE
SÉCURITÉ**

Ne pas ranger ou utiliser de l'essence ou d'autres vapeurs ou liquides inflammables à proximité de cet appareil ou d'un autre.

**POUR VOTRE
SÉCURITÉ**

Si vous sentez une odeur de gaz :

1. Ouvrir les fenêtres.
2. Ne pas toucher aux interrupteurs électriques.
3. Éteindre toute flamme nue.
4. Appeler immédiatement votre fournisseur de gaz.

**AVERTISSEMENT**

Cancer et effets nocifs sur la reproduction.
Voir www.P65Warnings.ca.gov.

Spécifications

	TS040	CS080	TS080	CS170	TS170		
Type de Carburant	Propane	Propane	Gaz Naturel	Propane	Propane	Gaz Naturel	Propane
Entrée Maximale (Btuh / kWh)	40 000 / 11,7	80 000 / 23,4		170 000 / 49,8			
Pression d'admission du bruleur (Po de colonne d'eau / kPa)	8,0 / 2,0						
Pression d'alimentation en gaz acceptable à l'entrée de la fournaise à des fins d'ajustement (Po de colonne d'eau / kPa)	MAX. 13,5 / 3,36						
	MIN. 11,0 / 2,7						
Consommation de carburant par heure:	1,86 / 0,84	3,71 / 1,68	80 / 2,00	3,71 / 1,68	7,88 / 3,57	170 / 4,81	7,88 / 3,57
Propane (lbs. / kg)							
Gaz Naturel (pi ³ / m ³)							
Caractéristiques du moteur	Roulement à billes						
	1/12 HP / 60 Watts 1 700 tr/m	1/8 HP / 93 Watts 1 100 tr/m		1/3 HP / 248 Watts 1 100 tr/m			
Alimentation électrique (Volts/Hz/Phase)	120 / 60 / 1						
Consommation en ampère	Au démarrage	2,6	5,0		7,3		
	Fonctionnement continu	1,0	1,5		5,0		
Dimensions (pouces / cm) LxWxH	24,8 x 14,5 x	28 x 13,5 x 22,75 / 71,1 x 34,3 x 57,8		30,75 x 18,25 x 28,25 / 78 x 46,3			
	16,2 / 63 x 36,8 x 41,1			x 71,7			
Distances minimales de sécurité des plus proches matériaux	Partie supérieure	1 / 0,3					
	Côtés	1 / 0,3					
combustibles (pieds / mètres)	Arrière	1 / 0,3					
	Sortie du souffleur	6 / 1,83					
Alimentation en gaz	Propane - États-Unis: 6 / 1,83 Canada: 10 / 3,05 Gaz Naturel - S.O.						
Température ambiante minimale dans laquelle la fournaise peut être utilisé	-20°F / -29°C						

Renseignements généraux

Ce manuel du propriétaire comprend des accessoires fréquemment utilisés avec cette fournaise. Ces accessoires doivent être commandés séparément. Lors d'un appel de service technique, ou pour obtenir toute autre information précise, **toujours** avoir le numéro de modèle et le numéro de série sous la main. Cette information est inscrite sur la plaque signalétique. Ce manuel vous présente le fonctionnement et l'entretien de votre appareil. Lire ce manuel avec votre installateur afin de vous assurer de bien comprendre la fournaise et son fonctionnement. Communiquez avec votre distributeur L.B. White local ou L.B. White Company, LLC pour obtenir de l'aide ou pour obtenir des réponses à vos questions relatives à l'utilisation de l'équipement ou de son application.

La société L.B. White Company, LLC dispose d'une politique d'amélioration continue de ses produits. La société se réserve le droit de modifier les spécifications et la conception sans préavis.

Précautions de sécurité



AVERTISSEMENT

Danger lié à la qualité de l'air

- N'utilisez pas cette fournaise pour chauffer des locaux d'habitation.
- L'utilisation de fournaises à combustion directe dans un environnement de construction ou dans une tente peut entraîner l'exposition à des niveaux de monoxyde de carbone, de dioxyde de carbone, et de dioxyde d'azote considérés nocifs pour la santé et potentiellement mortels.
- Ne pas utiliser dans des zones non ventilées.
- Apprendre à reconnaître les signes d'intoxication au monoxyde de carbone, de dioxyde de carbone
 - Maux de tête, yeux qui piquent.
 - Étourdissements, confusion.
 - Difficulté à respirer, sensation d'étouffement.
- Afin de soutenir la combustion et de maintenir une qualité d'air acceptable, un échangeur d'air de ventilation approprié (OSHA 29 CFR 1926.57) doit être fourni conformément à la provision OSHA 29 CFR partie 1926.154, de l'Administration de la sécurité et de l'hygiène du travail des États-Unis (OSHA), à la norme ANSI A10.10, Exigences relatives aux appareils et appareils de chauffage des locaux temporaires et portatifs utilisés dans l'industrie de la construction de l'Association américaine de normalisation ou aux codes d'installation du gaz naturel et du propane CSA B149.1 de l'Association canadienne de normalisation.
 - Surveiller périodiquement les niveaux de monoxyde de carbone, de dioxyde de carbone et de dioxyde d'azote sur le chantier de construction, au moins au début du quart de travail et après 4 heures.
 - Le cas échéant, assurer un échange d'air de ventilation, naturel ou mécanique, afin de maintenir une qualité d'air intérieure acceptable.

États-Unis 8 h Moyenne pondérée en fonction du temps
(OSHA 29 CFR 1926.55 App A)
WorkSafe BC, section 5.1

CO 50 ppm
CO₂ 5 000 ppm
NO₂

Canada 8 h Moyenne pondérée en fonction du temps
Directives sur la santé et la sécurité au travail de
et la Réglementation 833 de l'Ontario relative aux
lieux de travail

25 ppm
5 000 ppm
3 ppm (Rég. 833)

É.-U. – Hauteur limite du plafond
(Limite d'exposition à court terme = 15 minutes)
section 5.1 et Réglementation sur les lieux de travail de l'Ontario, 833

CO 100 ppm
CO₂ 15 000 ppm (WSBC)
30 000 ppm (Rég. 833)
NO₂ 5 ppm

Canada STEL (15 minutes Rég. 833/1 h
WSBC) Directives sur la santé et la
1,0 ppm (WorkSafeBC)
5,0 ppm (Rég. 833)

- Assurez-vous que le débit d'échange d'air de combustion et de ventilation ne peut pas être obstrué.
- La ventilation peut devoir être augmentée au fur et à mesure que le bâtiment se « resserre » pendant les phases de construction.

Odeur de gaz combustible

Des odorants artificiels sont ajoutés au gaz propane et au gaz naturel précisément pour permettre la détection de fuites de gaz combustible. Si une fuite de gaz combustible se produit, vous devriez être en mesure de la sentir . C'EST VOTRE SIGNAL DE PRENDRE IMMÉDIATEMENT DES MESURES!

- Ne rien faire qui pourrait enflammer le gaz combustible. Ne pas faire fonctionner les commutateurs électriques. Ne pas tirer sur les câbles d'alimentation ou les rallonges. Ne pas allumer d'allumettes ou toute autre source de flamme. Ne pas utiliser votre téléphone.
- Évacuer tout le bâtiment et éloigner immédiatement les gens de la zone.
- Fermer tous les robinets d'alimentation en carburant.
- Le gaz propane est plus lourd que l'air et peut se déposer au sol. Lorsque vous avez des raisons de soupçonner une fuite de propane, rester à l'écart de toutes les zones basses.
- Communiquer avec votre fournisseur de gaz combustible et le service d'incendie. Ne pas entrer de nouveau dans le bâtiment ou la zone.
- Rester à l'extérieur du bâtiment et demeurer à l'écart de la zone jusqu'à ce qu'ils soient déclarés sûrs par les pompiers et par votre fournisseur de gaz combustible.
- ENFIN, laisser le technicien en gaz combustible et les pompiers vérifier d'où le gaz s'échappe. Leur demander d'aérer le bâtiment et la zone avant d'y retourner. Un technicien correctement formé doit réparer la fuite, vérifier s'il y a d'autres fuites, puis rallumer la fournaise pour vous.

Dissipation de l'odeur - Aucune odeur détectée

- Certaines personnes ne peuvent pas bien sentir. Certaines personnes peuvent ne pas sentir l'odeur du produit chimique artificiel ajouté au gaz propane ou au gaz naturel. Vous devez déterminer si vous pouvez sentir la substance odorante se trouvant dans ces gaz combustibles.
- Apprendre à reconnaître l'odeur du gaz propane et du gaz naturel. Les revendeurs locaux de gaz propane et votre fournisseur local de gaz naturel (service public) seront plus qu'heureux de vous donner un dépliant « Grattez et sentez ». Utilisez-le pour vous familiariser avec l'odeur de gaz combustible.
- Fumer peut diminuer votre odorat. Être autour d'une odeur pendant une certaine période peut avoir une incidence sur votre sensibilité à cette odeur particulière.
- L'odorant du gaz propane et du gaz naturel est incolore et l'intensité de son odeur peut disparaître dans certaines circonstances.
- S'il y a une fuite souterraine, le mouvement du gaz dans le sol peut filtrer l'odorant.
- À des niveaux différents, l'odeur du gaz propane peut différer en intensité. Puisque le gaz propane est plus lourd que l'air, il peut y avoir plus d'odeurs à des niveaux inférieurs.
- Toujours être sensible à la moindre odeur de gaz. Si vous continuez à détecter une odeur de gaz, et ce, peu importe son importance, traitez-la comme une fuite grave. Passer immédiatement à l'action comme indiqué précédemment.

Attention – Points capitaux à retenir!

- Si vous n'avez pas reçu de formation adéquate en réparation et entretien de fournaies alimentées au gaz propane et au gaz naturel, ne pas tenter d'allumer la fournaie, d'effectuer des réparations ou de faire des ajustements à la fournaie sur un système d'alimentation en gaz propane ou en gaz naturel.
- Même si vous n'êtes pas correctement formé en entretien et réparation d'appareils de chauffage par rayonnement, vous devez TOUJOURS connaître les odeurs de gaz propane et de gaz naturel.
- Un test d'odeur effectué périodiquement autour de la fournaie ou à proximité de ses joints; c.-à-d. le tuyau, les raccords, etc., est une bonne mesure de sécurité à faire en tout temps. Si vous sentez une odeur, et ce peu importe son importance, communiquez IMMÉDIATEMENT AVEC VOTRE FOURNISSEUR DE GAZ COMBUSTIBLE. N'ATTENDEZ PAS!

1. Ne pas tenter d'installer, de réparer ou d'effectuer la maintenance de cette fournaie ou de la conduite d'alimentation en gaz, sauf si vous avez une formation permanente et des connaissances d'experts des fournaies au gaz.

QUALIFICATIONS NÉCESSAIRES POUR PROCÉDER À L'ENTRETIEN ET À L'INSTALLATION :

- a. Pour être un technicien en entretien et en réparation de fournaie au gaz qualifié, vous devez avoir été formé en l'entretien et en réparation de fournaie au gaz, et aussi avoir une expérience suffisante pour vous permettre de résoudre les problèmes, de remplacer des pièces défectueuses et de tester des fournaies afin de les mettre en état de fonctionnement normal et sécuritaire. Vous devez vous familiariser entièrement avec chaque modèle en lisant et en respectant les consignes de sécurité, les étiquettes, le manuel du propriétaire, etc. qui sont fournis avec chaque fournaie.
- b. Pour être un technicien qualifié en installation de fournaie au gaz, vous devez disposer d'une formation et d'une expérience pertinentes pour gérer tous les aspects de l'installation, de la réparation

et de la modification des conduites de gaz, y compris la sélection et l'installation de l'équipement approprié, ainsi que la sélection de la dimension adéquate du tuyau devant être utilisé. Cela doit être fait en conformité avec tous les codes locaux, provinciaux et nationaux ainsi qu'avec les exigences du fabricant.

- c. Dans le Commonwealth du Massachusetts, ce produit doit être installé par un installateur de gaz agréé dans le Commonwealth du Massachusetts.

AVERTISSEMENT **INSTRUCTIONS** **POUR LA MISE À LA TERRE**

Cet appareil est muni d'une fiche à trois broches (mise à la terre) afin de vous protéger des chocs électriques. Cet appareil doit être branché directement dans une prise de courant à trois fentes. À défaut d'utiliser une prise de courant correctement mise à la terre, une décharge électrique, voire la mort, pourrait s'ensuivre.

2. Toutes les installations ou les applications des fournaies de L.B. White Co., doivent répondre aux exigences des codes locaux, provinciaux et nationaux en matière de gaz naturel, de gaz de pétrole liquéfiés, d'électricité et de sécurité. Vos fournisseur de gaz, électricien agréé local, service d'incendie local et organismes gouvernementaux peuvent vous aider à déterminer ces exigences. En l'absence de codes locaux, respecter les conditions suivantes :
 - a. Installations des États-Unis :
 - Norme NFPA 102 en matière de structures d'ensemble de siège, de tentes et de membranes.
 - Dernière révision de la norme ANSI/NFPA 58 en matière de stockage et de manipulation des gaz de pétrole liquéfiés ou
 - Norme ANSI Z223.1/NFPA 54, Code national du gaz combustible
 - Norme ANSI/NFPA 70, Code national de l'électricité.
 - b. Installations du Canada :
 - Normes CAN1-B149.1 ou CAN1-B149.2 du Codes de l'installation
 - Norme CSA C221, Partie 1 du Code canadien de l'électricité.
 - Norme CSA C22.2 n° 3, Caractéristiques électriques des appareils de combustion.
3. Nous ne pouvons pas prévoir chaque utilisation pouvant être faite de nos fournaies. D'autres normes régissent l'utilisation des gaz combustibles et les produits qui produisent de la chaleur dans des appli-

- cations précises. Votre administration locale peut vous conseiller à ce sujet. Pour toutes questions concernant les applications, vérifier avec votre service d'incendie local.
4. Les fournaises à air pulsé ne doivent pas être dirigés à moins de 20 pieds/6,10 mètres d'une bonbonne de gaz propane.
 5. Ne pas laver la fournaise. Utiliser uniquement de l'air comprimé, une brosse à poils souples ou un chiffon sec pour nettoyer l'intérieur de l'appareil et ses composants.
 6. À des fins de sécurité, cette fournaise est équipée d'interrupteurs de température élevée à réinitialisation manuelle et d'un pressostat. Ne jamais faire fonctionner cette fournaise avec un dispositif de sécurité qui a été contourné. Ne pas faire fonctionner cette fournaise à moins que ces caractéristiques soient pleinement opérationnelles.
 7. Ne pas diriger la fournaise vers une bonbonne d'alimentation en gaz propane ou un tuyau de gaz se trouvant à moins de 6 m (20 pi) de la décharge d'air de la fournaise.
 8. Ne pas obstruer les entrées ou sorties d'air d'évacuation de la fournaise. Cela peut entraîner une mauvaise combustion ou endommager les composants de la fournaise se traduisant par des dommages matériels.
 9. L'ensemble de flexibles doit être inspecté visuellement sur une base quotidienne après la relocalisation de la fournaise et lorsque l'appareil est en cours d'utilisation. S'il est évident qu'il y a une abrasion ou une usure excessive, ou si le tuyau est coupé, il doit être remplacé avant que la fournaise ne soit mise en service. L'ensemble de flexibles devra être protégé de la circulation, des matériaux de construction et du contact avec des surfaces chaudes durant l'utilisation et durant l'entreposage. L'ensemble de flexibles de rechange doit être celui précisé par le fabricant. Consulter la liste des pièces.
 10. Dès l'installation de la fournaise, de sa relocalisation ou après son entretien, vérifier la présence de fuites de gaz et le bon fonctionnement lors de l'installation de la fournaise. Se reporter aux directives de vérification de fuites dans la section d'installation du présent manuel.
 11. Avant toute utilisation et au moins une fois par année, cette fournaise doit être inspecté par un technicien qualifié pour en assurer le bon fonctionnement.
 12. Éteignez l'alimentation en gaz de l'appareil de chauffage si l'appareil de chauffage ne sera pas utilisé pour le chauffage de l'espace de travail.
 13. Si le débit de gaz est interrompu et la flamme s'éteint, ne pas rallumer la fournaise jusqu'à être bien sûr que tout le gaz accumulé se soit dissipé. Dans tous les cas, ne pas rallumer la fournaise pendant au moins 5 minutes.
 14. Voir les tableaux à la page 11 pour la taille minimale de la bouteille de gaz propane à utiliser par les appareils de chauffage. Plusieurs cylindres de collecteur peuvent être nécessaires pour assurer un approvisionnement continu en gaz.
 15. Lorsque la fournaise doit être stockée à l'intérieur, la connexion entre la bonbonne d'alimentation en gaz propane et la fournaise doit être débranchée et les bonbonnes enlevées de la fournaise et entreposées conformément à la norme NSI/NFPA 58 en matière de stockage et de manipulation des gaz de pétrole liquéfiés, ainsi que la norme CSA B149.1 du Code d'installation du gaz naturel et du propane, le cas échéant.
 16. La fournaise doit être localisée à au moins 1,83 m (6 pi) aux États-Unis; ou 3 m (10 pi) au Canada, de toute bonbonne de gaz propane.
 17. Les bonbonnes de gaz propane comportent des filetages à gauche. Utiliser le volant de manœuvre fourni avec le régulateur pour établir une connexion avec le raccord Prest-O-Lite du régulateur dans le robinet d'alimentation en gaz des bonbonnes.
 18. Utiliser une pâte à joints qui est approuvée pour une utilisation avec du gaz propane.
 19. Convient à un usage intérieur ou extérieur. Une ventilation adéquate doit être assurée conformément aux normes pertinentes suivantes : OSHA 29 CFR 1926.154, Safety Requirements for Temporary and Portable Space Heating Devices and Equipment (ANSI A10.10); National Fuel Gas Code (ANSI 2223.1 / NFPA 54) Liquefied Petroleum Gas Code (NFPA 58); ou le Code d'installation du gaz naturel et du propane (CAN B149.1). Voir la notice d'instructions pour obtenir de plus amples renseignements.

Instructions générales d'installation



AVERTISSEMENT

Risque de brûlure

Peut causer des dommages matériels, des blessures graves voire mortelles.

1. Pour éviter l'accumulation dangereuse de gaz combustible, couper l'alimentation en gaz du robinet de service de l'appareil avant de commencer l'installation et avant d'effectuer un test de fuite de gaz une fois l'installation terminée.
2. Ne pas forcer le bouton de commande du gaz. Utiliser seulement votre main pour tourner le bouton de commande du gaz. Ne jamais utiliser d'outils. Si le bouton ne peut être activé manuellement, la commande doit être remplacée par un technicien qualifié. Toute force ou tentative de réparation pourrait provoquer un incendie ou une explosion.

1. Lire toutes les précautions de sécurité et suivre les recommandations de L.B. White Co., LLC lors de l'installation de la fournaise. Si pendant l'installation ou la relocalisation de la fournaise vous pensez qu'une pièce s'est endommagée ou qu'elle est défectueuse, appeler un atelier de réparation qualifié pour qu'il effectue une réparation ou un remplacement.
2. Placer l'appareil de façon appropriée avant de l'utiliser sur une surface plane, stable et horizontale avant toute utilisation. Veiller à ce que la fournaise soit de niveau. (Utiliser un niveau, vérifier la longueur et la direction de la largeur). Respecter toutes les distances de sécurité minimales entre la fournaise et les matériaux combustibles les plus proches. Les distances de sécurité sont indiquées sur la plaque signalétique de la fournaise ainsi qu'à la page 4 du présent manuel.
3. Exigences en matière d'installation de gaz de pétrole liquéfiés
 - Toutes les bonbonnes de gaz de pétrole liquéfiés doivent être placées à au moins 1,52 mètre/5 pieds de la structure de la paroi de tente la plus près.
 - S'assurer que toutes les bonbonnes de gaz de pétrole liquéfiés sont sécurisées et protégées contre tous les gens, toute la circulation des véhicules et tous les contacts.
 - Les bonbonnes de gaz propane doivent être situées sur une surface plane, stable et de niveau.
 - Les bonbonnes de gaz de pétrole liquéfiés (c'est-à-dire les réservoirs/bonbonnes de 45 kg/100 lb) doivent être sécurisées en étant renversées.

Communiquer avec les autorités locales, les revendeurs de gaz propane, ou les commissaires des incendies pour en savoir plus concernant l'installation dans votre région

4. Pour utilisation à l'intérieur ou à l'extérieur et est approuvé pour une utilisation avec ou sans réseau de gaines. Pour les installations à l'extérieur, des accessoires supplémentaires sont nécessaires pour correctement fournir de l'air chauffé à l'intérieur. Ces accessoires sont les suivants :

Seuls les conduits et les accessoires de distribution d'air fournis et spécifiés par le fabricant du réchauffeur doivent être utilisés.

Unité de diffusion:

Premier 40: 500-132540

Premier 80: 500-132902

Premier 170: 500-26351

Cet accessoire permet le dégagement nécessaire entre les matériaux combustibles; il est fixé à la sortie du souffleur de la fournaise et distribue l'air à l'intérieur de la tente. Les codes locaux peuvent exiger une séparation de 3,04 m/10 pi entre la tente et la fournaise. Dans ce cas, le diffuseur installé sur l'unité ne doit pas être utilisé.

Trousse de conduite:

Premier 40: 20,3 cm (8 po) x 3,65 m (12 pi), 500-132544

Premier 80/170: 30,5 cm (12 po) x 3,65 m (12 pi),

**500-26346, Gris
500-26347, Blanc**

Cet accessoire permet de placer la fournaise à 3,04 mètres/10 pieds de la tente comme requis par certains codes locaux.

Utiliser seulement un conduit par appareil de chauffage avec ou sans diffuseur d'extrémité.

Diffuseur final:

Premier 40: 500-132541

Premier 80/170: 500-26350

Cet accessoire est utilisé en conjonction avec le kit de canalisation Premier. Il est placé sous le bord de la tente et distribue l'air chauffé à l'intérieur de la tente.

5. Lors de l'utilisation de l'unité de diffusion ou des accessoires de distribution du diffuseur final, allonger les écrans latéraux; assurez-vous que le matériel de la tente retombe à l'intérieur du profil en U des diffuseurs et qu'il est bien fixé.
6. Le régulateur de pression de gaz de la fournaise doit être protégé contre des conditions météorologiques défavorables (pluie, glace, neige), ainsi que des matériaux de construction (goudron, béton, plâtre, etc.) qui peuvent nuire au bon fonctionnement et peuvent entraîner des dommages matériels ou des blessures.

7. Assurez-vous que tous les accessoires expédiés à l'intérieur du radiateur ont été retirés de l'intérieur du radiateur et installés.
8. Toujours vérifier s'il y a des fuites de gaz aux raccords à l'aide de détecteurs de fuites de gaz approuvés. La détection des fuites de gaz est effectuée comme suit:



AVERTISSEMENT

Risque d'incendie et explosion

- Ne pas utiliser de flamme nue (allumettes, torches, bougies, etc.) pour vérifier des fuites de gaz.
- Utiliser des détecteurs de fuites approuvés.
- Le non-respect de cet avertissement peut provoquer des incendies ou des explosions.
- Les incendies et les explosions peuvent causer des dommages matériels, des blessures voire la mort.

- Vérifier toutes les connexions des raccords et des conduites, ainsi que les raccords et les adaptateurs en amont de la commande de gaz au moyen de détecteurs de fuites de gaz approuvés.
 - Si une fuite de gaz est détectée, vérifier la propreté des composants impliqués et l'application adéquate de pâte à joint avant de serrer davantage.
 - Resserrez le raccord de gaz autant que nécessaire pour arrêter la fuite.
 - Après la vérification de toutes les connexions et le colmatage de toute fuite, allumer le brûleur principal.
 - Vous écarter tandis que le brûleur principal s'allume pour prévenir les blessures causées par les fuites cachées, ce qui pourrait entraîner un retour de flamme.
 - Avec le brûleur principal en marche, vérifier toutes les connexions des raccords et des conduites, les joints ainsi que l'entrée du robinet de réglage de gaz et les connexions de sortie au moyen de détecteurs de fuites de gaz approuvés.
 - Si une fuite est détectée, vérifier la propreté des filets et l'application adéquate de pâte à joint avant de serrer davantage.
 - Resserrez le raccord de gaz autant que nécessaire pour arrêter la fuite.
 - Le cas échéant, si la fuite ne peut être arrêtée, remplacer les pièces ou composants en cause.
 - S'assurer que toutes les fuites de gaz ont été identifiées et colmatées avant de poursuivre.
9. Un atelier de réparation qualifié doit vérifier la pression du gaz de fonctionnement adéquate lors de l'installation de l'appareil.
 10. Allumer conformément aux instructions sur la fournaise ou dans le manuel du propriétaire.
 11. Le régulateur de gaz approprié doit être installé pour l'application de la fournaise. Utilisez uniquement le régulateur L.B. White fourni avec la fournaise. Ce régulateur comprend un raccord incorporant un limiteur de débit

Prest-O-Lite. Le limiteur de débit est un dispositif de sécurité qui protège l'appareil contre toute décharge à partir de la bonbonne d'alimentation en gaz propane si le régulateur est brisé. Si le raccord Prest-O-Lite doit être remplacé, il doit être remplacé par un raccord L.B. White Prest-O-Lite. Le non-respect de ces directives peut causer des incendies, des explosions, des pertes matérielles, des blessures voire la mort.

12. Un régulateur doit être connecté à l'alimentation en gaz de sorte que la pression du gaz à l'entrée du robinet de gaz soit en tout temps régulée dans la plage précisée sur la plaque d'identification. Contactez votre fournisseur de gaz ou L.B. White Co., LLC. si vous avez des questions.
13. Ne pas utiliser l'appareil dans un système ou une application de prélèvement de liquide de gaz propane. Si vous avez des doutes, communiquer avec L.B. White Co., LLC.
14. La fournaise doit être installée de façon à ne pas gêner ou entraver les sorties normales, les issues de secours, les portes et les allées.
15. Des garde-corps, des clôtures ou toute substitution des matériaux appropriée doivent être utilisés pour maintenir l'équipement de chauffage à l'écart de toutes les personnes qui utilisent et visitent la structure.
16. L'unité doit être située de telle sorte que la pluie, la glace ou le drainage de la neige à partir de la structure n'a aucune incidence sur le fonctionnement de l'équipement. Si l'unité est installée à l'extérieur, elle doit être installée au-dessus de toute eau stagnante. Si l'appareil doit être installé au sol, il est recommandé d'assurer une tranchée tout autour afin de drainer toute la pluie, la glace ou la neige.
17. Le sol et le terrain environnants doivent être dégagés de toute végétation combustible et de tout autre matériau combustible lorsque l'appareil est installé à l'extérieur.
18. Toute défaillance du thermostat peut entraîner un sous-chauffage. Le thermostat doit être testé pour vous assurer qu'il active et désactive la fournaise selon une différence de température de $\pm 3^\circ\text{F}$ ($\pm 1,5^\circ\text{C}$).
19. Prendre le temps de comprendre comment utiliser et entretenir la fournaise à l'aide de ce mode d'emploi. S'assurer de savoir comment couper l'alimentation en gaz du bâtiment et également celui de la fournaise. Communiquer avec votre fournisseur de gaz combustible pour toute question.
20. Toute défaillance constatée dans l'exécution de l'une des procédures d'entretien ou de maintenance doit être corrigée et les pièces défectueuses doivent immédiatement être remplacées. La fournaise doit être évaluée par un technicien de service dûment qualifié avant de la remettre en utilisation.

Dimensionnement de l'alimentation en gaz propane

La vaporisation du propane est touchée par plusieurs facteurs : la surface de la bonbonne, le niveau de liquide du propane, la température entourant la bonbonne et l'humidité relative. Tous ces facteurs sont précis pour un site. Par conséquent, un seuil d'expérience et de jugement adéquat est nécessaire pour sélectionner l'alimentation en propane appropriée. Bien que l'expérience constitue le meilleur guide, les recommandations suivantes peuvent être utilisées comme point de départ. Le tableau repose sur une expérience dans des climats nordiques, où le froid et l'humidité élevés sont courants en hiver. Si des conditions plus ou moins favorables l'emportent sur un site en particulier, des ajustements peuvent être réalisés en fonction de l'expérience.

Approvisionnement recommandé en gaz propane - Bonbonnes requises par fournaise

Température moyenne (°F / °C)		50/10	40/4,4	30/-1,1	20/-6,7	10/-12,2	0/-17,8
20 lb. / 9 kg	TS040	1	1	1	2*	2*	2*
	CS/TS080	2*	2*	2*	2*	3*	3*
40 lb. / 18 kg	TS040	1	1	1	1	1	2*
	CS/TS080	1	1	1	2*	2*	2*
100 lb. / 45 kg	TS040	1	1	1	1	1	1
	CS/TS080	1	1	1	1	1	1
	CS/TS170	2*	2*	2*	2*	3*	3*

Les exigences en matière de cylindres par réchauffeur sont basées sur la sortie totale de Btu à 70% de consommation de carburant

* Les bouteilles doivent être collectées ensemble pour permettre le retrait simultané de la vapeur de toutes les bouteilles

Durée de fonctionnement en heures

Température moyenne (°F / °C)		50/10	40/4,4	30/-1,1	20/-6,7	10/-12,2	0/-17,8
20 lb. / 9 kg	TS040	8,0	6,0	4,0	13,0**	10,0**	8,0**
	CS/TS080	3,0**	2,5**	2,0**	2,0**	3,0***	2,5***
40 lb. / 18 kg	TS040	18,5	16,0	16,0	12,0	10,0	6,5
	CS/TS080	9,0	8,5	2,0	5,0**	3,0**	2,5**
100 lb. / 45 kg	TS040	50,0	50,0	50,0	45,0	37,0	32,0
	CS/TS080	21,0	19,0	18,0	16,0	13,0	8,0
	CS/TS170	9,0**	8,0**	7,0**	6,0**	8,0***	7,0***

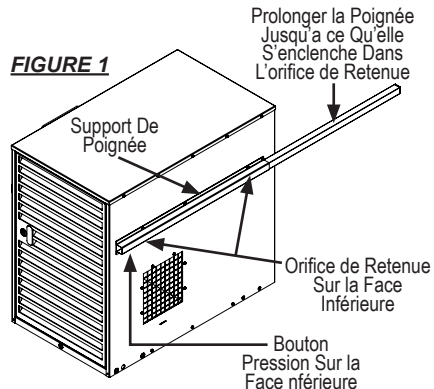
** Collecteur à deux cylindres ensemble

*** Collecteur à trois cylindres ensemble

POIGNÉE COULISSANTE (PREMIER 170)

La fournaise Premier 170 est munie de poignées coulissantes qui sont pratiques pour une mobilité de style "brouette".

- Appuyer sur le bouton pression sur le côté inférieur du support de rangement de la poignée coulissante.
- Déployer complètement les deux poignées jusqu'à ce que le bouton pression se verrouille en place.
- Pour le stockage, appuyer sur le bouton d'arrêt et pousser les poignées en position complètement rétractée.

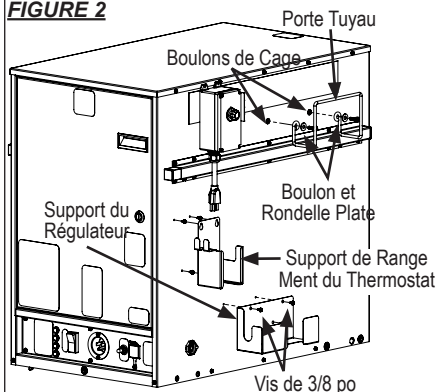


Support de thermostat, support de flexible, support de régulateur

1. Support de rangement pour thermostat

- Vissez les quatre vis à tête hexagonale de 3/8 po aux quatre tuyaux à l'arrière du boîtier du radiateur. **NE SERREZ PAS** les vis pour le moment. Voir Fig.2, Premier 170 illustré.
- Faire glisser les quatre trous de serrure des brides du support de thermostat sur les quatre vis de montage. Serrez fermement les vis avec un tournevis de 1/4 po à travers les trous d'accès du support. Voir Fig. 2. Premier 170 illustré.

FIGURE 2



- Ranger le thermostat dans le support lorsqu'il n'est pas en cours d'utilisation.

Thermostat

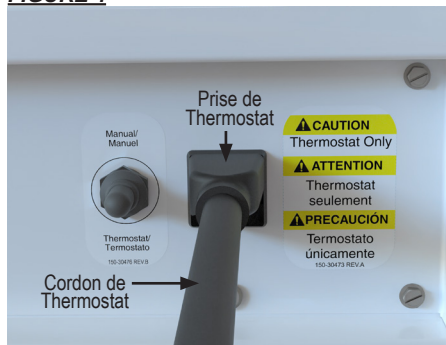
Si le thermostat n'est pas nécessaire, sélectionner le réglage manuel sur le commutateur du thermostat. Consulter la Figure 3.

FIGURE 3



Lorsqu'un thermostat est requis, soulever le couvercle de sortie du thermostat et brancher le cordon du thermostat dans la prise du thermostat. Utilisez **UNIQUEMENT** un cordon de thermostat L.B. White avec fiche. N'utilisez pas de fiche de thermostat en ligne lorsque vous la branchez sur la prise de sortie du thermostat. Sélectionnez le réglage du thermostat sur l'interrupteur. Voir Fig.4.

FIGURE 4



* **TOUJOURS** couvrir la prise du thermostat lorsqu'elle n'est pas utilisée.

* **NE PAS** brancher d'appareil dans la prise du thermostat.

* **NE** branchez **PAS** le cordon du thermostat dans une prise de courant.

Connexion du détendeur et du tuyau de gaz

- Utiliser uniquement le régulateur L.B. White fourni avec la fournaise.

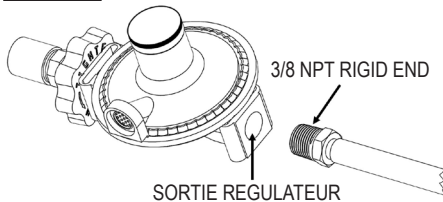
Utiliser une pâte à joints qui est approuvée pour une utilisation avec du gaz propane sur toutes les connexions filetées.

- Pour en assurer le bon fonctionnement, la fournaise doit être réglée en tout temps.
- Après la connexion à l'alimentation en gaz, vérifier toutes les connexions du régulateur pour déceler la présence de fuite.

1. Vissez l'extrémité crête mâle 3/8 NPT du tuyau à la sortie du régulateur, serrez fermement. Voir Fig. 6.

Réchauffeurs de gaz propane Premier Standard (TS040 / 080/170)

FIGURE 6



2. Retirez le capuchon en plastique du raccord POL. (Ne jetez pas le capuchon).

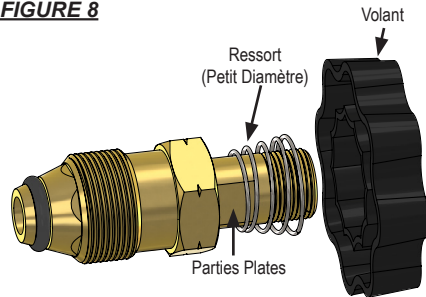
Réchauffeurs Premier Fuel Dual (CS080 / 170)

- Le régulateur fourni avec les réchauffeurs mixtes convient au propane ou au gaz naturel.
- Utilisez un composé à joint de tuyau résistant au propane et au gaz naturel à tous les raccords filetés.

Lorsque vous utilisez du gaz propane comme carburant:

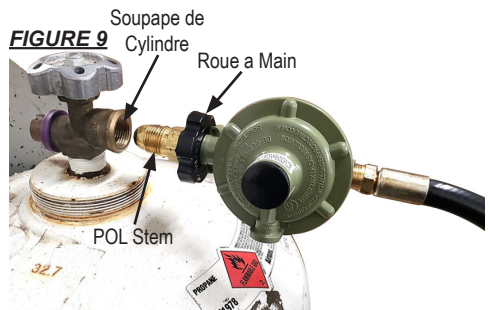
1. Retirez le capuchon en plastique du raccord POL. (Le raccord POL est situé dans le sac de quincaillerie. Ne jetez pas le capuchon).
2. Faites glisser le ressort sur la tige POL. L'extrémité de plus petit diamètre du ressort est vers l'écrou en laiton du POL. Voir Fig. 8. Faites glisser le côté ouvert du volant sur la tige POL. Vissez l'ensemble dans l'entrée 1/4 po de la bague dans le régulateur. Serrez fermement à l'aide d'une clé sur les méplats de la tige POL. Voir Fig.8.

FIGURE 8



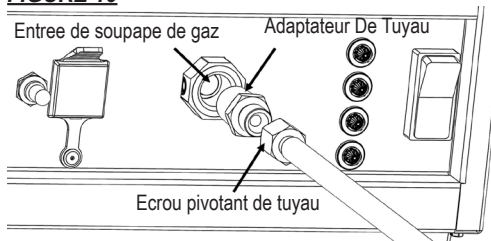
Connexion du régulateur à l'alimentation en gaz

1. Insérez la tige POL dans la valve du cylindre. Poussez le volant à ressort contre l'écrou fileté. Tournez le volant dans le sens antihoraire pour visser l'écrou POL dans la valve de la bouteille de propane. Serrez fermement. Voir FIG. 9.



2. Installez l'adaptateur de tuyau 1/2» NPT à l'entrée de la soupape de gaz. Voir Fig. 10 (Premier 40 illustré)

FIGURE 10



3. Fixez l'écrou pivotant du tuyau à l'adaptateur de tuyau. Voir. Fig. 10.
4. Ouvrir lentement le robinet de la bonbonne. Cela permettra d'éviter le verrouillage du limiteur de débit intégré au sein de la tige Prest-O-Lite. Vérifier la présence de fuites; corriger au besoin.
5. Lors du rangement ou du transport de la fournaise, utiliser le bouchon de protection pour assurer que le raccord Prest-O-Lite est protégé contre les dommages et l'admission de saleté.

Lors de l'utilisation du gaz naturel comme carburant:

- Le régulateur fourni avec le chauffe-eau double est requis pour une utilisation avec du gaz naturel si la pression d'alimentation en gaz naturel du chauffe-eau est supérieure à la pression d'entrée maximale de 13,5 po. WC / 3,36 kPa, comme indiqué sur la plaque signalétique du chauffe-eau et dans ce manuel du propriétaire.
- Le régulateur nécessite une pression d'alimentation en gaz naturel qui fournira la pression d'entrée à la soupape de gaz du réchauffeur comme indiqué sur la plaque signalétique du réchauffeur et dans ce manuel du propriétaire.
- Si le raccord POL et le flexible sont fixés au régulateur, retirez-les du régulateur.
- Raccordez la sortie du régulateur directement à l'entrée du réchauffeur à l'aide d'un raccord court (non fourni).
- Connectez le régulateur à la conduite d'alimentation en gaz naturel en utilisant les connexions appropriées.

Instructions de démarrage

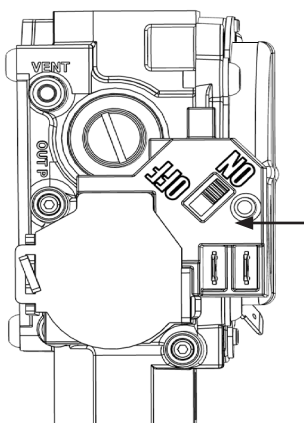
Suivez les étapes 1 à 4, pour le démarrage initial après l'installation de la fournaise.

1. Cet appareil est muni d'une fiche avec mise à la terre afin de vous protéger des décharges électriques. La fournaise doit être connectée directement à une alimentation électrique mise à la terre.

A. Mode de fonctionnement de la fournaise

- a. Ouvrir toutes les vannes manuelles d'approvisionnement en carburant. Vérifier s'il y a des fuites de gaz à l'aide de détecteurs de fuites approuvés. Le robinet de réglage du gaz de la fournaise comporte une fonction d'arrêt manuel intégrée dans l'ensemble du robinet. Veiller à ce que l'indicateur du robinet soit positionné en position de marche. Consulter la Figure 11.

FIGURE 11



- b. Placer le sélecteur en position de la chaleur. Consulter la Figure 12.

FIGURE 12

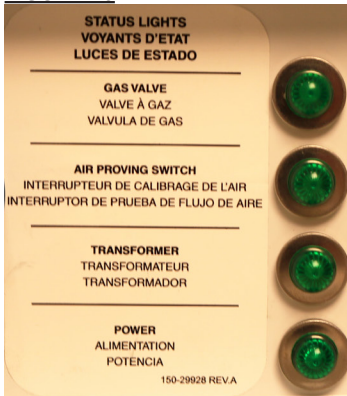


- c. Régler le thermostat à la température ambiante souhaitée.
- Le moteur du ventilateur démarre
 - L'allumeur produira une étincelle
 - L'allumage se produit.
- d. Le thermostat de la fournaise alterne entre marche et arrêt en fonction du point de consigne.

(Il est normal que l'air soit emprisonné dans le tuyau de gaz dans de nouvelles installations. La fournaise peut tenter plus d'un essai d'allumage avant que l'air soit purgé de la conduite et que l'allumage ait lieu.)

Lorsque le commutateur est réglé à chaleur, quatre témoins d'état (consulter la Figure 13) seront activés en séquence tandis que des circuits précis sont vérifiés par la commande d'allumage. Si la fournaise ne s'allume pas et que le voyant d'état est inactif, consulter l'étiquette de dépannage se trouvant à l'extérieur du châssis de la fournaise ou la section de dépannage du manuel. Consulter la Figure 13.

FIGURE 13



B. Mode de fonctionnement de l'évent

- Placer le sélecteur en position d'arrêt, **O**, puis à ventilation
- Seul le moteur du ventilateur fonctionnera. L'allumeur ne produira pas d'étincelle et aucune inflammation ne se produit.

La fonction de ventilation est utilisée lorsque la circulation d'air est nécessaire. La fournaise n'effectuera aucun cycle de réglage de son thermostat.

C. Arrêt O

1. Placer l'interrupteur au point médian O.
2. **Ne pas dépasser la consommation thermique apposée sur la plaque signalétique ou la pression de l'orifice du brûleur recommandée par le fabricant en fonction des tailles d'orifices utilisés. Pour assurer une bonne combustion, s'assurer que l'alimentation principale en air du brûleur principal est ouverte et exempte de poussière, de saleté et de débris.**

Instructions d'arrêt

Pour un arrêt normal, régler le thermostat sous la température ambiante. Lors de l'entretien ou de la maintenance, suivre les étapes 1 à 5.

1. Fermer le robinet d'alimentation en carburant.
2. Laisser la fournaise brûler tout le gaz de carburant restant dans la conduite d'alimentation.
3. Régler le thermostat en position d'arrêt ou à « sans chaleur »
4. Placer le sélecteur de position O (arrêt).
5. Débrancher la fournaise de l'alimentation électrique de l'alimentation en gaz.

Modèles de soupape de sélection de gaz à double carburant (DF)

Ce réchauffeur est expédié de l'usine avec le sélecteur de carburant en position propane (LP). Assurez-vous que la poignée de la soupape de sélection de carburant est correctement positionnée pour le carburant utilisé.

1. Cette fonction permet au réchauffeur de fonctionner au propane ou au gaz naturel sans changer l'orifice du brûleur. La soupape de sélection de gaz est située entre la soupape de commande de gaz et le brûleur. CE N'EST PAS UNE VANNE D'ARRÊT MANUELLE.
2. Reportez-vous aux Figs. 14 et 15 pour la poignée de soupape correctement positionnée pour le gaz spécifique utilisé (Premier 170 DF illustré). Mêmes positions de poignée pour Premier 80 DF).
3. La poignée doit être complètement réglée à 90 degrés par rapport au débit de gaz (gaz propane) ou parallèle au débit de gaz (gaz naturel) pour un fonctionnement correct. Reportez-vous également à l'autocollant situé sur la base du radiateur, à côté de la vanne de sélection.

FIGURE 14.

Position du gaz propane, Premier 170 illustré

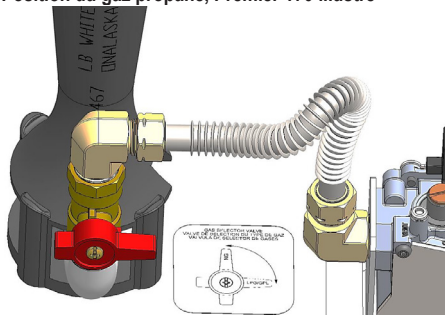
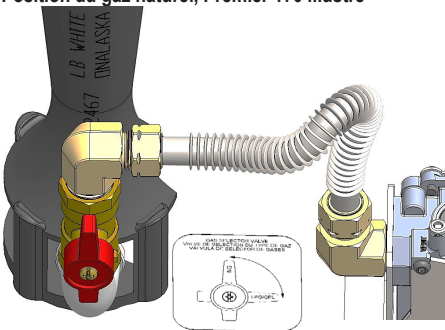
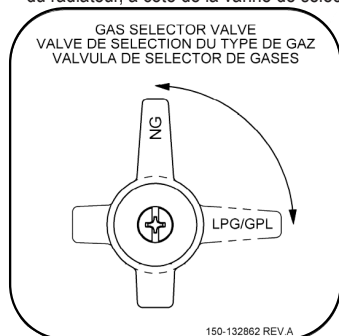


FIGURE 15

Position du gaz naturel, Premier 170 illustré



NE PAS faire fonctionner l'appareil de chauffage avec la poignée de la vanne de sélection réglée entre l'une ou l'autre position, sinon un mauvais fonctionnement se produira.



Instructions de nettoyage



AVERTISSEMENT

Danger d'incendie, de brûlure et d'explosion

- Cette fournaise contient des composants électriques et mécaniques dans les systèmes de gestion du gaz, de la sécurité et de la circulation de l'air.
- Ces composants peuvent devenir inopérants ou défaillir à cause de la poussière, la saleté, l'usure, le vieillissement ou l'atmosphère corrosive d'un bâtiment de confinement des animaux.
- Un nettoyage et une inspection périodiques ainsi que l'entretien adéquat sont essentiels pour éviter les blessures ou les dommages graves.

1. Avant le nettoyage, fermer tous les robinets d'alimentation en gaz et débrancher l'alimentation électrique.
2. Toute saleté ou poussière doit périodiquement être enlevée de la fournaise :

- a. Avant chaque utilisation, nettoyer de façon globale le boîtier et les composants internes de la fournaise à l'aide d'air comprimé, d'une brosse douce ou d'un chiffon sec. À cette étape, dépoussiérer le boîtier du moteur pour éviter qu'il ne surchauffe.
- b. Au moins une fois par an, nettoyer la fournaise en profondeur. À cette étape, retirer l'ensemble du ventilateur et du moteur et brosser ou souffler sur l'ensemble des pales du ventilateur. S'assurer en outre que les ports d'entrée d'air du brûleur et le boîtier interne sont libres d'accumulation de poussière.



AVERTISSEMENT

Ne pas utiliser un nettoyeur haute pression, d'eau ou une solution de nettoyage liquide sur les commandes de gaz. L'utilisation d'un nettoyeur haute pression, d'eau, ou d'une solution de nettoyage liquide sur les composants de contrôle peut entraîner des blessures graves ou des dégâts matériels provoqués par l'eau et/ou les liquides :

- Dans les composants électriques et les fils provoquant une décharge électrique ou une défaillance de l'équipement.
- Sur les robinets de gaz provoquant de la corrosion qui peuvent entraîner des fuites de gaz se traduisant par un incendie ou une explosion.

Nettoyer tous les composants de la fournaise avec de l'air pressurisé, un pinceau sec, ou un chiffon sec.

Instructions de maintenance

AVANT CHAQUE UTILISATION :

- Vérifier que la zone entourant la fournaise est dégagée et libre de matériaux combustibles, d'essence et d'autres vapeurs et liquides inflammables.
- Lors de l'installation, il est nécessaire de s'assurer qu'il existe suffisamment d'air de combustion et que le débit d'air de ventilation n'est pas obstrué.
- Demander à votre fournisseur de gaz de vérifier toutes les conduites de gaz afin d'y déceler des fuites ou des restrictions.
- Inspecter le régulateur de ventilation pour vous assurer que l'évent du régulateur n'est pas bloqué. Les débris, les insectes, les nids d'insectes, la neige ou la glace sur un régulateur peuvent bloquer les ouvertures et provoquer une pression excessive sur la fournaise.
- Vérifier toutes les bornes de câblage et les composants électriques associés à l'intérieur de la fournaise afin de déceler tout signe de corrosion, d'isolation effilochée ou coupée, d'assurer que les raccords sont bien serrés, etc. Réparer ou remplacer si nécessaire.
- Vérifier l'ensemble de tuyaux après l'installation ou la réinstallation de la fournaise, et lorsqu'elle est en cours d'utilisation. S'il est évident qu'il y a une abrasion ou une usure excessive, ou si le tuyau est coupé, il doit être remplacé avant que la fournaise ne soit mise en service.
- Passer en revue toutes les marques de la fournaise (par exemple schéma de câblage, avertissements, démarrage, arrêt, dépannage, etc.) au moment de l'entretien pour en assurer la lisibilité. S'assurer qu'aucune n'est coupée, déchirée ou endommagée. Toute inscription endommagée doit être immédiatement remplacée en communiquant avec L.B. White Co., LLC. La plaque de données, les instructions de démarrage et d'arrêt et les autocollants d'avertissement sont disponibles comme pièces de remplacement.

ANNUELLEMENT :

- Nettoyer et vérifier l'allumeur afin de déceler toute fissure. Remplacer le cas échéant.
- Les régulateurs peuvent s'user et fonctionner incorrectement. Demandez à votre fournisseur de gaz de vérifier les régulateurs de pression de sortie pour vous assurer qu'ils sont ajustés correctement.
- Testez les deux interrupteurs de limite supérieure, le cas échéant, pour assurer un bon fonctionnement. Voir les instructions d'entretien dans ce manuel du propriétaire.

Instructions d'entretien courant

AVERTISSEMENT Risque de brûlure

- Les surfaces de la fournaise sont chaudes pendant une certaine période après l'arrêt de la fournaise.
- Laisser la fournaise refroidir l'appareil avant d'en effectuer le service courant, la maintenance ou le nettoyage.
- Le non-respect de cet avertissement pourrait entraîner des brûlures.

AVERTISSEMENT Risque d'incendie et explosion

- Ne pas démonter ou tenter de réparer les composants de la fournaise ou les composants du terminal de gaz comme les robinets ou les tuyaux de gaz.
- Tous les composants doivent être remplacés si des défauts sont constatés.
- Le non-respect de cet avertissement peut causer un incendie ou une explosion, causant des dommages matériels, des blessures voire la mort.

1. Fermer le robinet d'alimentation en carburant de la fournaise et débrancher l'alimentation électrique avant d'effectuer l'entretien, à moins que cela ne soit requis pour votre procédure de service.
2. Nettoyer l'orifice de la fournaise avec de l'air comprimé ou un chiffon doux et sec. Ne pas utiliser des limes, des perceuses, des broches, etc., pour nettoyer l'orifice. Cela agrandirait le trou, provoquant des problèmes de combustion ou d'allumage. Remplacer l'orifice s'il ne peut pas être correctement nettoyé.
3. L'interrupteur de température élevée peut être testé en :
 - Débranchant les câbles au niveau du composant, et pontant les fils.
 - Rebranchant l'alimentation électrique et en ouvrant les robinets d'alimentation en carburant.
 - Si la fournaise s'allume, le composant est défectueux et doit être remplacé.
 - Ne pas laisser le cavalier activé ou faire fonctionner la fournaise si la pièce est défectueuse. Remplacer la pièce immédiatement.
 - Une autre méthode de vérification des composants consiste à effectuer un contrôle de continuité.
4. Le pressostat ne doit pas être ponté. S'il est ponté, la commande d'allumage ne permettra pas le

fonctionnement de la fournaise. Tester la continuité du pressostat. Le remplacer s'il est défectueux.

5. Ouvrir le panneau du boîtier avant pour accéder aux composants intérieurs de la fournaise.
6. Débrancher les fils électriques appropriés lors du remplacement des composants.
7. Pour le remontage, inverser la procédure respective. S'assurer que les raccords de gaz sont bien serrés et qu'il n'y a aucune fuite.
8. Après l'entretien, démarrer la fournaise pour en assurer un bon fonctionnement.

Assemblage du moteur et du ventilateur

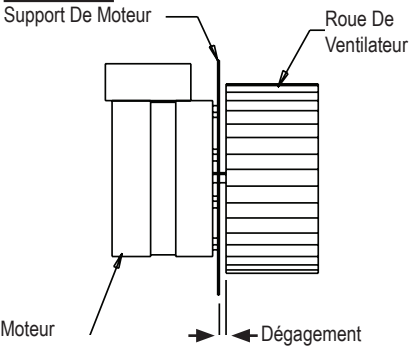
Premier 40

- Retirez les 8 vis situées sur la face inférieure de la base; 4 de chaque côté long du radiateur. Écartez les côtés inférieurs vers le haut et soulevez pour dégager les composants internes.

Premier 80/170

- Ouvrez le panneau d'accès à persiennes opposé à l'extrémité du brûleur du radiateur.

1. Débranchez les fils du moteur.
2. Retirez les 4 vis fixant la plaque de montage du moteur au boîtier.
3. Retirez l'ensemble moteur et ventilateur du boîtier.
4. Desserrez les vis de réglage sur la roue du ventilateur et tirez la roue du ventilateur de l'arbre du moteur.
5. Retirez les quatre écrous fixant le moteur à la plaque de montage.

FIGURE 16

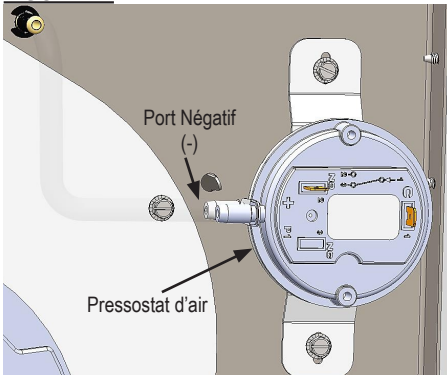
Premier 40/80 - 4,7 mm / 3/16 po
Premier 170 - 3,2 mm / 1/8 po

Pressostat d'air

Le pressostat d'air est situé sur le boîtier d'air froid à l'intérieur de la fournaise. Il doit fonctionner adéquatement pour permettre le cycle d'allumage. L'allumage ne se produira pas si les contacts du pressostat d'air sont fermés avant que la commande d'allumage ne démarre le moteur du ventilateur, ou qu'ils ne se ferment pas lors d'un appel de chaleur après le démarrage du moteur du ventilateur. Consulter la Figure 17.

Pour effectuer l'entretien courant :

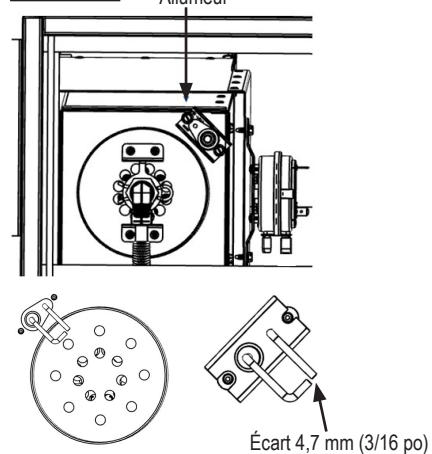
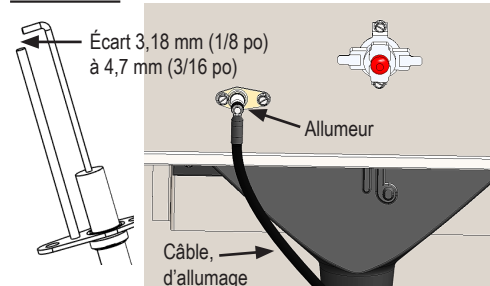
- Débrancher les 2 fils attachés à l'interrupteur. Débrancher la conduite de pression d'air attachée au port (NEG). Retirer les 2 vis retenant l'interrupteur du boîtier d'air froid.
- Réassembler en inversant les étapes précédentes.

FIGURE 17

Ensemble allumeur/capteur de flamme

La conception de l'allumeur est à détection locale, ce qui signifie qu'elle sert également à détecter la flamme de brûleur. Pour l'emplacement de l'allumeur / capteur de flamme, voir FIG.18 pour Premier 40 et FIG. 19 pour Premier 80/170.

1. Déconnecter la câble haute tension de l'ensemble de l'allumeur.
 2. Retirer les deux vis de fixation de l'assemblage de l'allumeur du brûleur.
- L'allumeur et la tige de mise à la terre doivent être nettoyés pour assurer un allumage adéquat.
 - Utiliser une laine d'acier ou une toile d'émeri.
 - Frotter énergiquement pour enlever l'accumulation de poussière, de saleté et d'oxyde.
 - Vérifier la base en céramique de l'allumeur pour y déceler des fissures. -- Remplacer l'allumeur si vous y trouvez des fissures.

FIGURE 18**FIGURE 19**

Interrupteur de température élevée à réinitialisation manuelle



AVERTISSEMENT Risque d'incendie

- Ne pas faire fonctionner la fournaise si l'interrupteur de température élevée est contourné.
- Faire fonctionner une fournaise avec un interrupteur de température élevée contourné peut conduire à une surchauffe, ce qui peut causer un incendie, des dommages subséquents à la fournaise ou au bâtiment.

Premier 40 est équipée d'un interrupteur de température élevée, située directement sous le brûleur sous le côté inférieur de la chambre de chaleur.

Premier 80/170 possède deux interrupteurs de fin de course, l'un à l'intérieur de l'extrémité de porte pleine de la chambre de chauffage, l'autre à l'intérieur de l'extrémité de porte à persiennes montée sur le panneau latéral du boîtier du ventilateur.

Les interrupteurs de limite supérieure peuvent être facilement identifiés par un bouton de réinitialisation rouge au centre de l'interrupteur Voir FIG. 20 et 21, Premier 170 illustré.

FIGURE 20

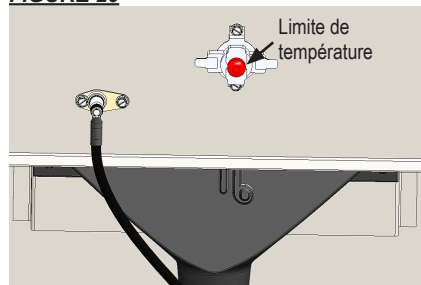
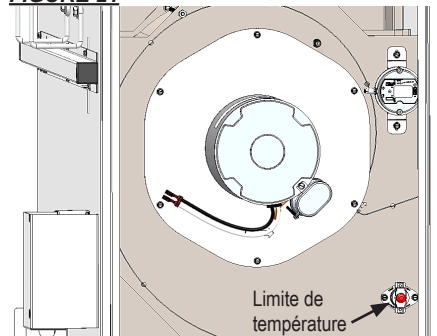


FIGURE 21



Fonction

Si la fournaise surchauffe, l'interrupteur de température élevée peut se déclencher, ouvrant ainsi le circuit électrique du robinet de commande de gaz. Une surchauffe est généralement causée par des restrictions du conduit, une basse tension, un blocage de l'entrée d'air de la fournaise ou une pression de gaz excessive.

Réinitialisation

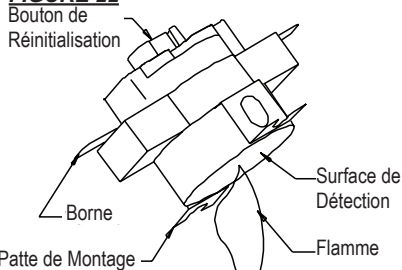
Si l'interrupteur de température élevée se déclenche, retirer le bouchon rouge et appuyer fermement sur le bouton de réinitialisation se trouvant au milieu de l'interrupteur. Arrêter ensuite la fournaise et la rallumer. Déterminer la cause du déclenchement de l'interrupteur de température élevée.

Essai

Pour assurer le bon fonctionnement de ce composant de sécurité crucial, l'interrupteur doit être testé chaque année, généralement lorsque la fournaise est nettoyée en profondeur.

1. Retirer l'interrupteur de température élevée de la fournaise.
2. À l'aide d'une paire de pinces et en maintenant l'interrupteur par une de ses pattes de montage, appliquer une petite flamme uniquement dans la partie de détection à l'arrière de l'interrupteur. Consulter la Figure 16. Veiller à ne pas faire fondre le boîtier en plastique de l'interrupteur lors de cet essai.
3. En une minute, vous devriez entendre un clic provenant de l'interrupteur, ce qui indique que les contacts de l'interrupteur se sont ouverts.
4. Laisser l'interrupteur refroidir pendant environ une minute. Retirer le bouchon rouge et appuyer fermement sur le bouton de réinitialisation du commutateur.
5. Vérifier la continuité électrique entre les bornes de l'interrupteur pour vous assurer que les contacts sont fermés. Installer le bouchon rouge; le réinstaller dans la fournaise et connecter les fils aux bornes.

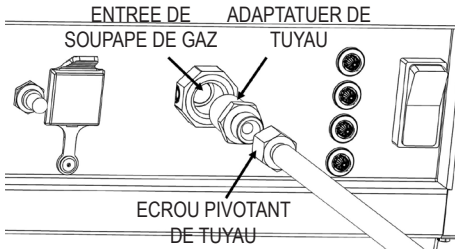
FIGURE 22



Robinet de réglage du gaz

1. Débrancher la fournaise de l'alimentation électrique.
2. Retirez le tuyau d'alimentation en gaz et l'adaptateur de tuyau de l'entrée de gaz du chauffage. Voir FIG. 23.

FIGURE 23



3. Ouvrir la porte pour accéder aux composants.
4. Retirer les fils brun et vert connectés dans le haut du robinet des gaz.
5. Débrancher l'écrou de compression en laiton fixant la conduite de gaz flexible en acier inoxydable à la sortie de la vanne de gaz.

Premier 40

- Retirez les 4 vis fixant le support du robinet de gaz à la base du réchauffeur.

Premier 80/170

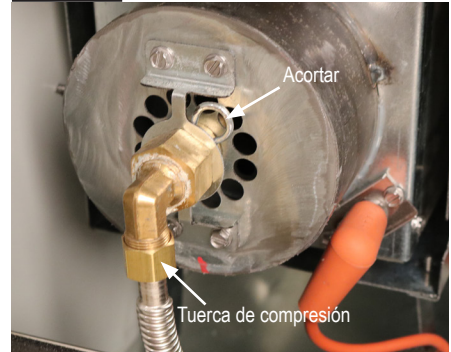
- Retirez les 2 vis fixant le support d'entrée du robinet de gaz.
6. Retirez le robinet de gaz du chauffage.

Orifice du brûleur

Premier 40

1. Retirez l'écrou de compression en laiton du coude du support d'orifice.
2. Retirez l'attache en épingle à cheveux fixant le support d'orifice au support du brûleur. Voir Fig. 24.
3. Retirez l'ensemble d'orifice.

FIGURE 24

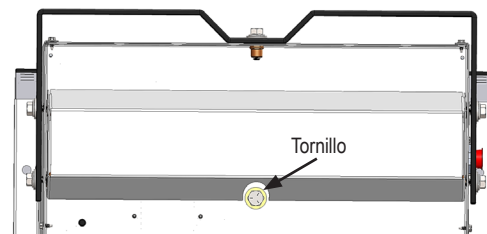


Premier 80/170

1. Retirez l'écrou de compression en laiton fixant la conduite de gaz flexible en acier inoxydable au coude du support d'orifice.
2. Retirez le boulon sous la base fixant le support d'orifice et la pièce moulée du brûleur à la base. Voir Fig.25, Premier 170 DF illustré.

FIGURE 25

Vue de dessous du radiateur



3. Retirez l'ensemble d'orifice.

Commande de l'allumage

La commande envoie et reçoit des tensions pour faire fonctionner ou pour vérifier le fonctionnement des composants. Se reporter à ce qui suit ainsi qu'à la Figure 26 pour comprendre les indicatifs de borne de la commande d'allumage afin de procéder à vérifications de tension sur la commande.

L1 : Tension de l'alimentation principale de la commande.

IND : Tension de l'alimentation principale de la commande au moteur. **LED** : Non utilisé

MV : 24 V c.a de la commande d'allumage par l'entremise de l'interrupteur de température élevée, puis au robinet de commande du gaz.

PS2 : 24 V c.a de l'interrupteur de vérification d'air à la commande d'allumage.

PS1 : 24 V c.a de la commande d'allumage à l'interrupteur de vérification d'air.

W : 24 V c.a du transformateur à la commande d'allumage. (sans cette tension du transformateur, la commande d'allumage ne fonctionne pas.

FS : Aucune borne.

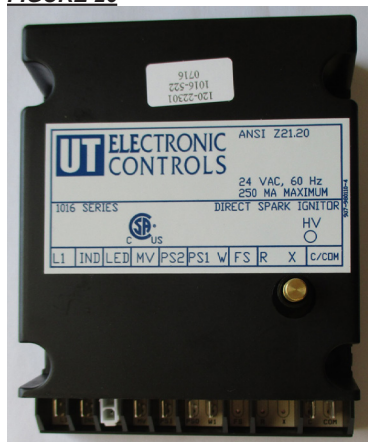
R : Aucune borne.

X : Aucune borne

C/COM : Mise à la terre pour le transformateur et la commande d'allumage.

Le cas échéant, se référer également à la rubrique « Séquence d'opération » du présent manuel pour comprendre le fonctionnement de la commande d'allumage lors d'un appel de chaleur.

FIGURE 26

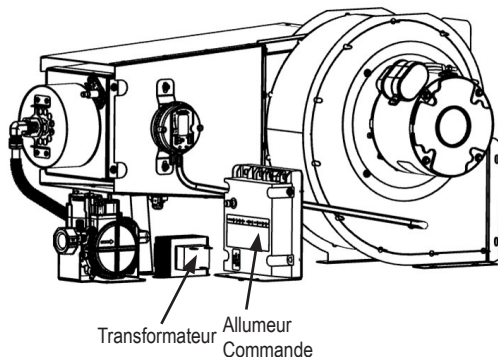


Transformateur

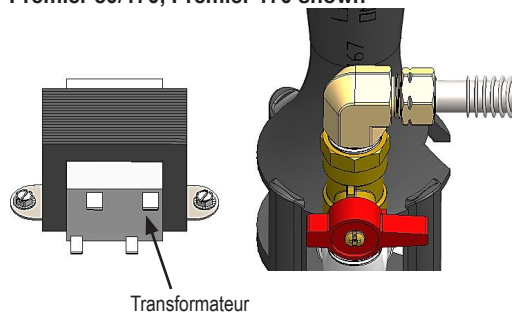
Le transformateur réduit la tension d'alimentation principale à 24 V c.a pour le fonctionnement de la commande d'allumage.

Sans 24 V c.a du transformateur, la commande d'allumage et la fournaise ne fonctionneront pas.

Premier 40



Premier 80/170, Premier 170 shown



Vérifications de la pression du gaz

⚠ AVERTISSEMENT

- Ne pas démonter le robinet de réglage du gaz.
- Ne pas essayer de remplacer les composants du robinet de réglage du gaz.
- Le robinet de réglage du gaz doit être remplacé en cas de dommage physique se produisant à l'ensemble du robinet.
- Le non-respect de cet avertissement peut se traduire par un incendie ou une explosion, ce qui peut entraîner des blessures voir la mort d'êtres humains ainsi que des dommages matériels.

- Ce qui suit explique une procédure type à suivre pour contrôler les pressions de gaz.
- Les pressions de gaz varieront en fonction du type de carburant.
- Consulter la plaque signalétique sur la fournaise ou la page 4 du présent manuel pour connaître les pressions précises devant être utilisées en plus de cette procédure.
- La pression de gaz mesurée à l'entrée du robinet de gaz correspond à la pression d'arrivée et la pression de gaz mesurée à la sortie du robinet de gaz correspond à la pression d'admission du brûleur.

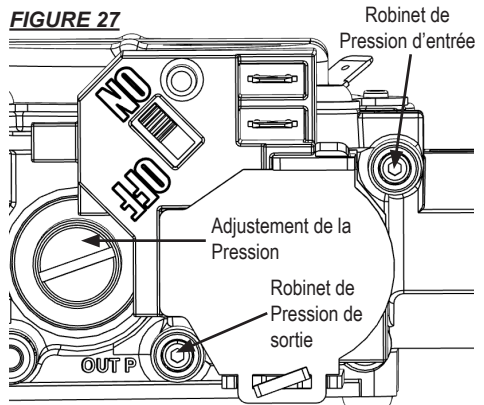
A. Préparation

1. Obtenir deux manomètres capables de lire jusqu'à 35 po de colonne d'eau
2. Débrancher l'alimentation électrique de la fournaise et fermer le robinet d'alimentation en carburant à l'entrée de la fournaise.
3. Ouvrir le panneau d'accès du brûleur.
4. Brosser ou enlever toute poussière et saleté sur le robinet de réglage du gaz ou à proximité de celui-ci.

B. Installation du manomètre

1. Repérer les robinets de pression d'entrée et de sortie, voir la Figure 27. Desserrez la vis de prise de pression à l'aide d'une clé Allen 3/32.

FIGURE 27



2. Connecter en toute sécurité un manomètre à chaque robinet de pression.
3. Ouvrir les robinets d'alimentation en carburant de la fournaise et rebrancher l'alimentation électrique de la fournaise.
4. Démarrer la fournaise

C. Lectures de la pression

1. Alors que la fournaise est en marche, les manomètres doivent lire les pressions précisées sur la plaque signalétique.
2. Est-ce que les lectures aux manomètres d'entrée et de sortie correspondent à celles spécifiées sur la plaque signalétique? Si la réponse est positive, aucune autre vérification ou aucun autre réglage n'est nécessaire. Passer à la section D.
3. Si les pressions d'entrée ne correspondent pas à celle indiquée sur la plaque signalétique, la pression de gaz du régulateur contrôlant la fournaise nécessite un ajustement.
4. Si les pressions d'entrée sont adéquates et que la pression d'admission du brûleur ne convient pas à ce qui est précisé sur la plaque signalétique, cela signifie que le régulateur de pression interne du robinet de réglage du gaz nécessite un ajustement. Consulter la Figure 21 pour connaître l'emplacement du régulateur.
5. Retirez la vis d'assemblage du robinet de pression du régulateur et ajustez la vis interne pour augmenter (dans le sens horaire) ou diminuer (dans le sens antihoraire) la pression à la pression souhaitée.

6. Remettez en place le capuchon du régulateur sur la soupape de gaz. Serrez fermement.

D. Achèvement

1. Une fois les pressions d'entrée et d'admission au brûleur appropriées confirmées ou correctement configurées, fermer le robinet d'alimentation en carburant de la fournaise et laisser la fournaise brûler tout le gaz restant dans la conduite d'alimentation.
2. Débrancher la fournaise de l'alimentation électrique.
3. Retirer les manomètres et les tuyaux de raccordement.
4. Serrez fermement la vis de prise de pression. Vérifier s'il y a des fuites de gaz.

Guide de dépannage

LIRE L'INTÉGRALITÉ DE CETTE SECTION AVANT DE COMMENCER À RÉSOUDRE LES PROBLÈMES.



AVERTISSEMENT

- Cette fournaise peut se mettre en marche à tout moment.
- Le dépannage de ce système peut exiger d'utiliser l'appareil alors qu'une tension secteur est présente et que le gaz est ouvert. Faire preuve d'une extrême prudence lorsque vous travaillez sur la fournaise.
- Le non-respect de cet avertissement peut entraîner des dommages matériels, des blessures voire la mort.

Le guide de dépannage suivant fournit des procédures systématiques pour isoler les problèmes d'équipement. Ce guide est destiné à être utilisé par un **TECHNICIEN QUALIFIÉ EN FOURNAISE ALIMENTÉE AU GAZ. NE PAS TENTER D'EFFECTUER L'ENTRETIEN OU LA RÉPARATION DE CES FOURNAISES À MOINS D'AVOIR ÉTÉ ADÉQUATEMENT FORMÉ.**

ÉQUIPEMENT DE TEST OBLIGATOIRE

Les pièces d'équipement d'essai suivantes seront nécessaires pour résoudre les problèmes de ce système avec un minimum de temps et d'efforts.

- Multimètre numérique – pour mesurer la tension et la résistance en courant alternatif (c.a.) et en courant continu (c.c.).
- Jauge de basse pression – pour vérifier les pressions d'entrée et de sortie de la vanne de commande de gaz en fonction des données figurant sur la plaque signalétique.
- Visuellement inspecter l'équipement pour y déceler tout dommage apparent.
- Vérifier l'intégralité du câblage pour y déceler toute connexion desserrée et toute isolation usée.

Reportez-vous à la séquence de fonctionnement du système dans cette section afin de mieux comprendre la façon dont fonctionne la fournaise lors d'un appel de chaleur. Il importe de comprendre la séquence de fonctionnement puisqu'elle se rapporte à la résolution de problèmes.

Quatre témoins verts sont situés à côté du commutateur. Chaque voyant sera activé en séquence tandis que le circuit dans la fournaise est contrôlé par le commande d'allumage. Si le circuit n'est pas vérifié, le témoin respectif ne s'activera pas. Les problèmes de mode de chauffage les plus courants sont identifiés par un témoin vert étant en mode d'arrêt si une défaillance particulière se produit. Cependant, deux autres problèmes peuvent également survenir. Voir ci-après.

Identifier le problème spécifique, puis se reporter à l'organigramme de dépannage approprié.

Problèmes de mode de la fournaisePage

Voyant d'état d'alimentation inactif..... 27

Voyant d'état du transformateur inactif..... 27

Voyant d'état de vérification d'air inactif 28

Voyant d'état de réglage de gaz inactif..... 29

Tous les témoins sont allumés, le moteur du ventilateur tourne, le brûleur ne s'allume pas..... 30

Tous les témoins sont actifs, SAUF le témoin du robinet de gaz.

Le moteur du ventilateur ne fonctionne pas, le brûleur est éteint. 31

La fournaise s'allume, mais ne reste pas allumée31

Problèmes de mode de la fournaisePage

Le moteur ne tourne pas 31

Les composants doivent uniquement être remplacés suite à l'achèvement de chaque étape et le remplacement est suggéré dans les représentations graphiques. Au besoin, se reporter aux sections d'Entretien pour obtenir de l'information sur les procédures de démontage et de remplacement du composant une fois que le problème identifié par les représentations graphiques.

FONCTIONNEMENT DE LA SÉQUENCE D'ALLUMAGE DIRECT :

- Le thermostat effectue un appel de chaleur.
 - Le voyant d'alimentation actif indique que la fournaise reçoit l'alimentation principale.
- La tension secteur est envoyée au commutateur.
- Le sélecteur envoie la tension secteur au transformateur et à la commande d'allumage.
- Le transformateur réduit la tension secteur envoyée à la commande d'allumage à 24 volts.
 - Le voyant du transformateur est activé indiquant que la commande d'allumage reçoit 24 volts de la part du transformateur.

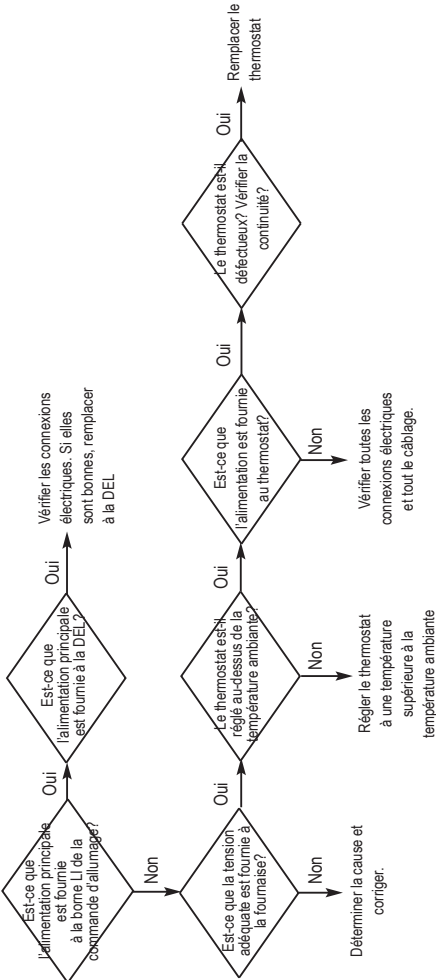
- Le module de commande d'allumage exécute le contrôle de sécurité automatique.
- Le moteur du ventilateur s'arrête.
- Le module de commande d'allumage envoie 24 volts à l'interrupteur de vérification d'air.
 - Les composants internes sont testés.
 - L'interrupteur de vérification d'air est vérifié et confirmé.
- Le module de commande d'allumage amorce la séquence d'essai de l'allumage.
- L'interrupteur de vérification d'air se ferme et 24 volts sont retournés à la borne de commande PS2.
 - Le témoin de l'interrupteur de vérification d'air est activé indiquant que le circuit du contrôleur d'air fonctionne correctement.
- Le module de commande de l'allumage envoie une haute tension à l'électrode d'allumage.
 - L'allumeur produit des étincelles.
- Le module de la commande d'allumage envoie 24 volts au robinet de commande du gaz par l'entremise des interrupteurs de température élevée.
 - Le témoin du robinet des gaz est activé indiquant que le robinet de commande du gaz reçoit 24 volts.
 - Le robinet de réglage du gaz s'ouvre.
 - L'allumage se produit.
- L'allumeur continue de produire des étincelles jusqu'à ce que la vérification de la flamme se produise.
 - L'étincelle d'allumage est coupée.
 - Le robinet de gaz demeure ouvert.
- Réchauffement de la pièce à la température désirée.
 - Le thermostat a atteint sa température.
 - La fournaise s'arrête.
- Le processus redémarre lors d'un appel de chaleur.

SÉQUENCE D'ALLUMAGE INFRUCTUEUSE :

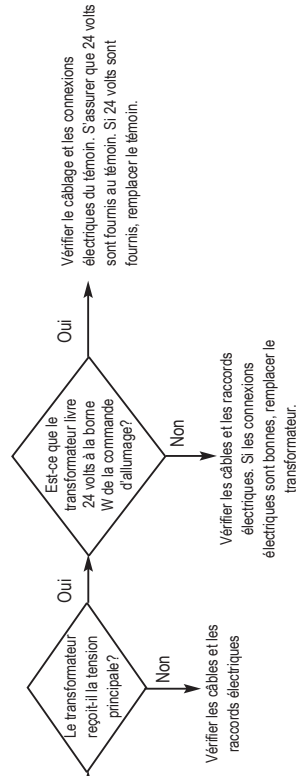
- Il y a trois essais d'allumage. Chaque essai dure environ dix secondes.
- Si la flamme du brûleur n'est pas maintenue à la fin du troisième essai, le module passe en verrouillage de sécurité
 - Le robinet des gaz se referme.
 - L'étincelle d'allumage s'éteint.
 - Le moteur du ventilateur s'arrête.
- **Pour réessayer un allumage, les systèmes doivent être réinitialisés :**
 - Baisser le thermostat, puis le hausser pour effectuer un appel de la chaleur ou débrancher la fournaise et la rebrancher, ou
 - Placer le sélecteur en position d'arrêt, puis de nouveau en position de marche.

MODE DE CHAUFFAGE : **Tous les témoins sont allumés** → **Fonctionnement normal**

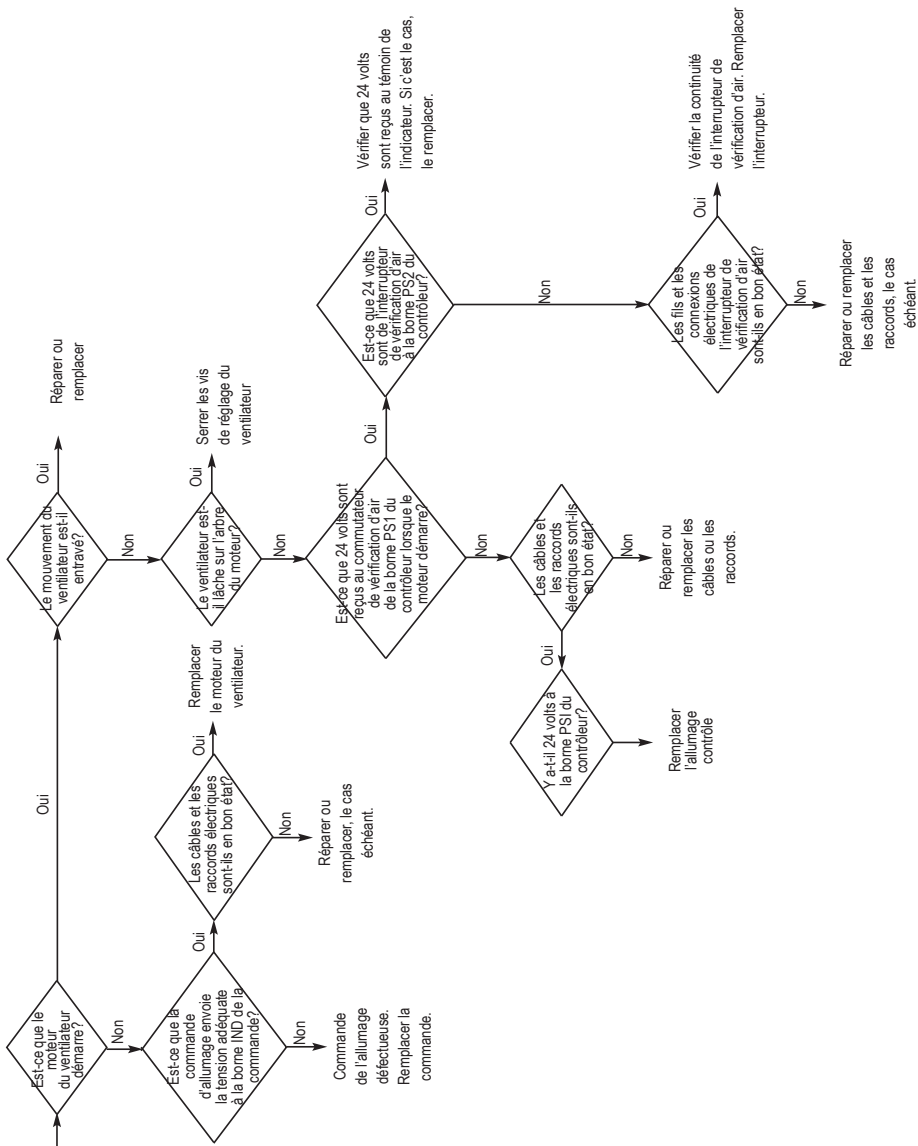
Voyant d'état d'alimentation inactif



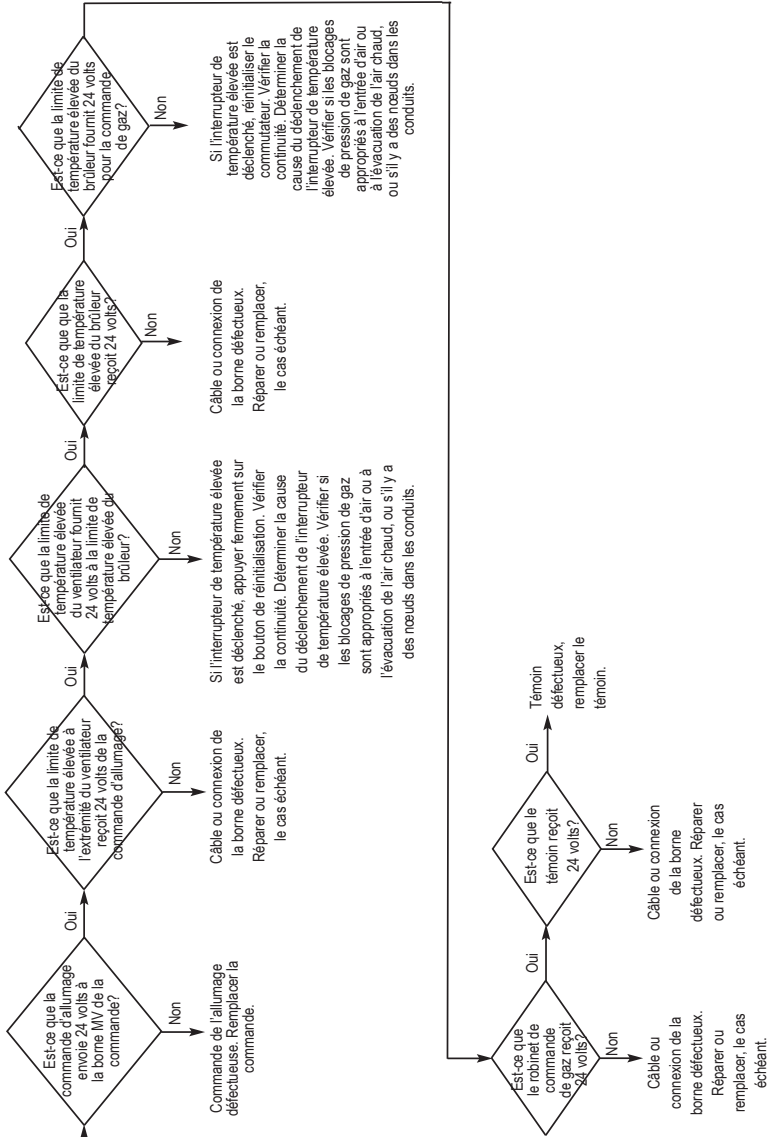
Voyant d'état du transformateur inactif.



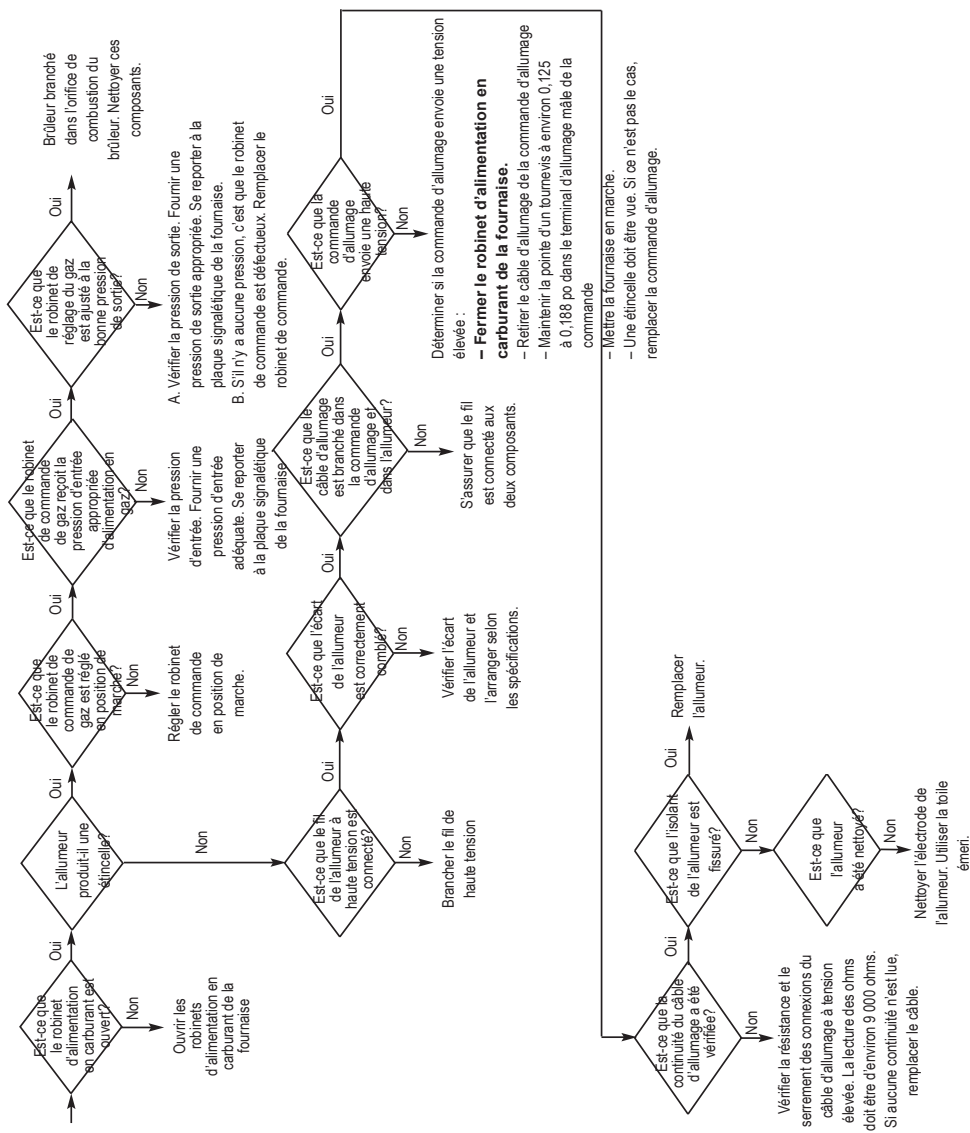
Voyant d'état de vérification d'air inactif



Voyant d'état de réglage de gaz. Inactif



Tous les témoins sont allumés. le moteur du ventilateur tourne. le brûleur ne s'allume pas

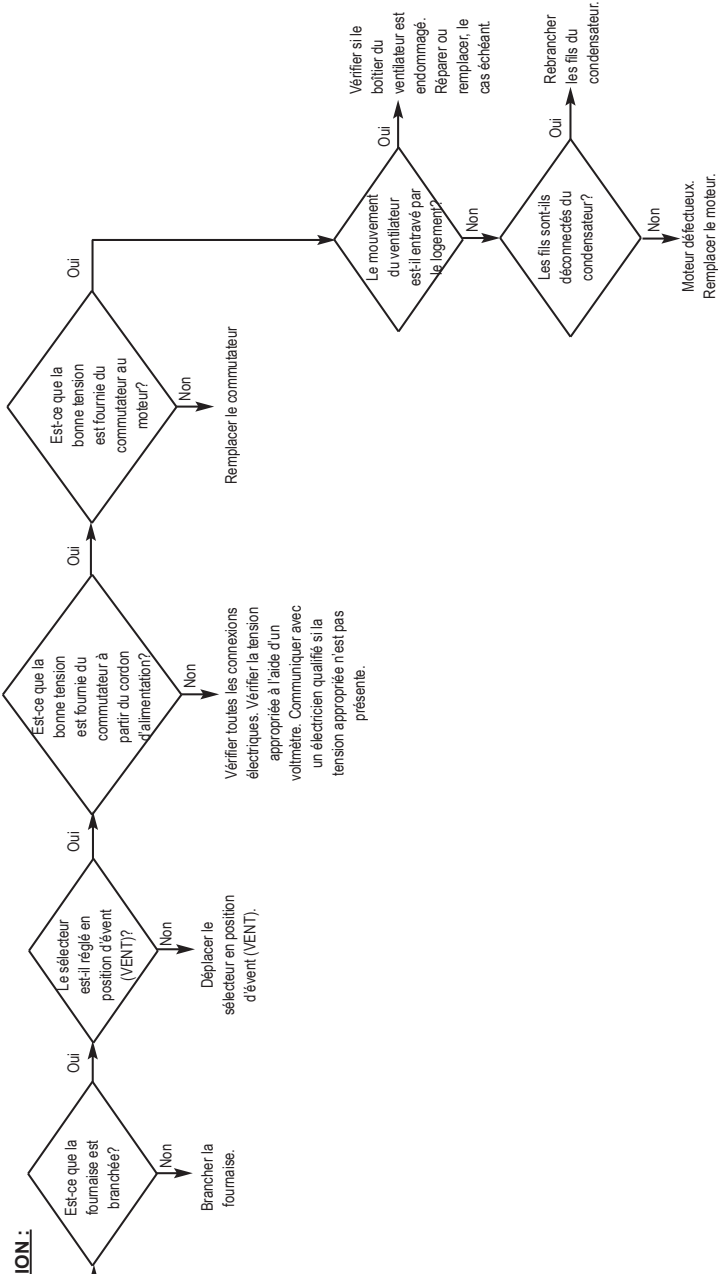


Tous les témoins sont actifs, SAUF le témoin du robinet de gaz. Le moteur du ventilateur ne fonctionne pas, le brûleur est éteint. → L'interrupteur de vérification d'air a échoué dans la position fermée. Vérifier la présence d'obstruction dans le débit d'air et la continuité; si ce n'est pas le cas, remplacer l'interrupteur.

Tous les témoins sont allumés. Le brûleur s'allume, mais ne reste pas allumé. → Causé par une mauvaise détection de la flamme ou des problèmes de détection de la flamme. Vérifier si capteur de flamme est fissuré, sale ou mal positionné, ou s'il y a une mauvaise mise à la terre de l'alimentation électrique. (La fournaise nécessite une alimentation électrique reliée à la terre pour assurer un fonctionnement continu.)

MODE DE VENTILATION :

Problème
Le moteur ne fonctionne pas.



! PRUDENCE

Lors de l'entretien, toujours se reporter au schéma de raccordement électrique de la fournaise pour éviter les erreurs de câblage et le dysfonctionnement de la fournaise. S'assurer du bon fonctionnement après l'entretien.

BK: Black/Noir/Negro G: Green/Vert/Verde
 BL: Blue/Bleu/Azul BR: Brown/Bruin/Marrón
 R: Red/Rouge/Rojo W: White/Blanc/Bianco
 GY: Gray/Gris Y: Yellow/Jaune/Amarillo

APS: Air Proving Switch/Interrupteur de Vérification de Débit d'Air/Interruptor de Comprobación de Aire

DSI: Direct Sense Igniter/Allumeur Direct/Encendedor

GV: Gas Control Valve/Valve de Commande de Gaz/Valvula de Control de Gas

HL: High Limit Heat Switch/Interrupteur de Limite Elevée/Interruptor de Limite Superior

IGC: Ignition Control/Control de Allumage/Control de Encendido de Chispa

M: Motor/Moteur

PI: Power Inlet/Entrée d'Alimentation/Entrada de Energia

SS: Selector Switch/Sélecteur/Interruptor de Selección

TO: Thermostat outlet/Sortie thermostat/salida del termostato

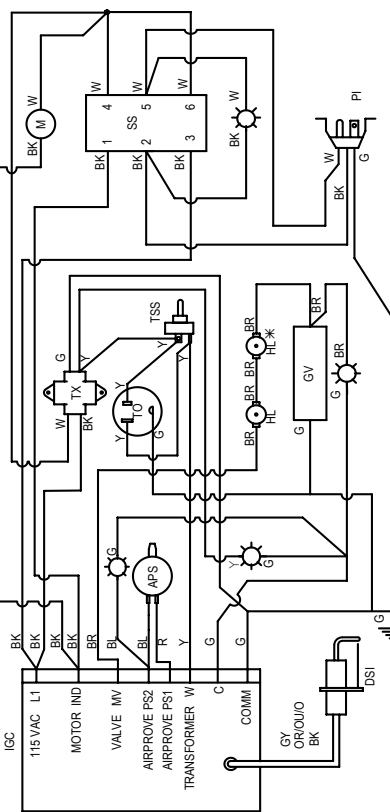
TSS: Thermostat selector switch/Interrupteur de sélection du thermostat/Interruptor selector del termostato

TX: Transformer/Transformateur/Transformador

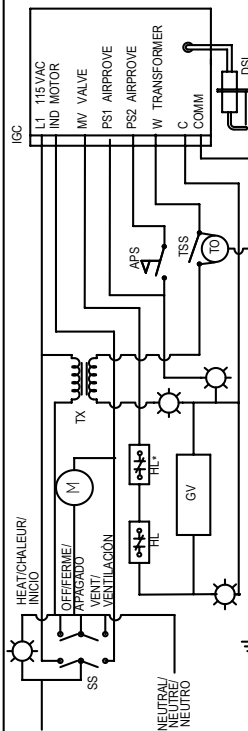
LED/Voyant DEL/Luz
 Earth Ground/Mise a la Terre/
 Conexiona Tierra

* Only 1 High Limit Heat Switch on TS040/Un seul Interrupteur de Limite Elevée sur le TS040/Solo 1 Interruptor de Limite Superior en TS040

150-122561 REV.B



ELECTRICAL CONNECTION DIAGRAM / CONEXIONES ELÉCTRICAS / DIAGRAMA DE CONEXIONES ELÉCTRICAS

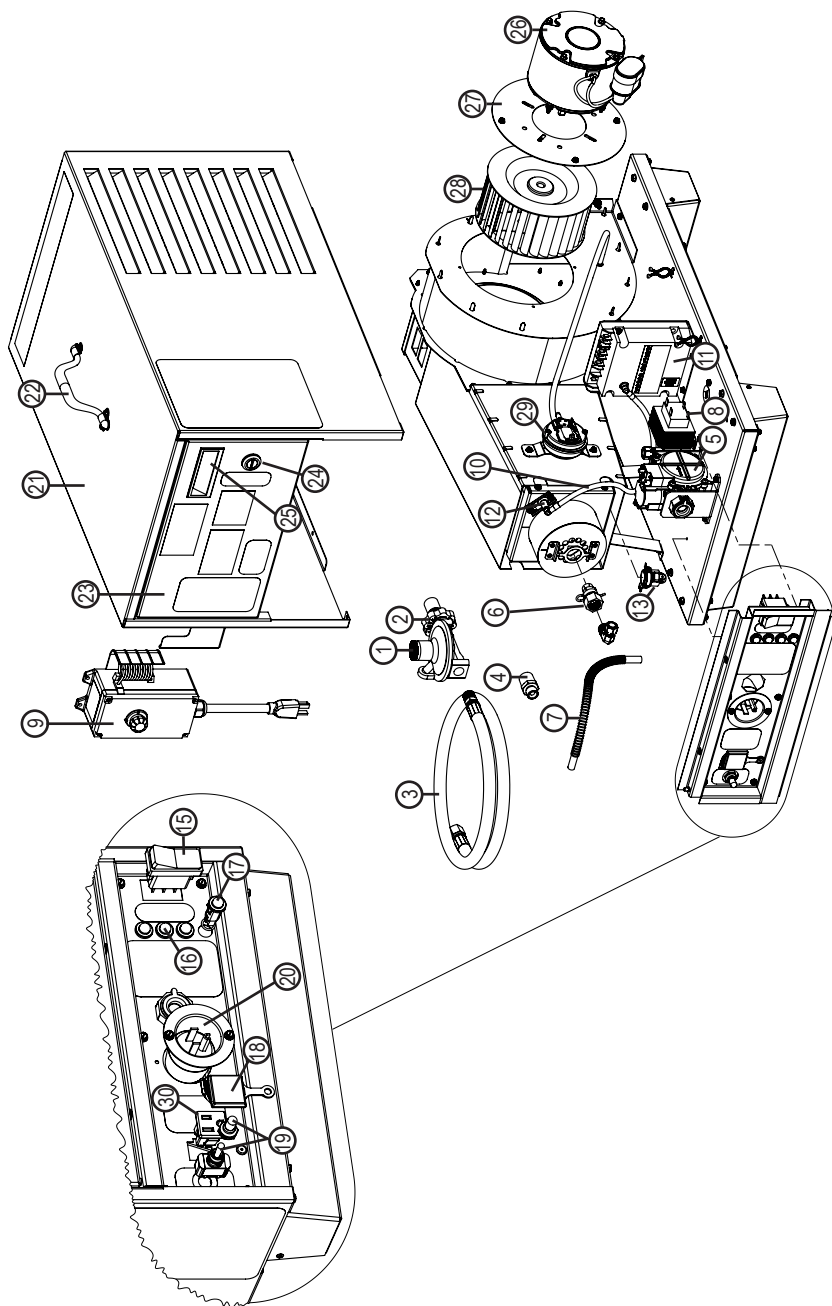


ELECTRICAL LADDER DIAGRAM / DIAGRAMME EN ESCALIER / DIAGRAMA ELÉCTRICO DE ESCALERA

IF ANY OF THE ORIGINAL WIRING IS SUPERSEDED THE USER MUST BE ADVISED. IT MUST BE REPLACED WITH A WIRING AS PERMANENTLY MARKED AND IDENTIFIED BY THE MANUFACTURER. IF ANY ORIGINAL WIRING IS SUPERSEDED BY THE USER, THE USER MUST BE ADVISED TO REPLACE WITH THE ORIGINAL WIRING AS PERMANENTLY MARKED AND IDENTIFIED BY THE MANUFACTURER. SI SE DEBE CAMBIAR CUALQUIER CABLE ORIGINAL PROPORCIONADO CON EL APARATO, SE DEBE CAMBIAR POR UN CABLE CON UNA CLASIFICACION DE TEMPERATURA DE AL MENOS 302° F (150° C).

Remarques

Schémas d'identification des pièces de rechange Premier 40 - Numéro de série L000464975 ou plus récent

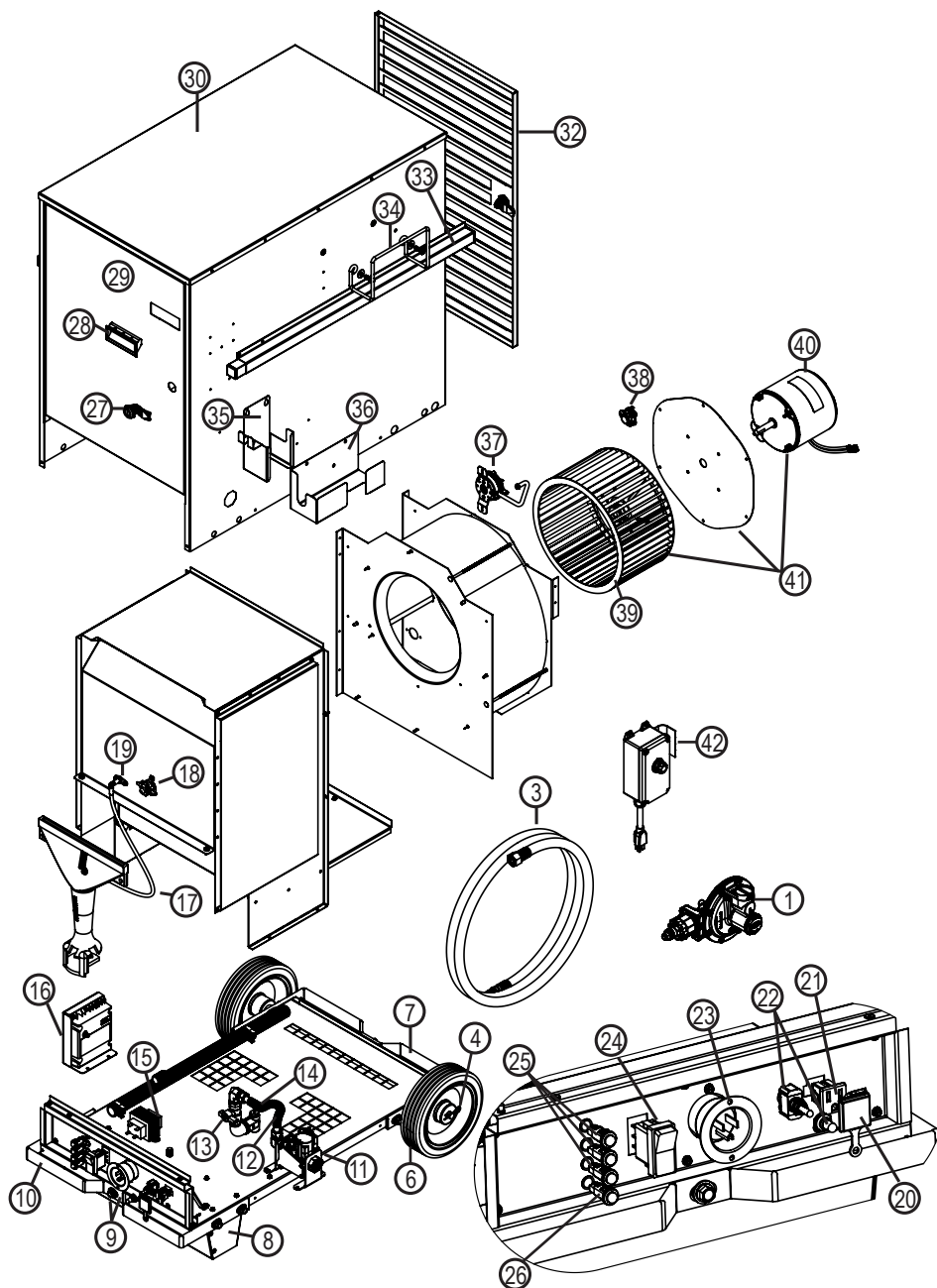


Schémas d'identification des pièces de rechange Premier 40

Article	Description	Numéro de pièce	
1	Régulateur, gaz propane avec POL et volant	500-26377	
2	Volant avec ressort	500-26395	
3	Flexible de 3/8 po x 15 pi 3/8 po NPT x 5/8 - 18 à extrémité pivotante avec adaptateur	550-22277	
4	Adaptateur du flexible 5/8 - 18 x 1/2 po NPT	573804	
5	* Robinet de gaz, colonne d'eau de 8 pouces	574154	
	* Robinet de gaz, colonne d'eau de 10 pouces	574240	
6	* Orifice du brûleur, 8 po de colonne d'eau	574235	
	* Orifice du brûleur 10 po de colonne d'eau	574156	
7	Conduite de carburant, 11,75 po, acier inoxydable avec écrous et manchons	574155	
8	Transformateur	509615	
9	Cordon de 0,43m/1,4 pi du thermostat	500-132976	
	Cordon de 7,62m/25 pi du thermostat	500-30125	
10	Fil allumeur (non illustré)	572847	
11	Commande d'allumage	573946	
12	Allumeur	574157	
13	Interrupteur, température élevée	573099	
14	Harnais, fil (non illustré)	574158	
15	Sélecteur, Marche/Arrêt/Ventilateur	574122	
16	Voyant d'état, vert 24 volts	574159	
17	Voyant d'état, vert 120 volts	573770	
18	Capuchon de sortie du thermostat	574138	
19	Sélecteur du thermostat avec sabot	570456	
20	Fiche secteur, encastrée	574125	
21	Ensemble du boîtier*	574160 Rev. A	574319 (Rev. B)
22	Poignée supérieure avec vis	572522	
23	Ensemble de la porte	574161	
24	Loquet de la porte	574162	
25	Poignée de la porte, encastrée	574124	
26	Moteur	520290	
27	Support de moteur	574163	
28	Roue de ventilateur	570230	
29	Pressostat d'air	574239	
30	Réceptacle à pression	573570	

*Voir la plaque signalétique du réchauffeur pour la pression d'admission

Schémas d'identification des pièces de rechange Premier 80/170 (Premier 170 Montré)



Liste des pièces Premier 80/170 (Premier 170 Montré)

Item	Description	CS080	TS080	CS170	TS170
1	Régulateur	573610	500-26377	500-26423	500-26419
2	Volant de manoeuvre avec ressort (non illustré)	500-26395			
3	Trousse à tuyau universel, 4,57 m / 15 pi. Tuyau avec adaptateurs	500-24600			
4	Goupille	N/A		500-26417	
5	Trousse d'essieu	N/A		500-26415	
6	Trousse de roue	N/A		500-26418	
7	Poignée, support, extrémité du moteur	N/A		500-26427	
8	Trousse de support de patte	574419		574420	
9	Boulon et rondelle	574210			
10	Poignée, support, extrémité du brûleur	N/A		500-26426	
11	Robinet, réglage du gaz	574154			
12	Tube, 8 "avec raccords	574012			
13	Vanne, sélecteur de gaz (DF uniquement)	574205	N/A	574198	N/A
14	Orifice, brûleur	574213	574214	574211	574212
15	Transformateur	509615			
16	Commande de l'allumage	573946			
17	Fil, allumeur	574262			
18	Interrupteur, température élevée, extrémité brûleur (275°F)	503933			
19	Allumeur	574196			
20	Couvercle, sortie thermostat	574138			
21	Prise, encliquetable	573570			
22	Sélecteur du thermostat avec sabot	570456			
23	Fiche secteur, encastrée	574125			
24	Sélecteur, marche/arrêtV/ventilateur	574122			
25	Voyant d'état, vert 24 volts	574159			
26	Voyant d'état, vert 120 volts	573770			
27	Loquet de la porte	574162			
28	Poignée de la porte, encastrée	574124			
29	Ensemble porte, extrémité brûleur	574208		574202	
30	Ensemble du boîtier	574207	574206	574201	574200
31	Poignée, boîtier, supérieur (non illustré)	571628		N/A	
32	Ensemble de porte, extrémité du moteur	574209		574203	
33	Poignée, coulissante	N/A		571760	

34	Support, tuyau	571619		
35	Support, stockage de thermostat	574217		
36	Support, régulateur de stockage	N/A	574314	574315
37	Pressostat d'air	574239		
38	Interrupteur, température élevée, le moteur s'éteint	571671	571400	
39	Roue de ventilateur	570304	570481	
40	Moteur	520292	520169	
41	Moteur, plaque de montage du moteur, ensemble de roue de ventilateur	574204	574197	
42	Thermostat avec cordon de 0,43m/1,4 pi	500-132976		
	Thermostat avec cordon de 7,62m/25 pi	500-30125		

Politique de garantie

FOURNAISE

L.B. White Company, LLC garantit que les éléments constitutifs de sa fournaise sont exempts de défauts de matériaux et de fabrication, lorsqu'ils sont correctement installés, utilisés et entretenus conformément aux directives d'installation et d'entretien, aux guides de sécurité et aux étiquettes apposées sur chaque unité. Si, dans les 24 mois à compter de la date d'achat par l'utilisateur final, un composant est jugé défectueux, L.B. White Company, LLC à sa discrétion, réparera ou remplacera la pièce défectueuse ou la fournaise, au moyen d'une nouvelle pièce ou une fournaise, F.O.B., Onalaska, Wisconsin.

L'enregistrement de votre produit en ligne auprès de L.B. White qualifiera automatiquement un appareil et ses composants à la garantie. Si un produit n'a pas été enregistré auprès de L.B. White, une copie de l'acte de vente sera nécessaire pour établir l'admissibilité à la garantie. Si ni l'un ni l'autre n'est disponible, la période de garantie sera de 24 mois à compter de la date d'expédition des locaux de L.B. White.

PIÈCES

L.B. White Company, LLC garantit que les pièces de rechange achetées à la société et utilisées sur l'équipement L.B. White approprié sont exemptes de défauts à la fois de matériel et de fabrication pendant 12 mois à compter de la date d'achat par l'utilisateur final. La garantie est automatique si un composant est jugé défectueux dans les 12 mois suivant le code de date indiquée sur la pièce. Si le défaut se produit plus de 12 mois plus tard que le code de date, mais dans les 12 mois à compter de la date d'achat par l'utilisateur final, une copie d'une facture de vente sera nécessaire pour établir l'admissibilité à la garantie.

La garantie énoncée ci-dessus est la garantie exclusive fournie par L.B. White, et toutes les autres garanties, y compris les garanties implicites de qualité marchande ou d'adéquation à un usage particulier, sont expressément exclues. Dans le cas où une garantie implicite n'est pas expressément accordée en raison de la loi, cette garantie implicite est limitée en durée à la durée de la garantie applicable indiquée ci-dessus. Les solutions mentionnées ci-dessus représentent les seuls et exclusifs recours disponibles aux termes des présentes. L.B. White ne pourra être tenue responsable des dommages

indirects ou consécutifs, directement ou indirectement liés à la vente, la manutention ou l'utilisation de l'équipement, et dans tous les cas, la responsabilité de L.B. White en lien avec l'équipement, y compris pour les réclamations reposant sur la négligence ou la responsabilité stricte, est limitée au prix d'achat.

Certains États et certaines provinces ne permettent pas les délais de prescription quant à la durée d'une garantie implicite, ainsi le délai de prescription ci-dessus peut ne pas vous concerner. Certains États et certaines provinces ne permettent pas l'exclusion ou la limitation des dommages indirects ou consécutifs, de sorte que la limitation ou l'exclusion ci-dessus peut ne pas vous concerner. Cette garantie vous procure des droits juridiques précis et vous pouvez également avoir d'autres droits qui varient d'un État et d'une province à l'autre. Pour enregistrer votre produit et vous assurer d'obtenir la garantie intégrale, rendez-vous à l'adresse http://www.lbwhite.com/customer_care_center/product-registration/. Veuillez avoir les numéros de série et les modèles sous la main des produits que vous enregistrez.

Service

Communiquez avec votre distributeur L.B. pour obtenir des pièces de rechange et assurer le service courant. Vous pouvez également appeler L.B. White Company, LLC au 1 800 345-7200, pour obtenir de l'assistance ou par courriel à l'adresse customerservice@lbwhite.com.

Assurez-vous d'avoir votre numéro de modèle de la fournaise ainsi que le numéro de configuration sous la main lors de l'appel.



FOURNISSEUR MONDIAL - SOLUTIONS INNOVANTES DE CHAUFFAGE

411 Mason Street, Onalaska, WI 54650

1 800 345-7200 • 608 783-5691

608 783-6115 (télécopieur)

www.lbwhite.com

150-132531 RÉV.C