



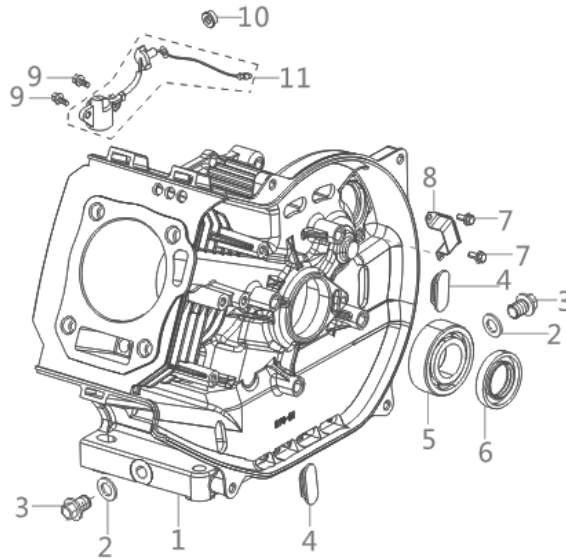
PARTS BREAKDOWN

INVERTER GENERATOR

MODEL: PA-GI3500P

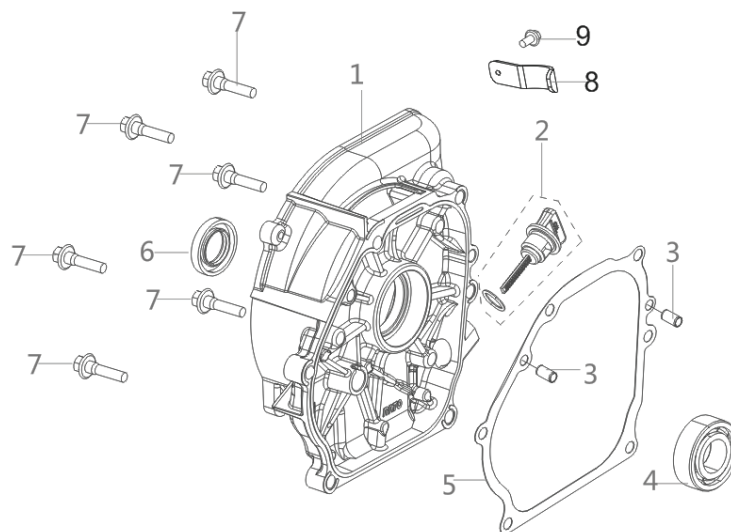


CRANK CASE / GEAR ASSEMBLY



| REF # | DESCRIPTION | QTY | PART # |
|-------|--------------------|-----|--------------|
| 2 | DRAIN PLUG WASHER | 2 | PA-P85571713 |
| 3 | DRAIN PLUG BOLT | 2 | |
| 5 | BEARING | 1 | PA-P85571714 |
| 6 | OIL-SEAL | 1 | PA-P85571715 |
| 11 | SENSOR, ENGINE OIL | 1 | PA-P85571716 |

CRANK CASE COVER



| REF # | DESCRIPTION | QTY | PART # |
|-------|-------------------|-----|--------------|
| 2 | OIL DIPSTICK | 1 | PA-P85571717 |
| 5 | GASKET, CRANKCASE | 1 | PA-P85571718 |

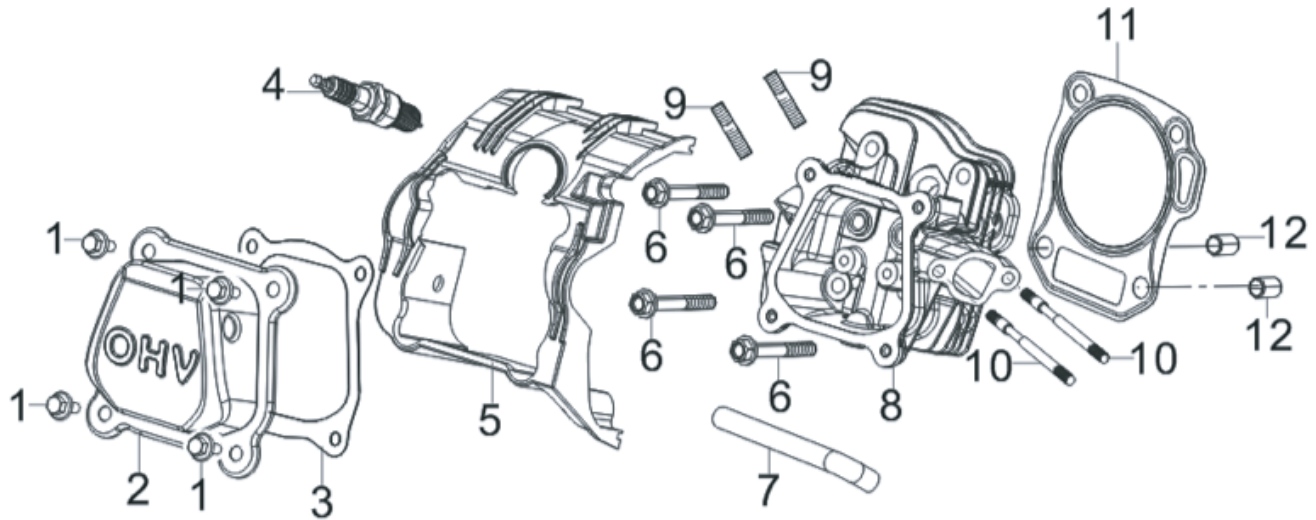


PARTS BREAKDOWN

INVERTER GENERATOR

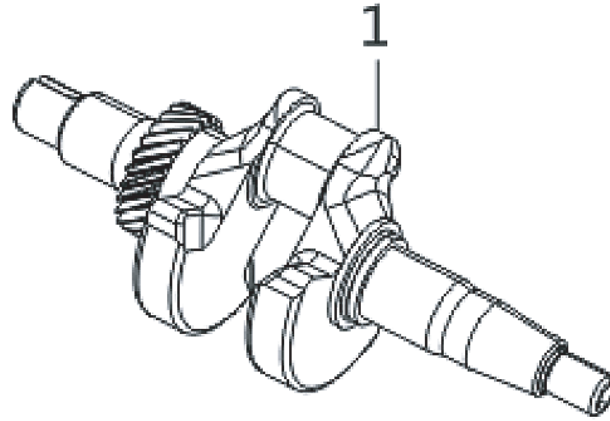
MODEL: PA-GI3500P

CYLINDER HEAD ASSEMBLY / SPARK PLUG



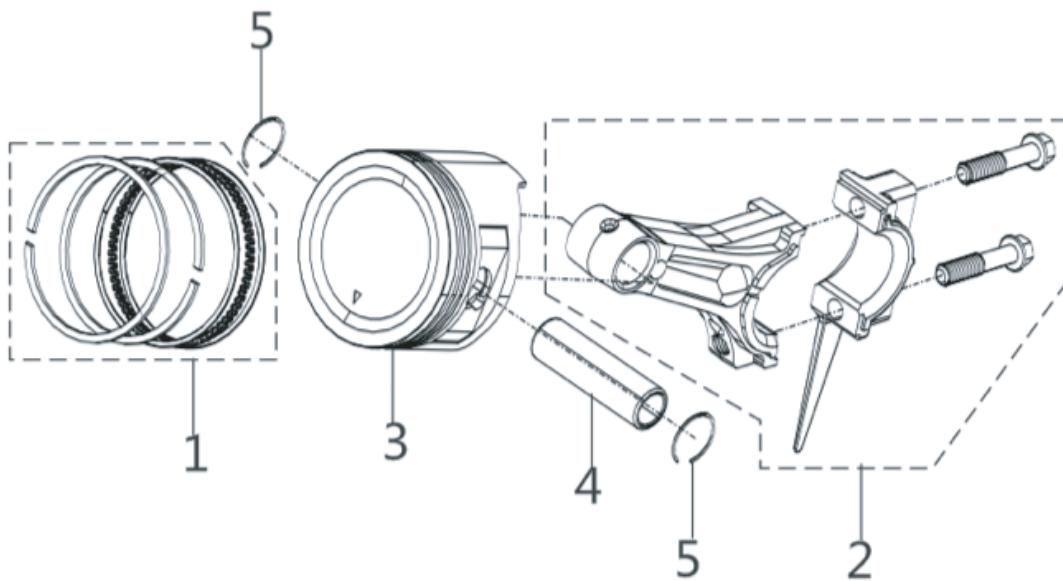
| REF # | DESCRIPTION | QTY | PART # |
|-------|----------------------|-----|--------------|
| 1 | VALVER COVER BOLT | 4 | PA-P85571719 |
| 2 | VALVE COVER | 1 | |
| 3 | VALVE COVER GASKET | 1 | |
| 4 | SPARK PLUG | 1 | PA-P85571720 |
| 7 | BREATHER TUBE | 1 | PA-P85571721 |
| 8 | CYLINDER HEAD | 1 | PA-P85571722 |
| 9 | EXHAUST STUD | 2 | PA-P85571723 |
| 10 | INTAKE STUD | 2 | PA-P85571724 |
| 11 | CYLINDER HEAD GASKET | 1 | PA-P85571725 |
| 3 | VALVE COVER GASKET | 1 | |
| 6 | OIL - SEAL | 1 | |
| 5 | HEAT SHIELD COVER | 1 | |

CRANKSHAFT CONNECTING ROD



| REF # | DESCRIPTION | QTY | PART # |
|-------|---------------------|-----|--------------|
| 1 | CRANKSHAFT ASSEMBLY | 1 | PA-P85571726 |

CRANKSHAFT ROD & RING SET



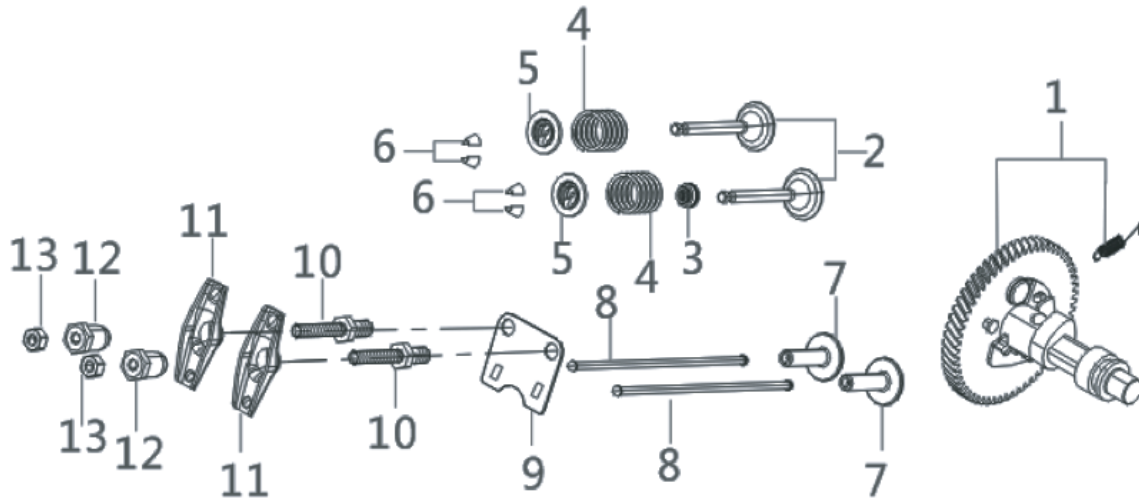
| REF # | DESCRIPTION | QTY | PART # |
|-------|-----------------|-----|--------------|
| 1 | PISTON RING SET | 1 | PA-P85571727 |
| 2 | CONNECTING ROD | 1 | PA-P85571728 |
| 3 | PISTON | 1 | PA-P85571729 |
| 4 | PISTON PIN | 1 | |
| 5 | PISTON PIN CLIP | 2 | |
| 1 | PISTON RING SET | 1 | |



PARTS BREAKDOWN INVERTER GENERATOR

MODEL: PA-GI3500P

CAMSHAFT ROD & RING SET



| REF # | DESCRIPTION | QTY | PART # |
|-------|-----------------------------------|-----|--------------|
| 1 | CAMSHAFT ASSEMBLY | 1 | PA-P85571730 |
| 7 | TAPPET VALVE | 2 | |
| 2 | VALVE | 1 | PA-P85571731 |
| 3 | SEAL GUIDE | 1 | |
| 4 | VALVE SPRING | 2 | |
| 5 | VALVE SPRING SEAT | 2 | |
| 6 | VALVE LOCK CLAMP | 4 | |
| 9 | PLATE SUBASSEMBLY, LIFTER STOPPER | 1 | |
| 10 | VALVE ADJUSTING BOLT | 2 | |
| 11 | ROCKER VALVE | 2 | PA-P85571732 |
| 12 | VALVE ADJUSTING NUT | 2 | |
| 13 | VALVE LOCK NUT | 2 | |
| 8 | LIFTER VALVE | 2 | |
| 9 | PLATE SUBASSEMBLY, LIFTER STOPPER | 1 | |
| 10 | VALVE ADJUSTING BOLT | 2 | |
| 11 | ROCKER VALVE | 2 | PA-P85571733 |
| 12 | VALVE ADJUSTING NUT | 2 | |
| 13 | VALVE LOCK NUT | 2 | |

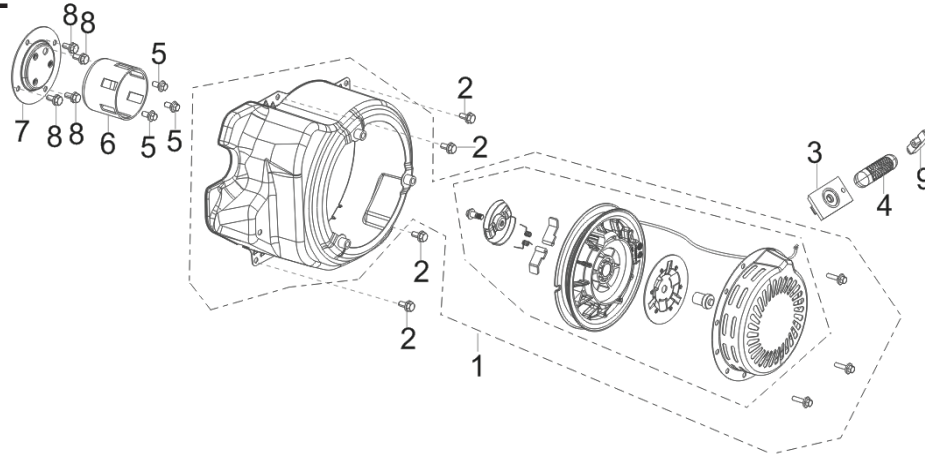


PARTS BREAKDOWN

INVERTER GENERATOR

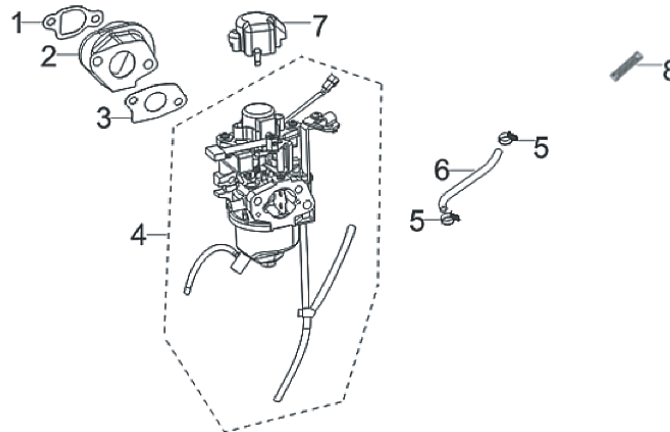
MODEL: PA-GI3500P

STARTER RECOIL



| REF # | DESCRIPTION | QTY | PART # |
|-------|---------------------------|-----|--------------|
| 1 | STARTER, RECOIL | 1 | PA-P85571700 |
| 3 | STARTING ROPE GUIDE | 1 | |
| 4 | CABLE HANDLE OUTER SLEEVE | 1 | |
| 5 | BOLT | 3 | PA-P85571734 |
| 6 | STARTER PULLEY | 1 | |
| 7 | STARTER CLIP SEAT | 1 | |

CARBURETOR ASSEMBLY



| REF # | DESCRIPTION | QTY | PART # |
|-------|-----------------------------|-----|--------------|
| 1 | CARBURETOR INSULATOR GASKET | 1 | PA-P85571701 |
| 2 | CARBURETOR INSULATOR PLATE | 1 | |
| 3 | CARBURETOR GASKET | 1 | |
| 4 | CARBURETOR ASSEMBLY | 1 | |
| 5 | CLAMP | 2 | |
| 6 | FUEL TUBE | 1 | |
| 7 | CAP | 1 | |
| 8 | FUEL FILTER | 1 | PA-P85571575 |
| 8 | FUEL FILTER (ONLY) | 1 | |

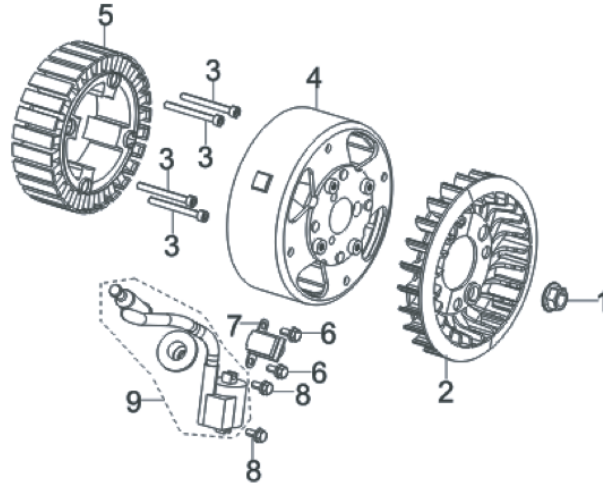


PARTS BREAKDOWN

INVERTER GENERATOR

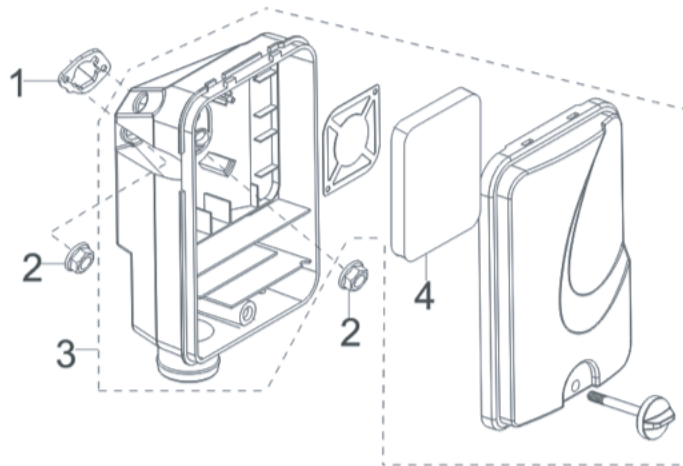
MODEL: PA-GI3500P

FLYWHEEL/IMPELLER/STARTER PULLEY/IGNITION COIL



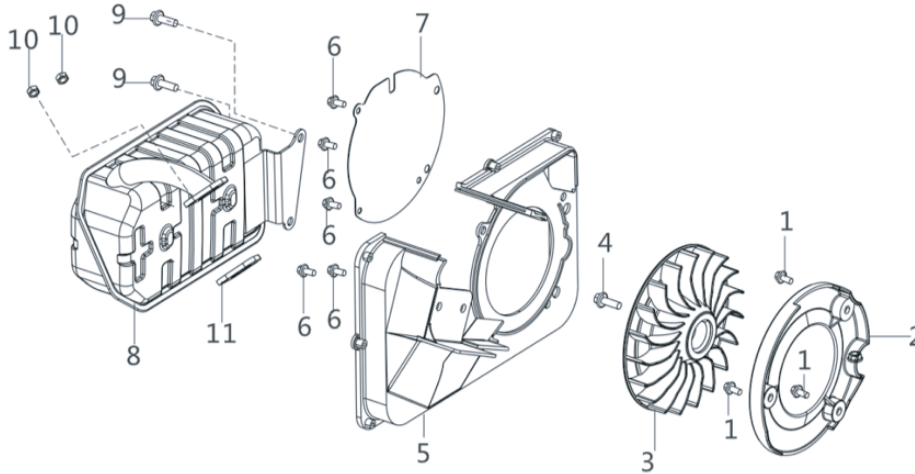
| REF # | DESCRIPTION | QTY | PART # |
|-------|-----------------------|-----|--------------|
| 7 | IGNITION COIL TRIGGER | 1 | PA-P85571703 |
| 9 | IGNITION COIL | 1 | |

AIR CLEANER



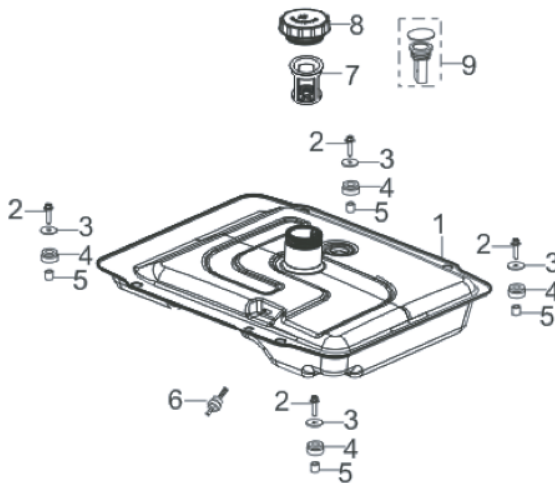
| REF # | DESCRIPTION | QTY | PART # |
|-------|----------------------|-----|--------------|
| 1 | AIR CLEANER GASKET | 1 | PA-P85571702 |
| 2 | NUT | 2 | |
| 3 | AIR CLEANER ASSEMBLY | 1 | |
| 4 | AIR CLEANER ELEMENT | 1 | |

MUFFLER



| REF # | DESCRIPTION | QTY | PART # |
|-------|-----------------------------|-----|--------------|
| 1 | MUFFLER ASSEMBLY | 1 | PA-P85571737 |
| 9 | BOLT | 2 | |
| 10 | NUT | 2 | |
| 11 | EXHAUST OUTLET GASKET | 1 | PA-P85571769 |
| 11 | EXHAUST OUTLET GASKET(ONLY) | 1 | |

FUEL TANK



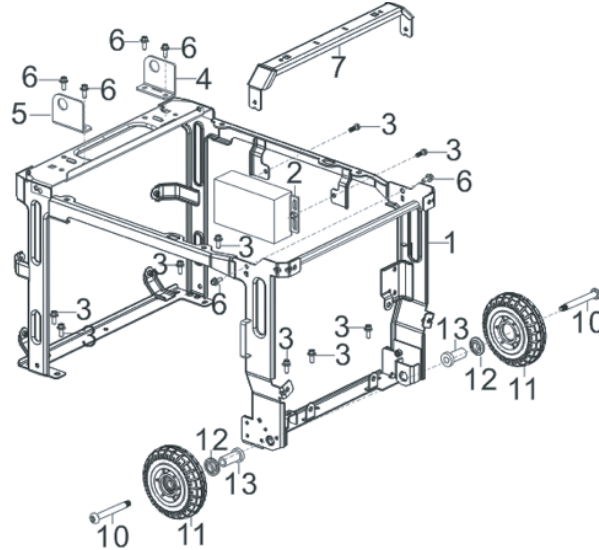
| REF # | DESCRIPTION | QTY | PART # |
|-------|---------------|-----|--------------|
| 1 | FUEL TANK | 1 | PA-P85571738 |
| 2 | BOLT | 4 | PA-P85571739 |
| 3 | FLAT WASHER | 4 | |
| 4 | RUBBER SLEEVE | 4 | |
| 5 | BUSHING | 4 | PA-P85571740 |
| 6 | FUEL VALVE | 1 | |
| 7 | FUEL STRAINER | 1 | PA-P85571710 |
| 8 | FUEL CAP | 1 | |
| 9 | FUEL GAUGE | 1 | PA-P85571711 |



PARTS BREAKDOWN INVERTER GENERATOR

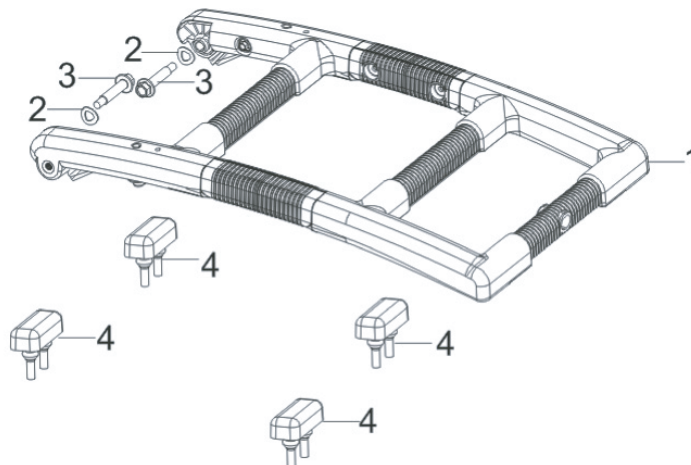
MODEL: PA-GI3500P

ENGINE FRAME



| REF # | DESCRIPTION | QTY | PART # |
|-------|-------------------|-----|--------------|
| 1 | FRAME ASSEMBLY | 1 | PA-P85571741 |
| 10 | WHEEL SHAFT | 1 | PA-P85571704 |
| 11 | WHEEL | 1 | |
| 12 | SLEEVE DUST COVER | 1 | |
| 13 | CABLE SLEEVE | 1 | |

HANDLE



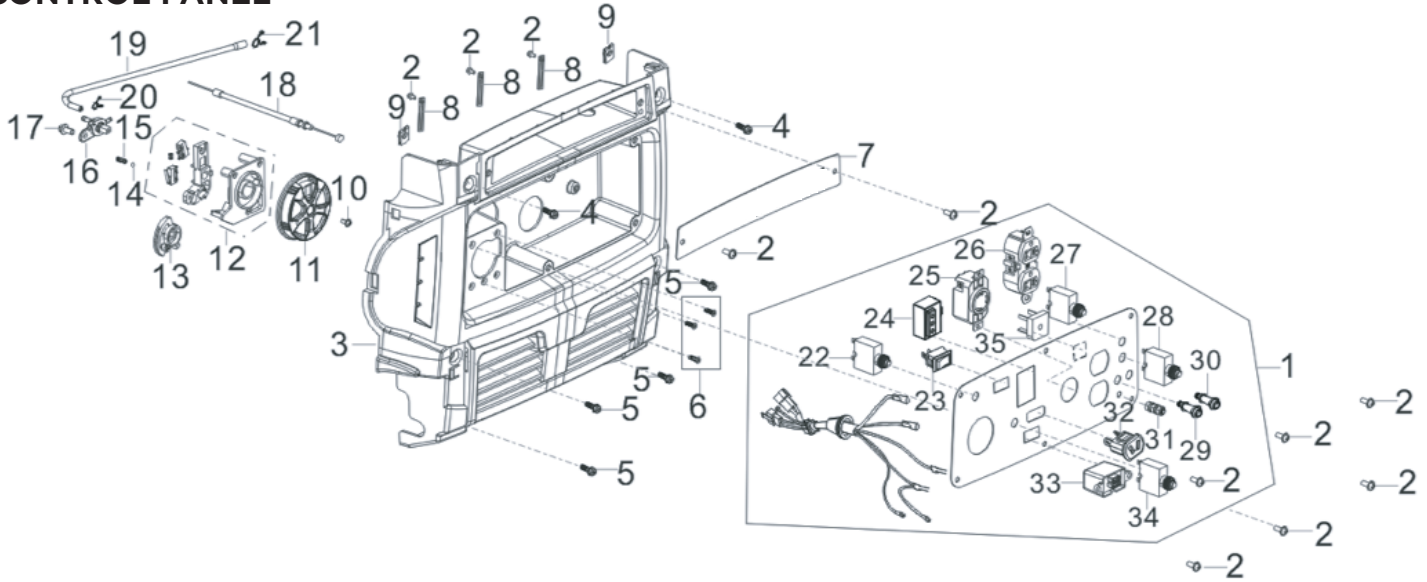
| REF # | DESCRIPTION | QTY | PART # |
|-------|----------------------|-----|--------------|
| 1 | HANDLE TUBE ASSEMBLY | 1 | PA-P85571712 |
| 2 | SPRING WASHER | 2 | |
| 3 | BOLT | 2 | |
| 4 | RUBBER BLOCK | 4 | |



PARTS BREAKDOWN INVERTER GENERATOR

MODEL: PA-GI3500P

CONTROL PANEL



| REF # | DESCRIPTION | QTY | PART # |
|-------|------------------------|-----|--------------|
| 1 | CONTROL PANEL ASSEMBLY | 1 | PA-P85571707 |
| 3 | PANEL SEAT | 1 | PA-P85571743 |
| 19 | FUEL TUBE | 1 | PA-P85571744 |
| 20 | COLLAR | 1 | |
| 21 | COLLAR | 1 | |
| 22 | BREAKER | 1 | PA-P85571586 |
| 23 | AUTO IDLE SWITCH | 1 | PA-P85571746 |
| 24 | IGNITOR | 1 | PA-P85571747 |
| 25 | 120V TWISTLOCK SOCKET | 1 | PA-P85571748 |
| 26 | 120V DUPLEX SOCKET | 1 | PA-P85571592 |
| 27 | BREAKER, 27 AMP | 1 | PA-P85571750 |
| 28 | BREAKER, 20AMP | 1 | PA-P85571751 |
| 29 | RED PARALELL SOCKET | 1 | PA-P85571589 |
| 30 | BLACK PARALELL SOCKET | 1 | PA-P85571590 |
| 31 | GROUNDING TERMINAL | 1 | PA-P85571654 |
| 32 | 12V SOCKET | 1 | PA-P85571652 |
| 33 | USB SOCKET | 1 | PA-P85571653 |
| 34 | BREAKER | 1 | PA-P85571593 |
| 35 | BRIDGE RECTIFIER | 1 | PA-P85571049 |

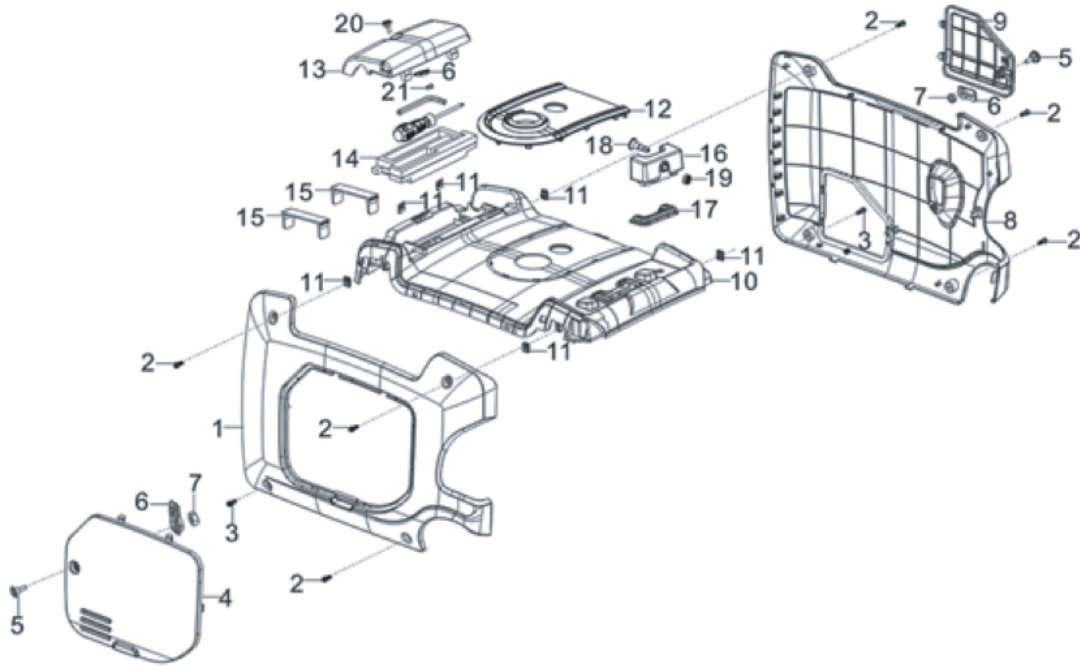


PARTS BREAKDOWN

INVERTER GENERATOR

MODEL: PA-GI3500P

INVERTER COVER



| REF # | DESCRIPTION | QTY | PART # |
|-------|--------------------------------|-----|--------------|
| 1 | LEFT SIDE SHELL | 1 | PA-P85571615 |
| 4 | GREY COLORED DOOR, LEFT SIDE | 1 | PA-P85571614 |
| 8 | RIGHT SIDE SHELL (RECOIL SIDE) | 1 | PA-P85571617 |
| 9 | GREY COLORED DOOR, RECOIL SIDE | 1 | PA-P85571616 |
| 12 | TOP SPILL GUARD | 1 | PA-P85571761 |
| 20 | SPARK PLUG REPAIR KNOB | 1 | PA-P85571762 |
| 21 | SPRING CLIP | 1 | PA-P85571763 |

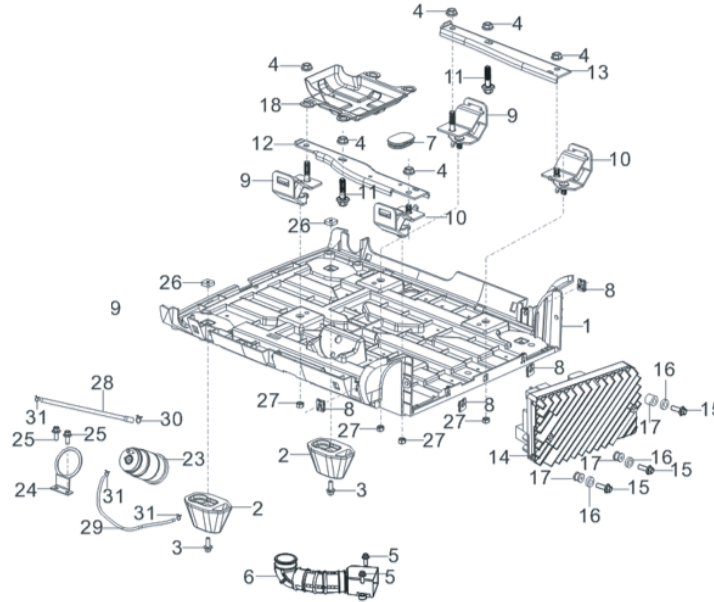


PARTS BREAKDOWN

INVERTER GENERATOR

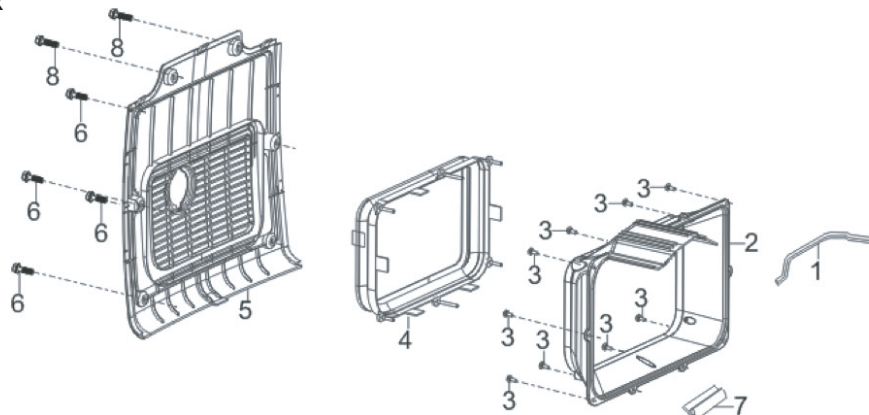
MODEL: PA-GI3500P

INVERTER BASE



| REF # | DESCRIPTION | QTY | PART # |
|-------|-------------------|-----|--------------|
| 1 | BASE PLATE | 1 | PA-P85571764 |
| 2 | FRAME SEAT | 2 | PA-P85571765 |
| 3 | BOLT | 2 | |
| 9 | SHOCK ABSORBER | 2 | PA-P85571766 |
| 10 | SHOCK ABSORBER | 2 | |
| 14 | INVERTER ASSEMBLY | 1 | PA-P85571705 |
| 23 | CARBON CANISTER | 1 | PA-P85571706 |

MUFFLER COVER



| REF # | DESCRIPTION | QTY | PART # |
|-------|---------------------|-----|--------------|
| 5 | MUFFLER COVER PANEL | 1 | PA-P85571768 |



PARTS BREAKDOWN

INVERTER GENERATOR

MODEL: PA-GI3500P

ALLIGATOR CLIPS ACCESSORY



| REF # | DESCRIPTION | QTY | PART # |
|-------|------------------------|-----|--------------|
| 1 | 12v Alligator Clip Set | 1 | PA-P85571000 |

patron[®]

