



2" WATER PUMP BREAKDOWN PA-WPC2

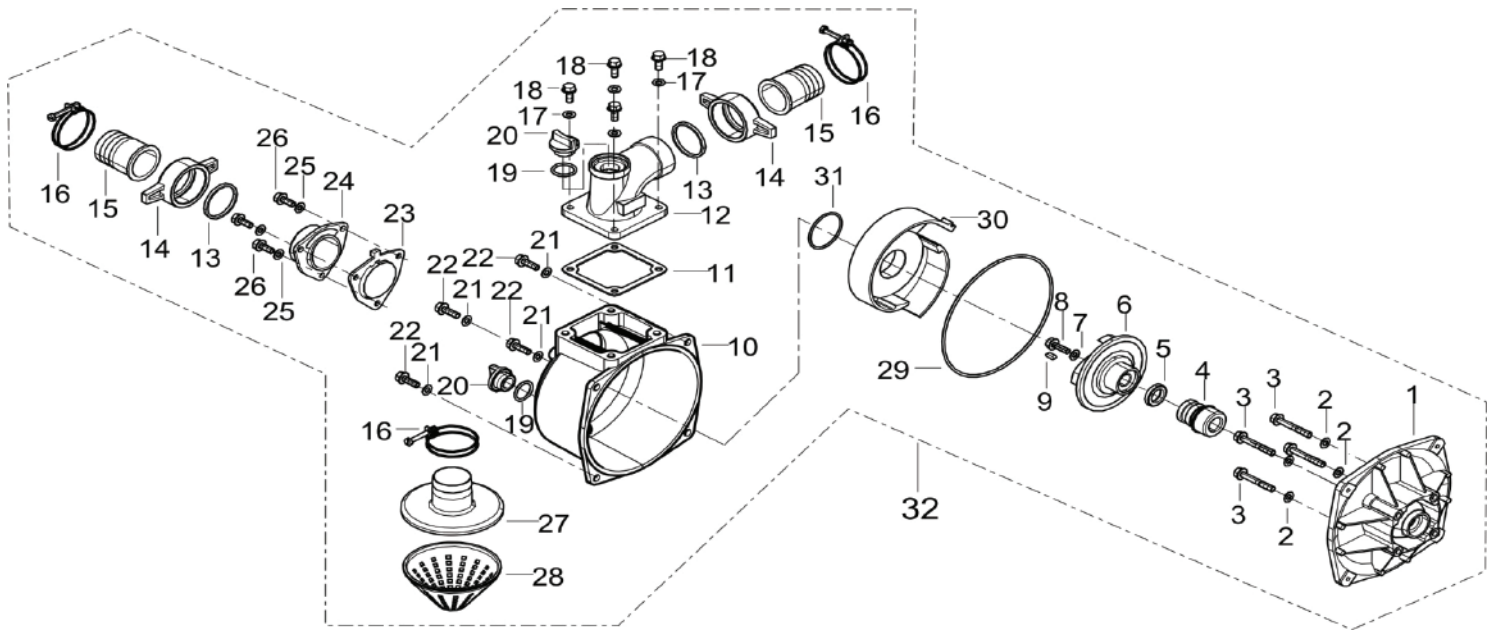


REF #	DESCRIPTION	QTY	PARTS
N/A	Honda GX200 Engine	1	See Honda Website



2" WATER PUMP BREAKDOWN PA-WPC2

WATER PUMP ASSEMBLY

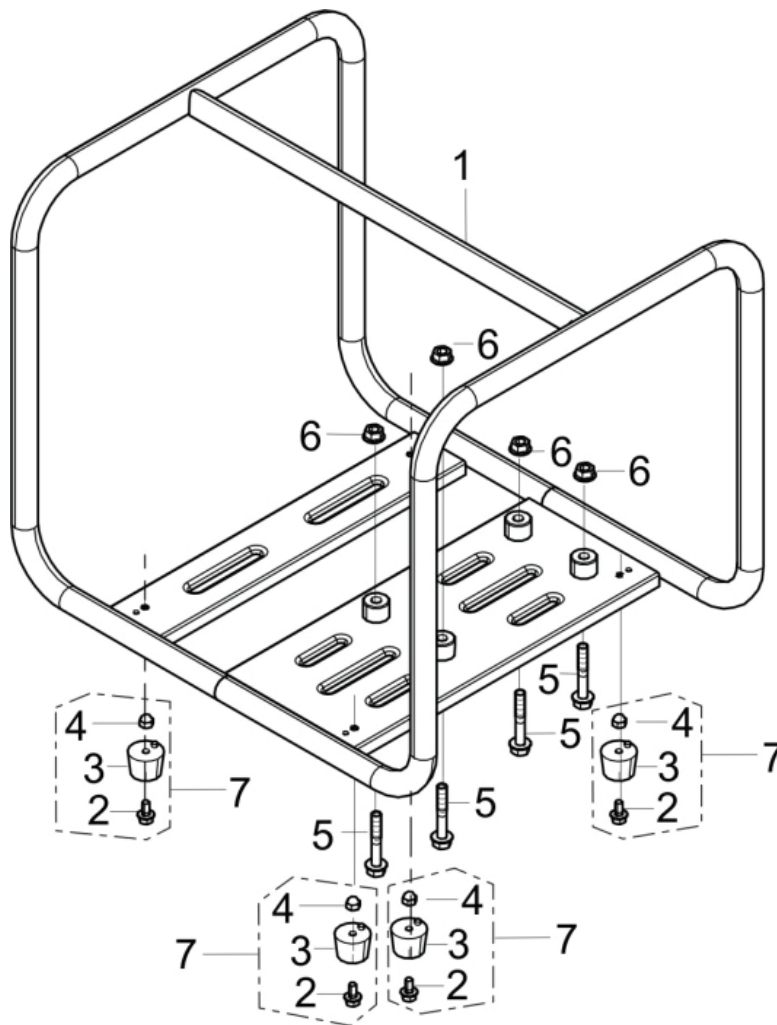


REF #	DESCRIPTION	QTY	PART #
1	Water Pump Joint	1	PA-P85571136
2	Washer	4	PA-P50002200
3	Bolt	4	
7	Washer	1	
8	Bolt	1	
9	Key	1	
22	Bolt	4	
25	Washer	4	
4	Mechanism Seal Assembly	1	
5	Porcelain Seal	1	
11	Outlet Gasket	1	
23	Inltet Water Gasket	1	
29	Water Pump Joint Cushion	1	
31	Whorl Case Sealing Ring	1	
6	Water Pump Impeller	1	PA-P50002201
10	Pump Body	1	PA-P85571134
19	Screw Plug Washer	2	PA-P50002203
20	Thread Plug	2	
12	Water Outlet	1	PA-P50002204
24	Water Inlet	1	
30	Whorl Case	1	PA-P85571135



2" WATER PUMP BREAKDOWN PA-WPC2

FRAME ASSEMBLY



REF #	DESCRIPTION	QTY	PART #
2	Bolt	4	PA-P50002205
3	Engine Frame Shock Absorption Seat	4	
4	Acorn Nut	4	