



# PARTS BREAKDOWN

## 3" WATER PUMP

MODEL: PA-WPC3

---



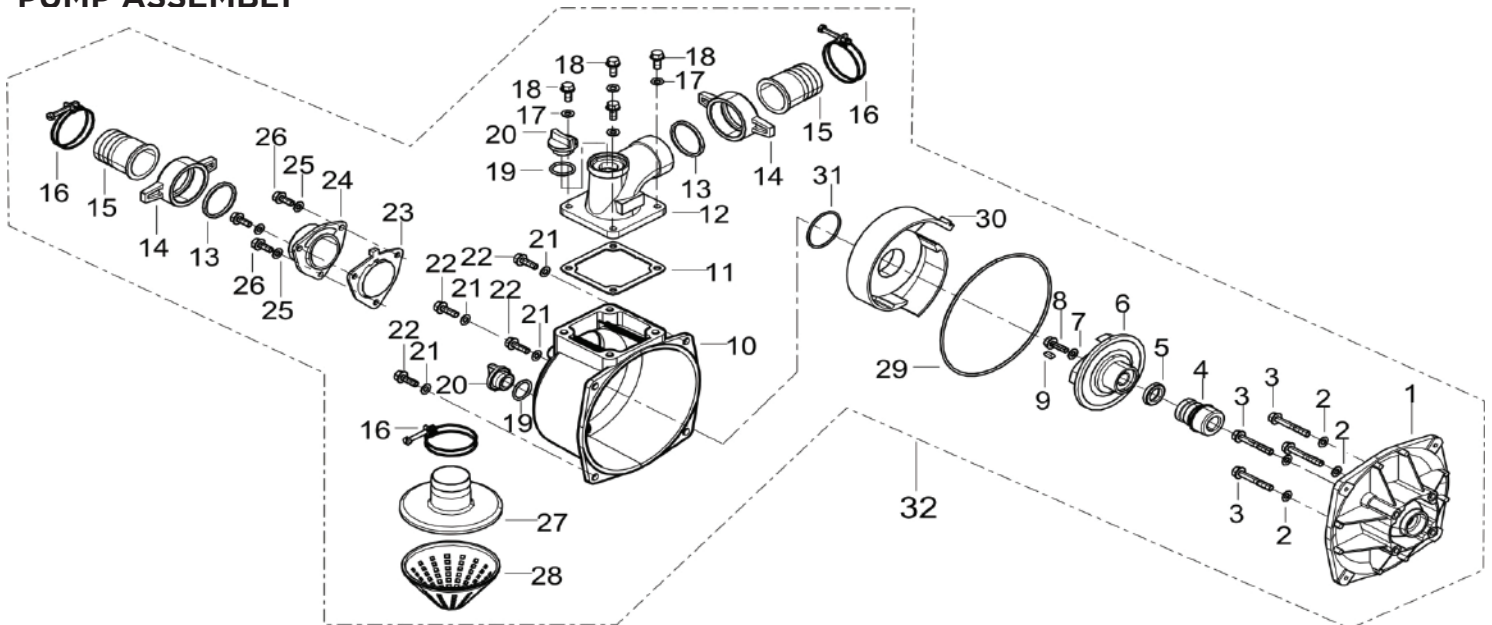


# PARTS BREAKDOWN

## 3" WATER PUMP

MODEL: PA-WPC3

### PUMP ASSEMBLY



| REF # | DESCRIPTION                      | QTY | PART #       |
|-------|----------------------------------|-----|--------------|
| 1     | Water Pump Joint                 | 1   | PA-P50003207 |
| 2     | Washer                           | 4   | PA-P50003200 |
| 3     | Bolt                             | 4   |              |
| 7     | Washer                           | 1   |              |
| 8     | Bolt                             | 1   |              |
| 9     | Key                              | 1   |              |
| 17    | Washer                           | 4   |              |
| 22    | Bolt                             | 4   | PA-P50003202 |
| 4     | Mechanical Seal                  | 1   |              |
| 5     | Porcelain Seal                   | 1   |              |
| 11    | Outlet Gasket                    | 1   |              |
| 23    | Inlet Gasket                     | 1   |              |
| 29    | Joint Cushion                    | 1   | PA-P50003201 |
| 31    | Whorl Case Sealing Ring          | 1   |              |
| 6     | Impeller                         | 1   | PA-P50003206 |
| 10    | Pump Body                        | 1   | PA-P50003204 |
| 12    | Outler                           | 1   |              |
| 24    | Inlet                            | 1   | PA-P50002203 |
| 19    | Plug Washer                      | 2   |              |
| 20    | Plug                             | 2   | PA-P50003208 |
| 27    | Strainer Top                     | 1   |              |
| 28    | Strainer Bottom                  | 1   | PA-P50003205 |
| 30    | Whorl Case                       | 1   |              |
| **    | Complete Frame and Pump Assembly | 1   | PA-P85150203 |

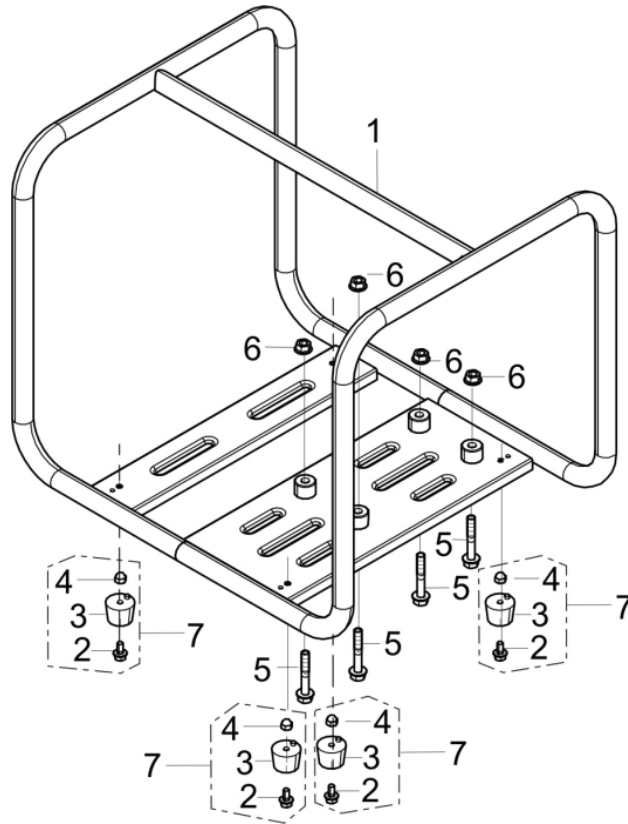


# PARTS BREAKDOWN

## 3" WATER PUMP

MODEL: PA-WPC3

### FRAME ASSEMBLY



| REF # | DESCRIPTION                        | QTY | PART #       |
|-------|------------------------------------|-----|--------------|
| 2     | Bolt                               | 4   | PA-P50002205 |
| 3     | Engine Frame Shock Absorption Seat | 4   |              |
| 4     | Acorn Nut                          | 4   |              |

**\*CHECK WITH HONDA FOR ENGINE BREAKDOWN AND PARTS**

***patron***<sup>®</sup>

