



# PARTS BREAKDOWN

## 2" HIGH-PRESSURE PUMP

MODEL: PA-WPH206

---

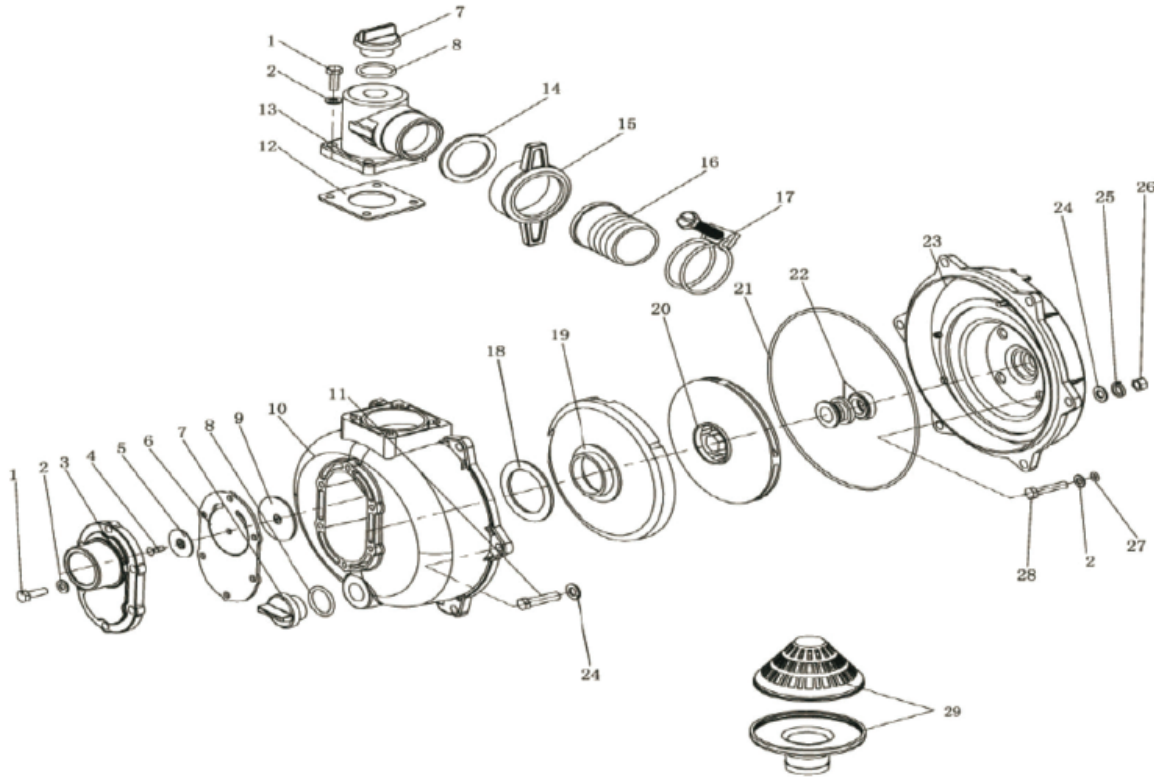




# PARTS BREAKDOWN

## 2" HIGH-PRESSURE PUMP

MODEL: PA-WPH206



REF #	DESCRIPTION	QTY	PART #
3	Inlet	1	PA-P85571142
13	Outlet	1	
6	Inlet Gasket	1	PA-P85571143F
12	Outlet Gasket	1	
18	Whorl Case Seal Ring	1	
21	Water Pump Joint Cushion	1	
22	Porcelain Seal	1	
23	Impeller Seal	1	
24	Mechanical Seal Assembly	1	
27	Gasket	4	PA-P50002263
7	Plug	2	
8	Plug O-ring	2	PA-P85571145
10	Pump Body	1	
19	Whorl Case	1	PA-P85571146F
20	Water Pump Impeller	1	PA-P85571141F
23	Water Pump Joint	1	PA-P85571147F

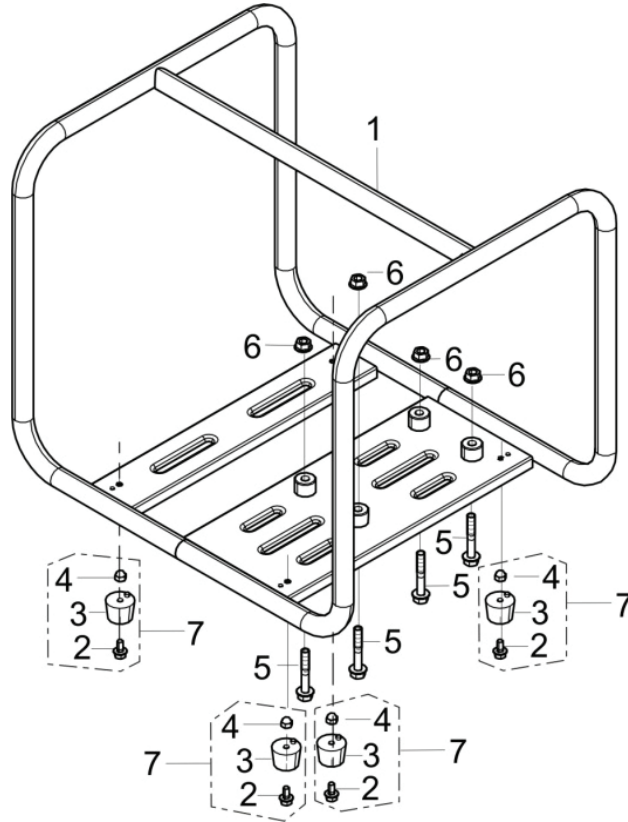


# PARTS BREAKDOWN

## 2" HIGH-PRESSURE PUMP

MODEL: PA-WPH206

### FRAME ASSEMBLY



REF #	DESCRIPTION	QTY	PART #
2	Bolt	4	PA-P50002205
3	Engine Frame Shock Absorption Seat	4	
4	Acorn Nut	4	

**\*CHECK WITH HONDA FOR ENGINE BREAKDOWN AND PARTS**

***patcon***<sup>®</sup>

