

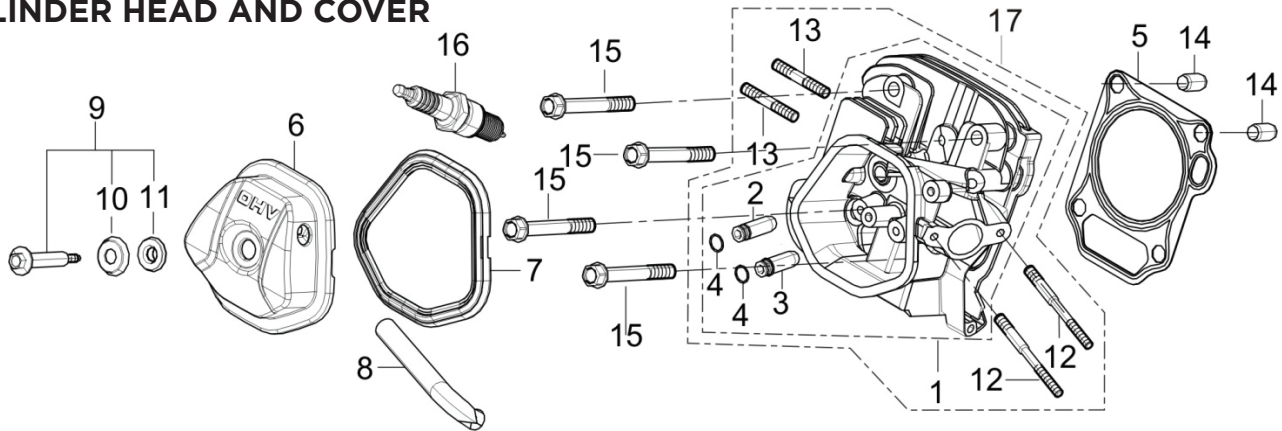


PARTS BREAKDOWN GENERATOR

MODEL: PA-GH9000

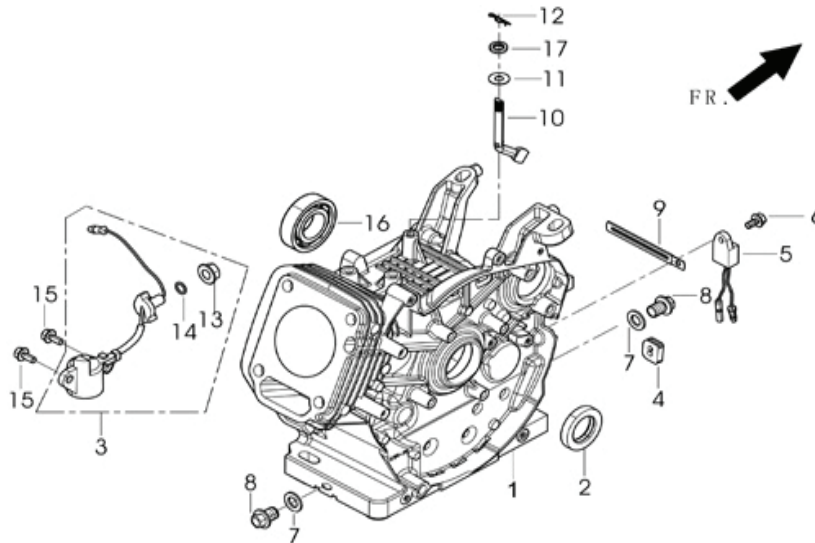


CYLINDER HEAD AND COVER



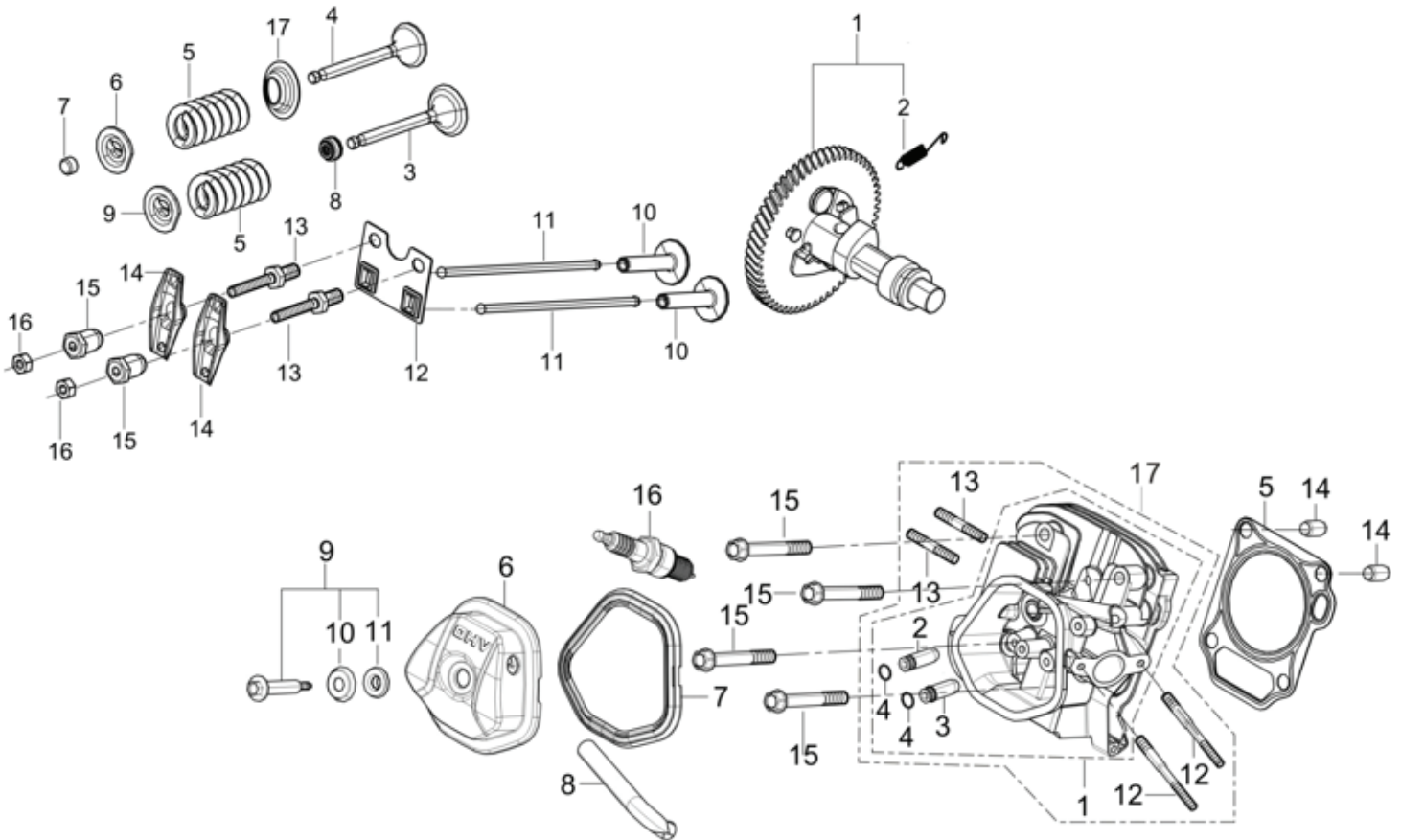
REF #	DESCRIPTION	QTY	PART #
5	CYLINDER HEAD GASKET	1	PA-P85571021
6	COVER SUBASSEMBLY	1	PA-P85571022
7	CYLINDER HEAD COVER GASKET	1	
16	SPARK PLUG	1	PA-P85519001

CRANKCASE



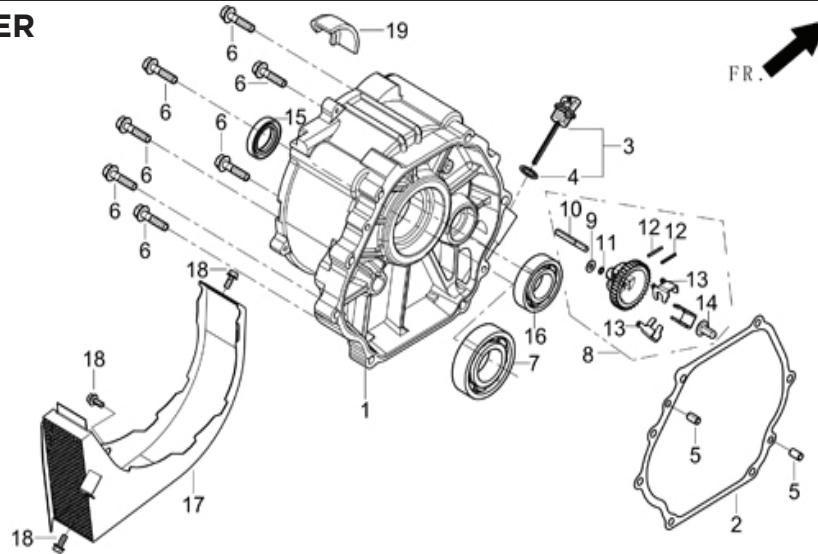
REF #	DESCRIPTION	QTY	PART #
3	OIL SENSOR	1	PA-P85571003
5	OIL ALERT	1	

CYLINDER HEAD AND CAM SHAFT



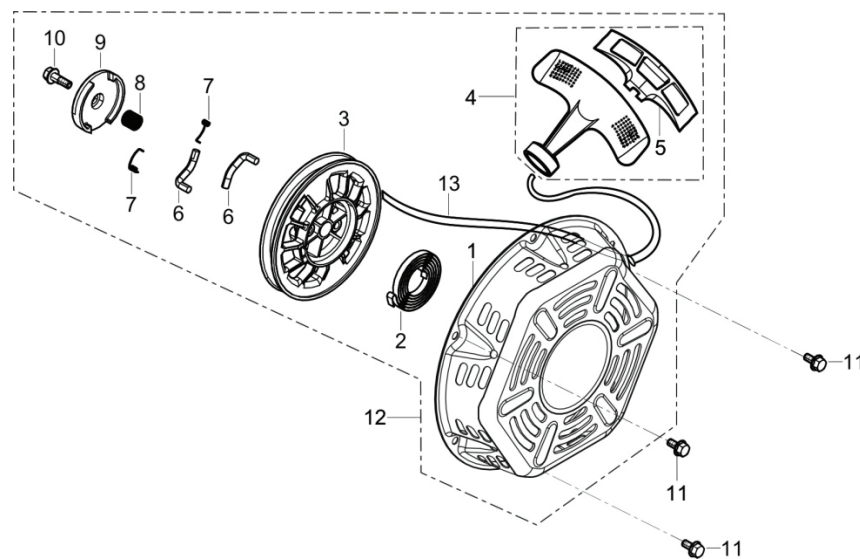
REF NO.	DESCRIPTION	QTY	PART NO.
ALL NUMBERS	COMPLETE CYLINDER HEAD & CAM SHAFT ASSEMBLY	1	PA-P85571039

CRANKCASE COVER



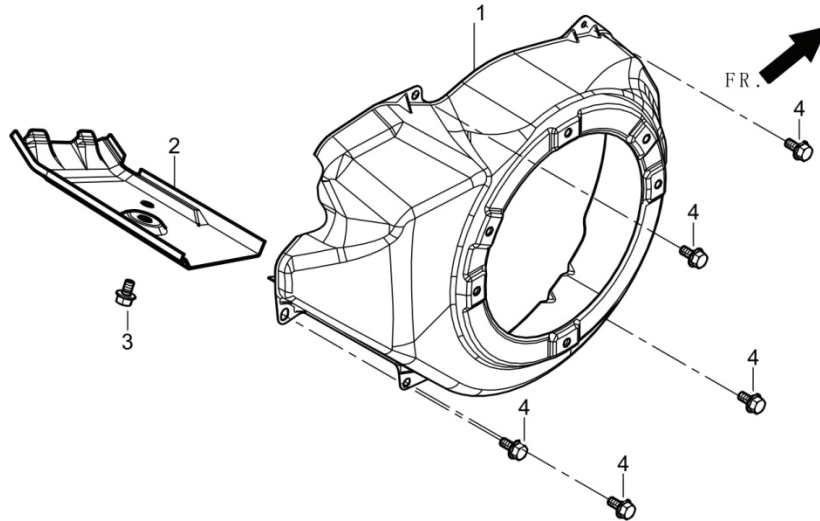
REF NO.	DESCRIPTION	QTY	PART NO.
3	OIL DIPSTIC	1	PA-P85571020
2	CRANKCASE GASKET	1	PA-P85571341
15	OIL SEAL	1	

STARTER



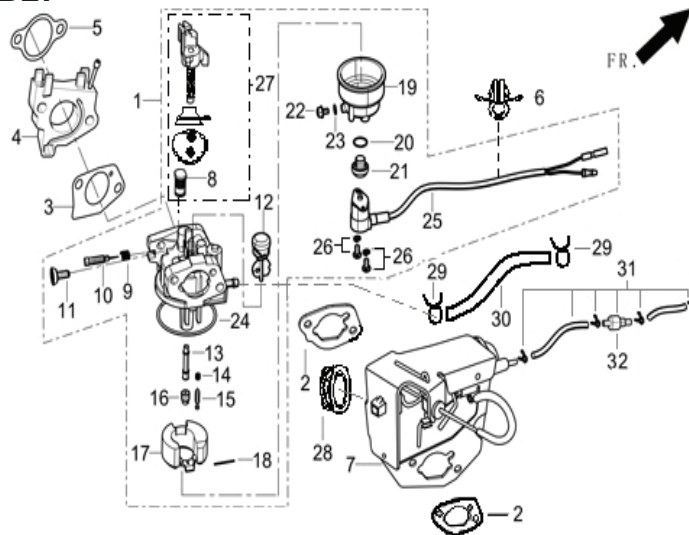
REF NO.	DESCRIPTION	QTY	PART NO.
12	RECOIL ASSEMBLY	1	PA-P85571026

SHROUD



REF NO.	DESCRIPTION	QTY	PART NO.
1	SHROUD (YELLOW)	1	PA-P85571107

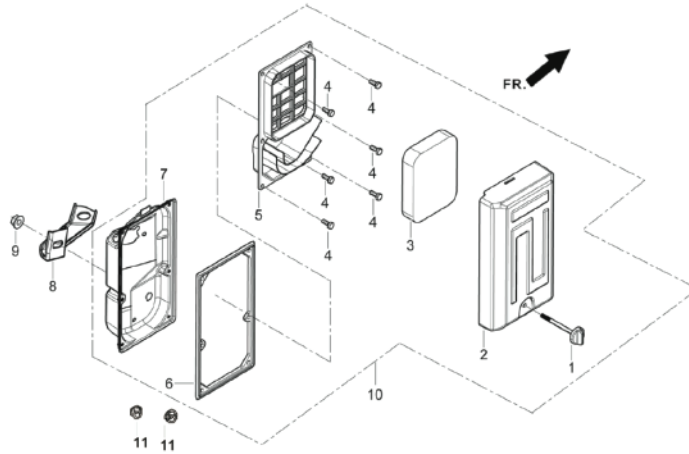
CARBURETOR ASSEMBLY



REF NO.	DESCRIPTION	QTY	PART NO.
1	CARBURETOR ASSEMBLY	1	PA-P85571257
2	GASKET, AIR CLEANER	2	
3	GASKET, CARBURETOR	1	
4	PLATE, CARBURETOR INSULATOR	1	
5	GASKET, INLET	1	
7	CHOKE CONTROL ASSEMBLY	1	PA-P85571248
30	VALVE, ONE WAY	1	
*	HIGH ALTITUDE JET KIT, 3-6K FEET	1	PA-P85571246
*	HIGH ALTITUDE JET KIT, 6-8K FEET	1	PA-P85571247

*REPLACES ORIGINAL JET TO ALLOW OPERATION AT HIGHER ALTITUDE

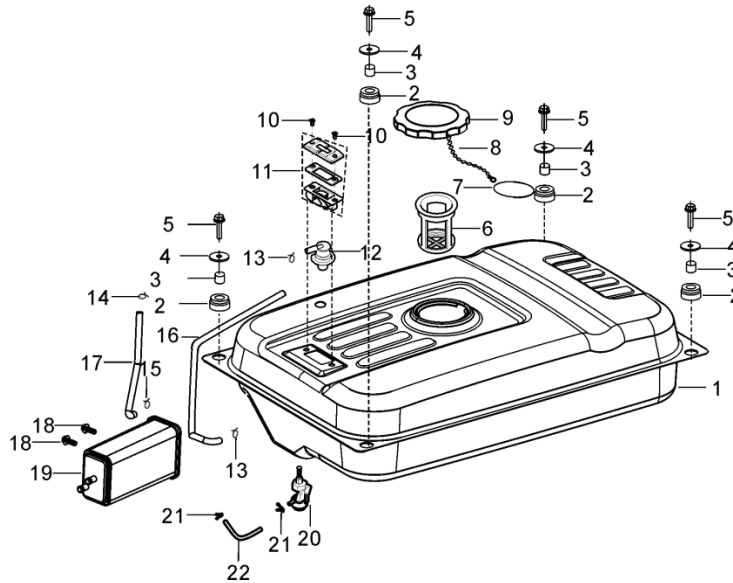
AIR FILTER



REF NO.	DESCRIPTION	QTY	PART NO.
10	AIR FILTER ASSEMBLY, EPA/CARB	1	PA-P85571258
10	*OLD STYLE AIR FILTER , NON-EPA/CARB	1	PA-P85571071

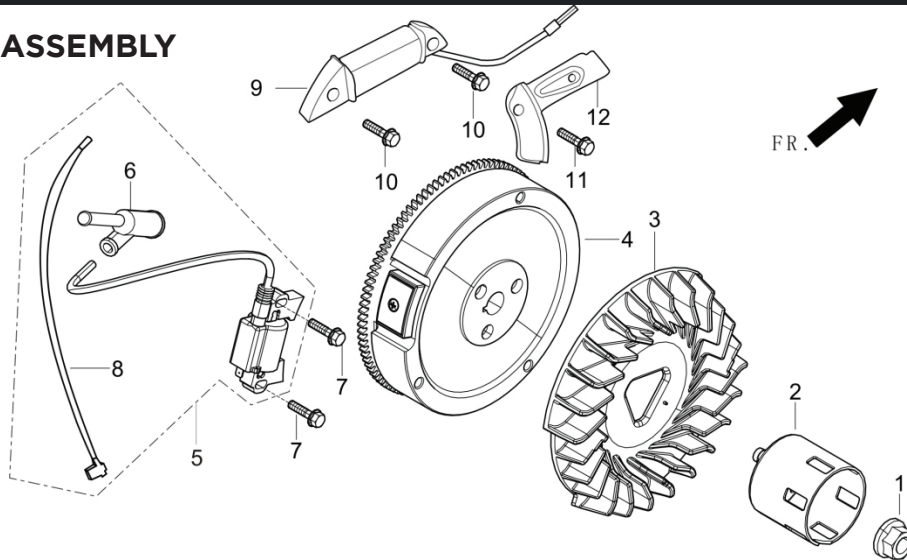
*OLD STYLE AIR FILTER DOES NOT HAVE HOSE BARB ITS THE BACK

FUEL TANK



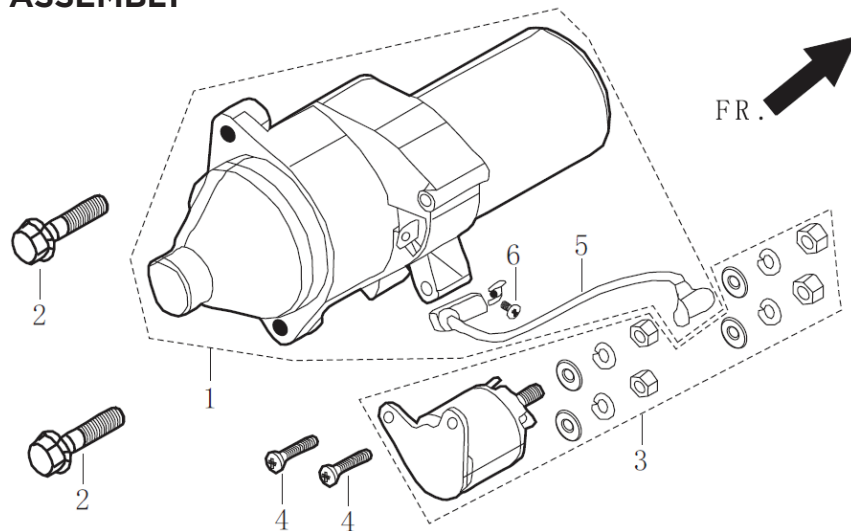
REF NO.	DESCRIPTION	QTY	PART NO.
1	FUEL TANK (NO DECALS/BRANDING)	1	PA-P85571072
9	FUEL TANK CAP	1	PA-P85571074
11	FUEL GAUGE	1	PA-P85571054
19	CARB CANNISTER	1	PA-P85571130
20	FUEL VALVE ASSEMBLY	1	PA-P85571104
21	CLAMP	2	
22	TUBE	1	

FLYWHEEL SUBASSEMBLY



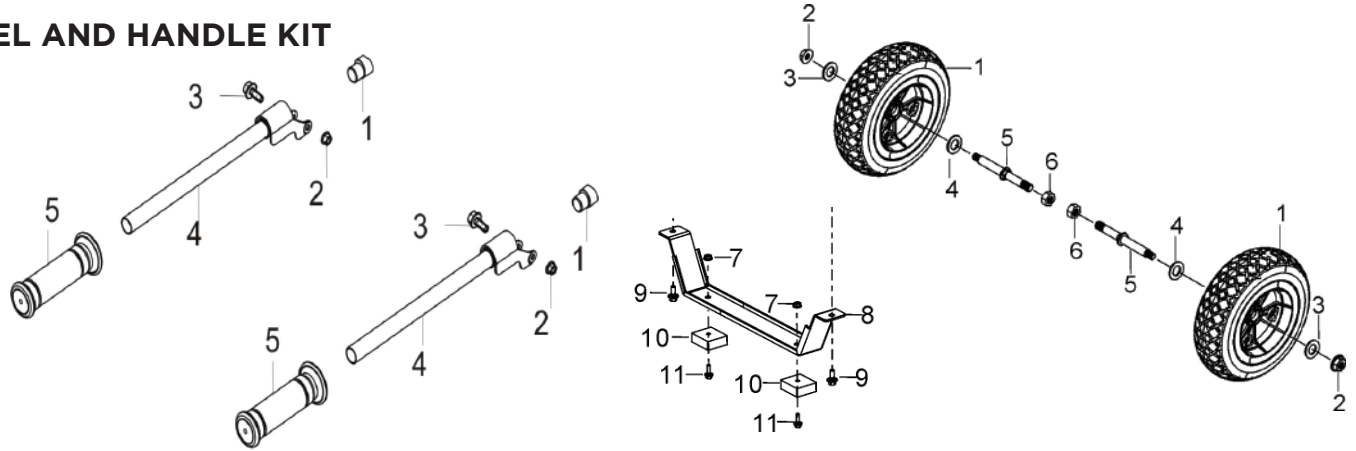
REF NO.	DESCRIPTION	QTY	PART NO.
3	IMPELLER	1	PA-P85571086
4	FLYWHEEL SUBASSEMBLY	1	PA-P85571085
5	IGNITION COIL	1	PA-P85571032
9	CHARGE COIL SUBASSEMBLY	1	PA-P85571075

MOTOR STARTER ASSEMBLY



REF NO.	DESCRIPTION	QTY	PART NO.
1	STARTER MOTOR ASSEMBLY	1	PA-P85571076

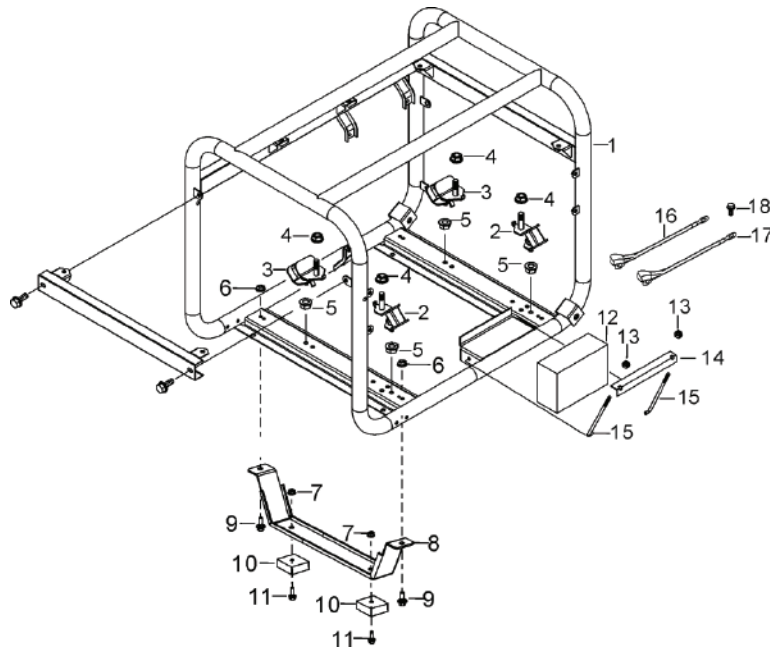
WHEEL AND HANDLE KIT



REF NO.	DESCRIPTION	QTY	PART NO.
1-11	WHEEL AND HANDLE ASSEMBLY	1	PA-P85571087
1-11*	*OLD STYLE WHEEL AND HANDLE ASSEMBLY (NOT SHOWN)	1	PA-P85571077

*OLD STYLE KIT HAS A FULL AXEL CONNECTING THE WHEELS TOGETHER

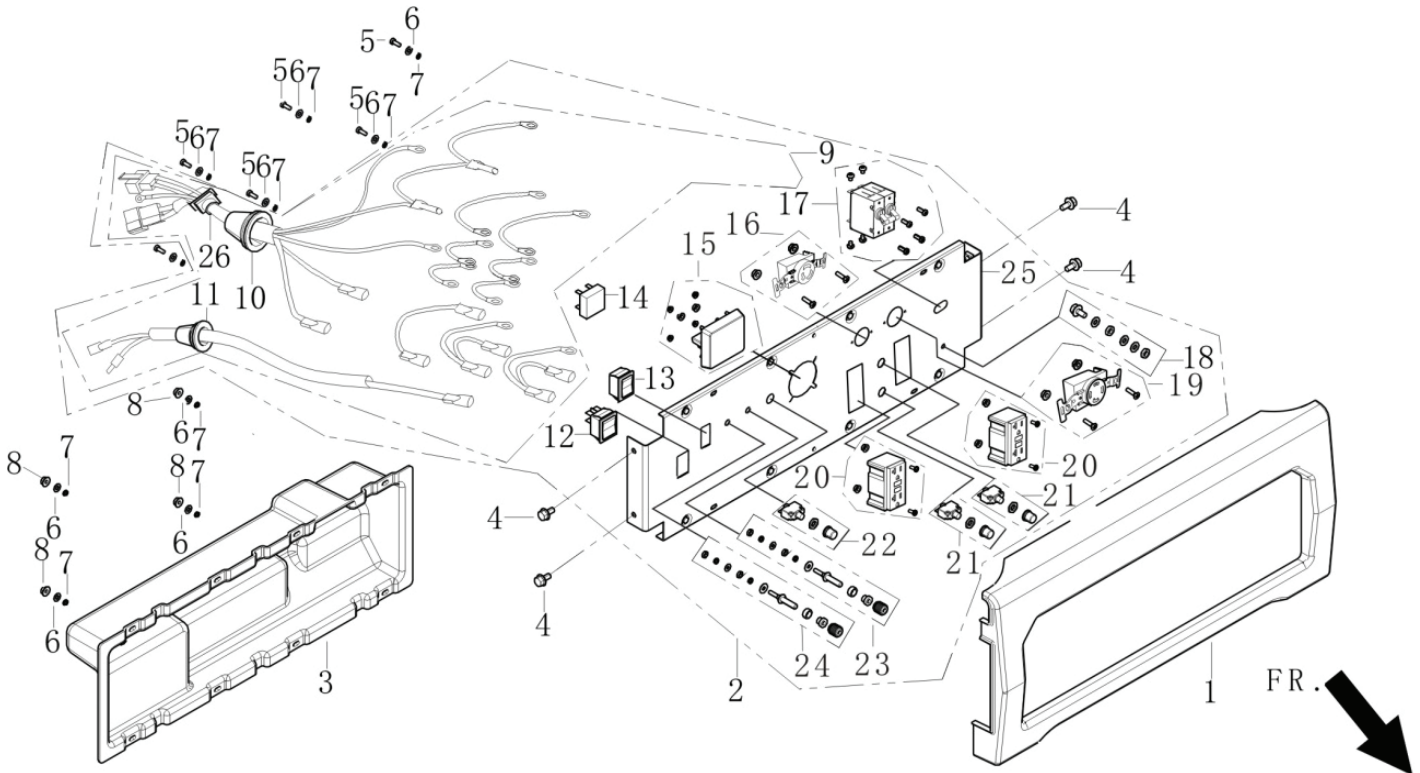
FRAME



REF NO.	DESCRIPTION	QTY	PART NO.
2	FORWARD FRAME CUSHION	2	PA-P85571078
3	REAR FRAME CUSHION	2	
12	LITHIUM-ION BATTERY	1	PA-P85573108
12-15	*LITHIUM-ION BATTERY BRACKET KIT	1	PA-P85571095LI

*BATTERY AND ACCESSORY KIT UPDATES OLDER LEAD-ACID BATTERY SET UP

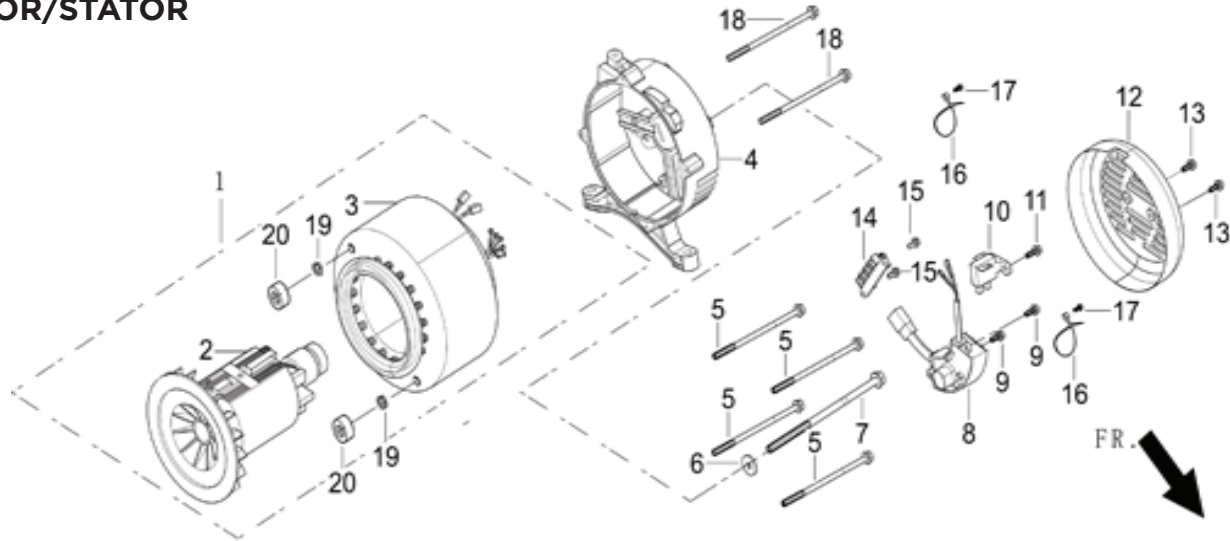
CONTROL PANEL ASSEMBLY



REF NO.	DESCRIPTION	QTY	PART NO.
2	CONTROL PANEL ASSEMBLY	1	PA-P85571091
12	ON/RUN/OFF SWITCH	1	PA-P85571105
13	AUTO THROTTLE SWITCH	1	PA-P85571106
NOT SHOWN	AUTO-IDLE SOLENOID ASSEMBLY	1	PA-P85571096
NOT SHOWN	*AUTO THROTTLE REPAIR SET	1	PA-P85571108
17	DOUBLE-POLE BREAKER	1	PA-P85571089
21	CIRCUIT BREAKER RESET SWITCH	1	
22	CIRCUIT BREAKER RESET SWITCH	1	
14	DC 12V LOCKPOINT PLUG	1	PA-P85571088
16	120/240V NEMA L5-30R TWIST LOCK PLUG	1	
19	240V NEMA L14-30R PLUG	1	
20	120V 20A NEMA 5-20R DUAL PLUG	3	

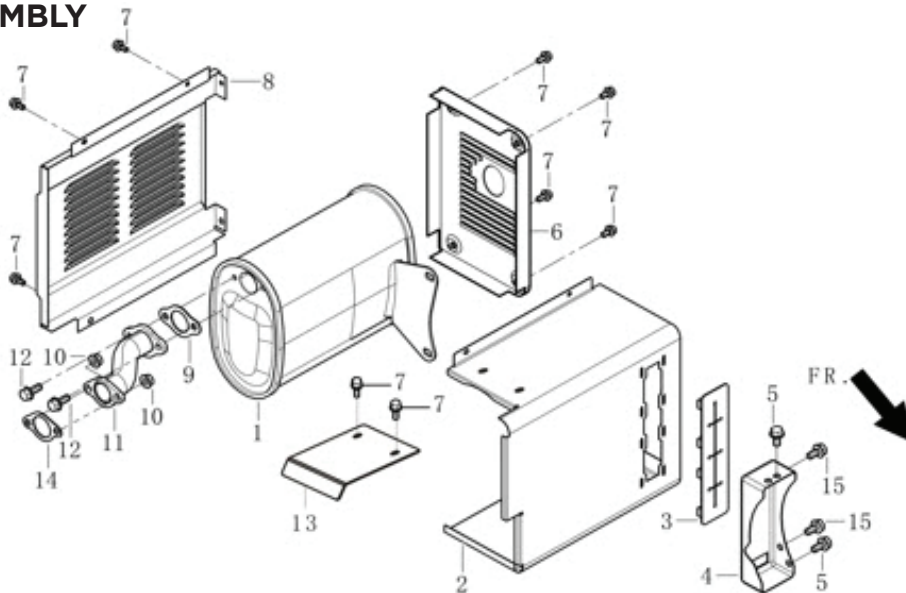
*INCLUDES AUTO THROTTLE SWITCH, AUTO IDLE SOLENOID ASSEMBLY, RELAY AND FUSE

ROTOR/STATOR



REF NO.	DESCRIPTION	QTY	PART NO.
1	MOTOR ASSEMBLY	1	PA-P85571092
4	MOTOR BRACKET	1	PA-P85571127
8	VOLTAGE REGULATOR	1	PA-P85571093
10	CARBON BRUSH SUBASSEMBLY	1	PA-P85571082

MUFFLER ASSEMBLY



REF NO.	DESCRIPTION	QTY	PART NO.
1-15	MUFFLER ASSEMBLY	1	PA-P85571098

patron[®]

