



PARTS BREAKDOWN TRASH TRANSFER PUMP

MODEL: PA-WPT3

‘TYPE RS’



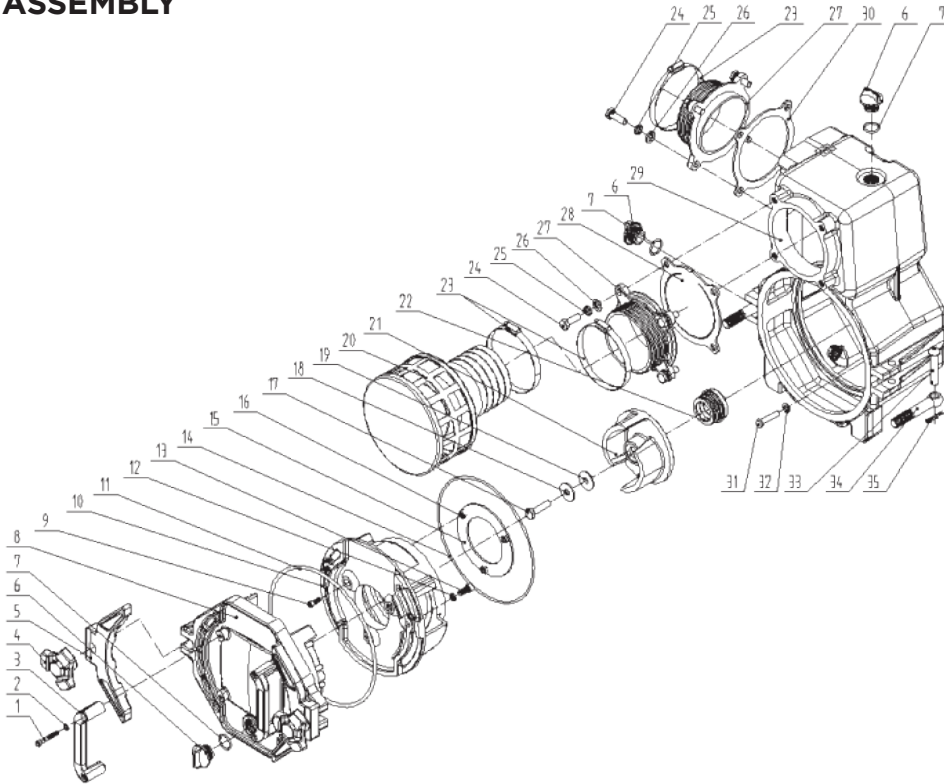


PARTS BREAKDOWN

TRASH TRANSFER PUMP

MODEL: PA-WPT3

WATER PUMP ASSEMBLY



REF #	DESCRIPTION	QTY	PART #
3	HANDLE	2	PA-P50103409
4	TRIANGLE NUT	2	PA-P50103410
5	PUMP COVER PRESSING PLATER	2	PA-P50103411
6	G3/4"-14 SCREW PLUG	3	PA-P50103406
7	G3/4"-14 PLUG O-RING	3	
8	PUMP COVER	1	PA-P50103407
10	DIFFUSOR	1	PA-P50103405
13	HEXAGON SOCKET HEAD CAP SCREWS M8x20	2	PA-P50103412
15	DIFFUSER PANEL	1	
11	O-RING	1	PA-P50103401
14	DIFFUSER SEAL RING 219x3.5	1	
18	GASKET 10	1	
19	RUBBER PLUG	1	
28	FLAP VALVE	1	
32	GASKET 8.5x18x3	4	
21	IMPELLER	1	PA-P50103400
29	PUMP BODY	1	PA-P50103402
27	SUCTION FLANGE	1	PA-P50103416
33-35	SWING BOLT ASSEMBLY	2	PA-P50103403

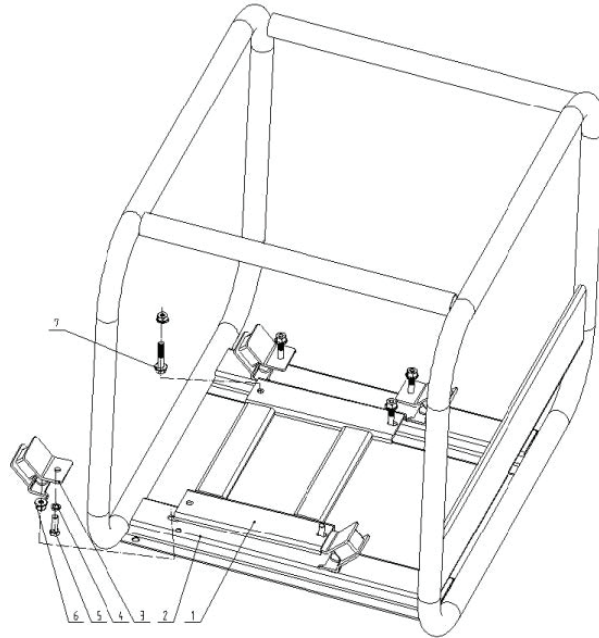


PARTS BREAKDOWN

TRASH TRANSFER PUMP

MODEL: PA-WPT3

FRAME



REF #	DESCRIPTION	QTY	PART #
1	SUPPORT PLATE	1	PA-P50103408
2	FRAME	1	
3	SHOCK ABSORBER	4	PA-P50102154
4	SPRING WASHER	2	
5	OUTER HEXAGON BOLT M8 x 25	2	
6	SKID RESISTANT NUT WITH PAD M8	8	
7	OUTER HEXAGON BOLT M8 x 40	4	CHECK HARDWARE STORE

REF #	DESCRIPTION	QTY	PART #
	HONDA GX390 ENGINE	1	CHECK WITH HONDA

patron[®]

