



# PARTS BREAKDOWN

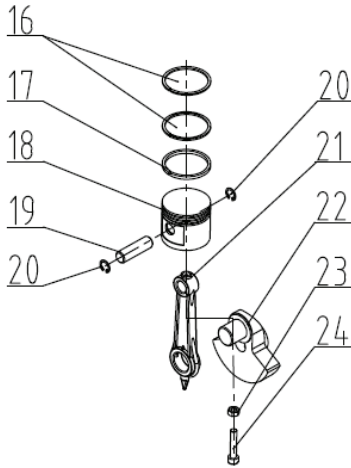
## AIR COMPRESSOR

MODEL: PA-C2505

---

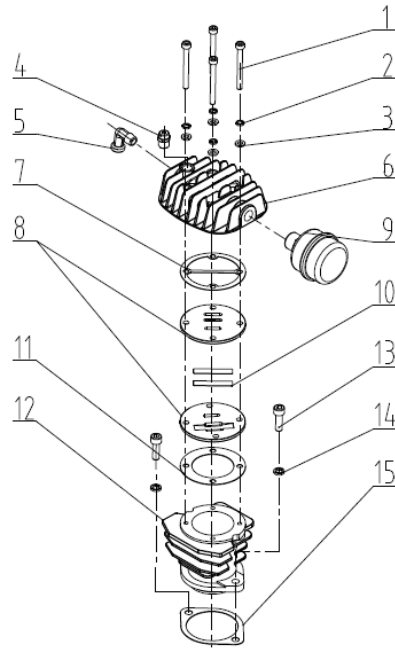


### PISTON ASSEMBLY



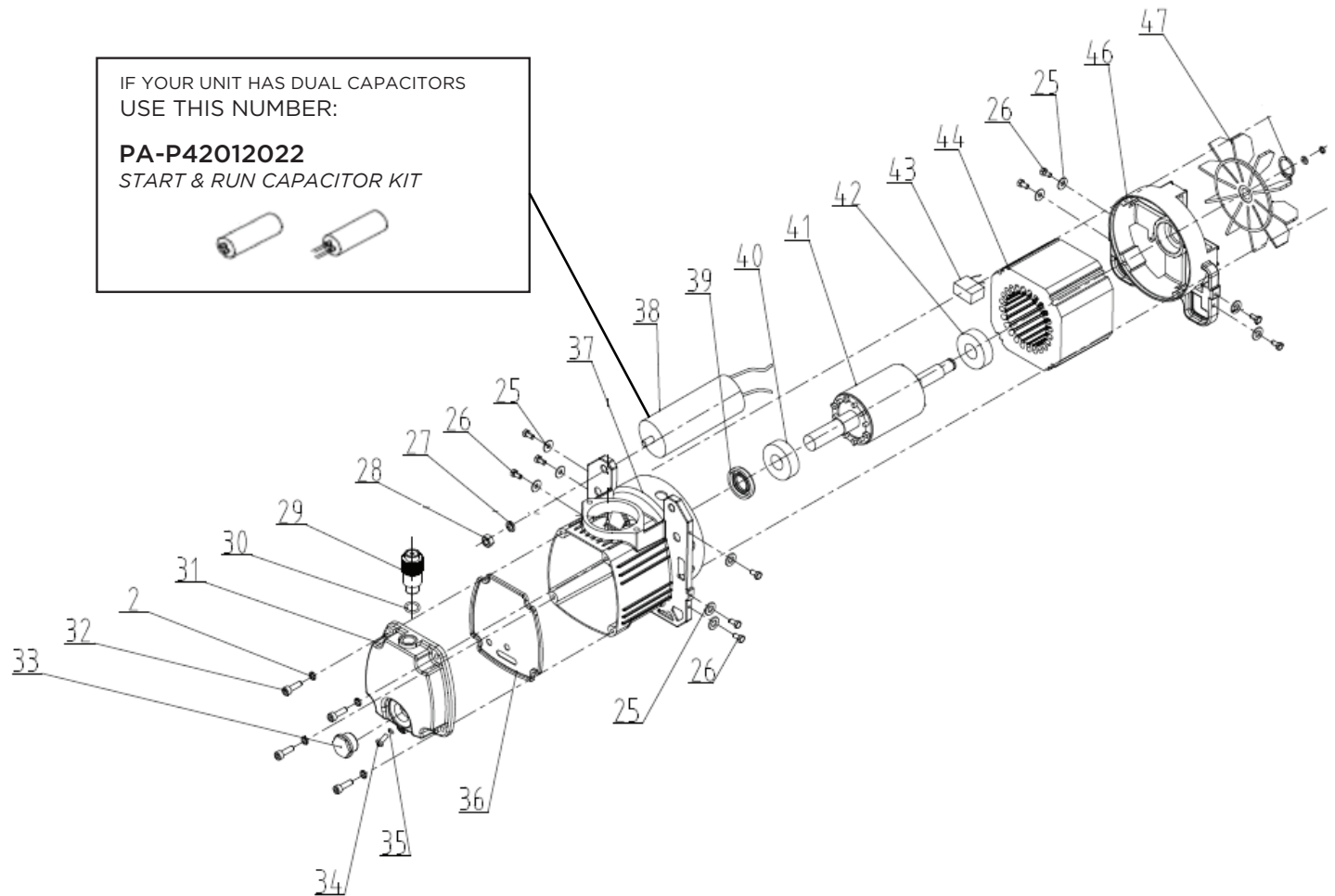
REF #	DESCRIPTION	QTY	PART #
22	CRANK SHAFT	1	PA-P42001031

### COMPRESSOR HEAD



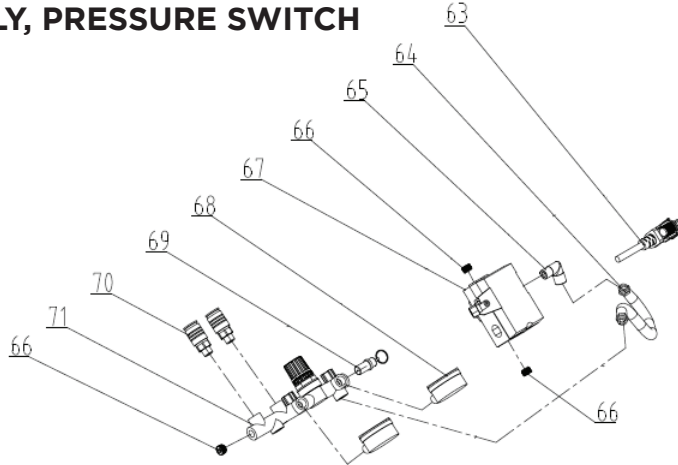
REF #	DESCRIPTION	QTY	PART #
2	WASHER, SPRING	8	PA-P42001028
3	WASHER, PLAIN	4	PA-P42001034
4	COLD WEATHER START VALVE	1	PA-P42010050
9	AIR FILTER, COMPLETE ASSEMBLY	1	PA-P42012013

### PUMP ASSEMBLY



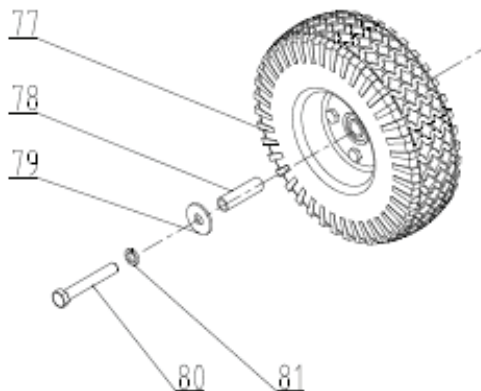
REF #	DESCRIPTION	QTY	PART #
33	SIGHT GLASS, OIL	1	PA-P42001029
37	CRANKCASE	1	PA-P42001032
38	CAPACITOR	1	PA-P42012026
39	SEAL, OIL	1	PA-P42001035
43	THERMAL PROTECTOR	1	PA-P42001036

### MANIFOLD ASSEMBLY, PRESSURE SWITCH



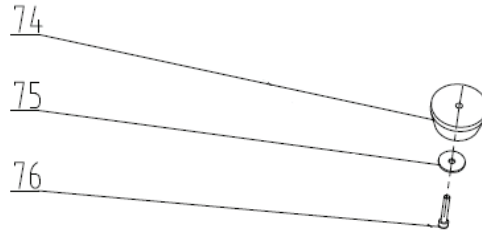
REF #	DESCRIPTION	QTY	PART #
64	HOSE, OUTLET	1	PA-P42012008
65	ELBOW	1	PA-P42012007
67	PRESSURE SWITCH	1	PA-P42006045
66	END CAP	3	PA-P42012009
68	GAUGE	2	
70	QUICK COUPLER	2	
71	REGULATOR	1	
69	SAFETY VALVE	1	PA-P42006009

### WHEEL ASSEMBLY



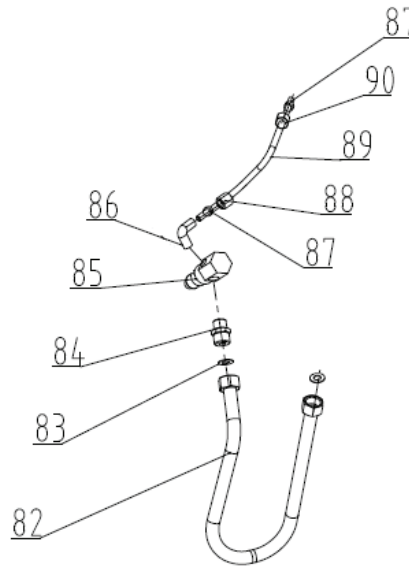
REF #	DESCRIPTION	QTY	PART #
77	WHEEL	2	PA-P42012002
78	WHEEL SPACER	2	
79	WASHER	2	
80	BOLT	2	
81	SPRING WASHER	2	

#### RUBBER FEET



REF #	DESCRIPTION	QTY	PART #
74	FOOT, RUBBER	2	PA-P42012001
75	WASHER	2	
76	BOLT	2	

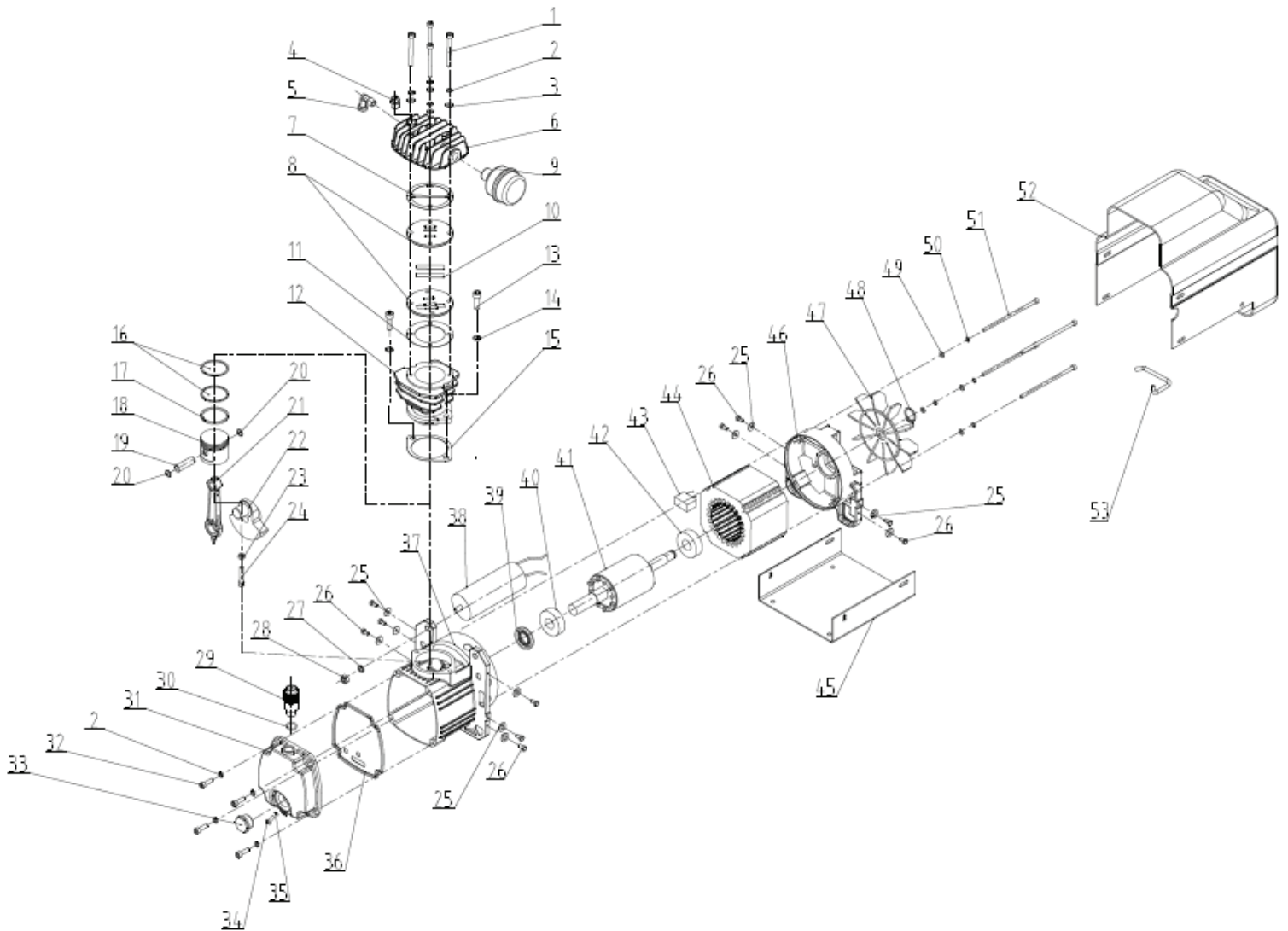
#### DISCHARGE TUBE



REF #	DESCRIPTION	QTY	PART #
82	INLET ASSEMBLY	1	PA-P42012005
83	SEAL GASKET	2	
84	STRAIGHT JOINT	1	
85	CHECK VALVE	1	PA-P42012003
86	ELBOW	1	PA-P42012004
87	FERRULE	2	
88	NUT	1	
89	ALUMINUM TUBE	1	
90	NUT	1	

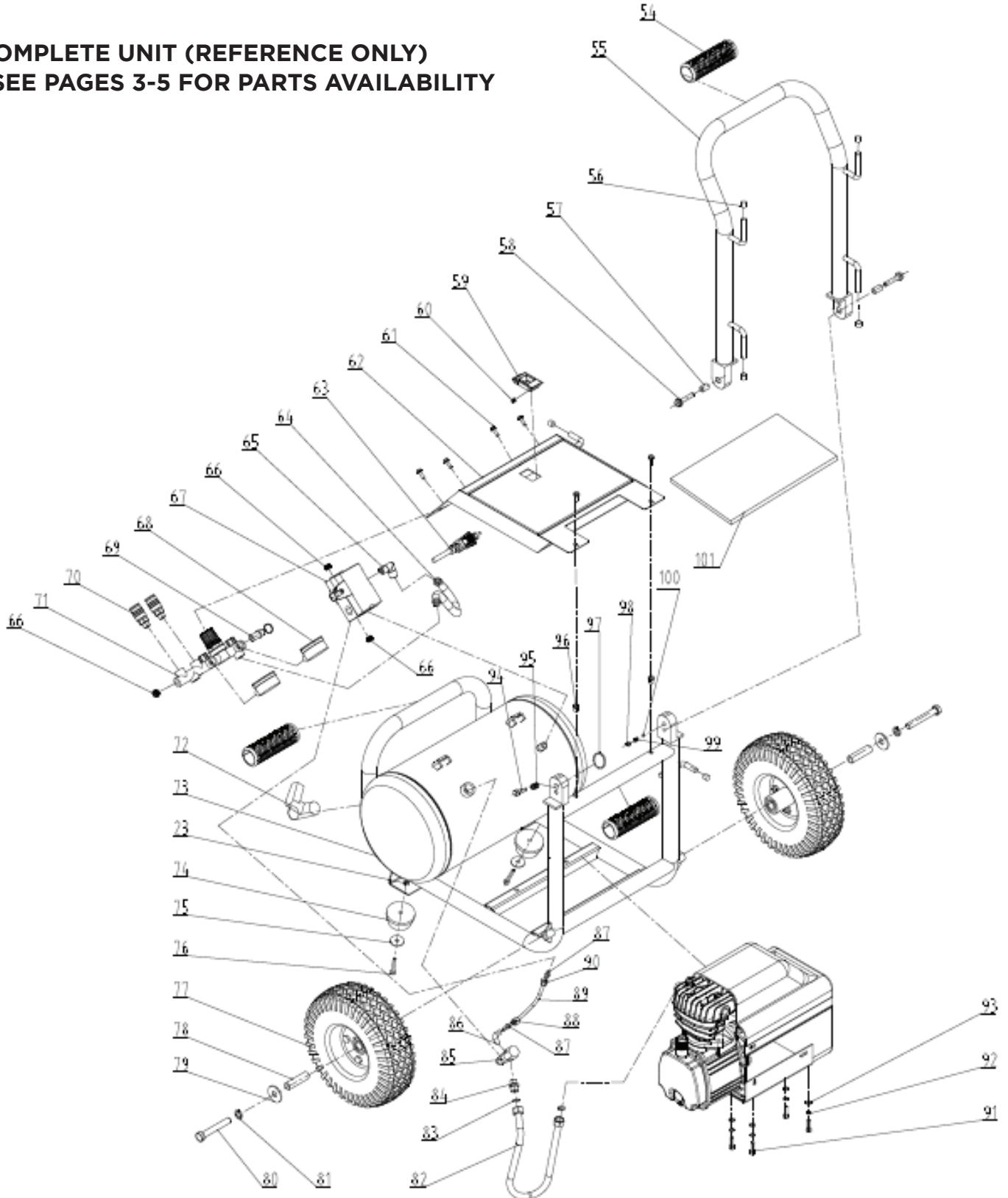
## PARTS BREAKDOWN AIR COMPRESSOR MODEL: PA-C2505

COMPLETE PUMP (REFERENCE ONLY)  
SEE PAGES 2-3 FOR PARTS AVAILABILITY



## PARTS BREAKDOWN AIR COMPRESSOR MODEL: PA-C2505

COMPLETE UNIT (REFERENCE ONLY)  
SEE PAGES 3-5 FOR PARTS AVAILABILITY



***patcon***<sup>®</sup>

