

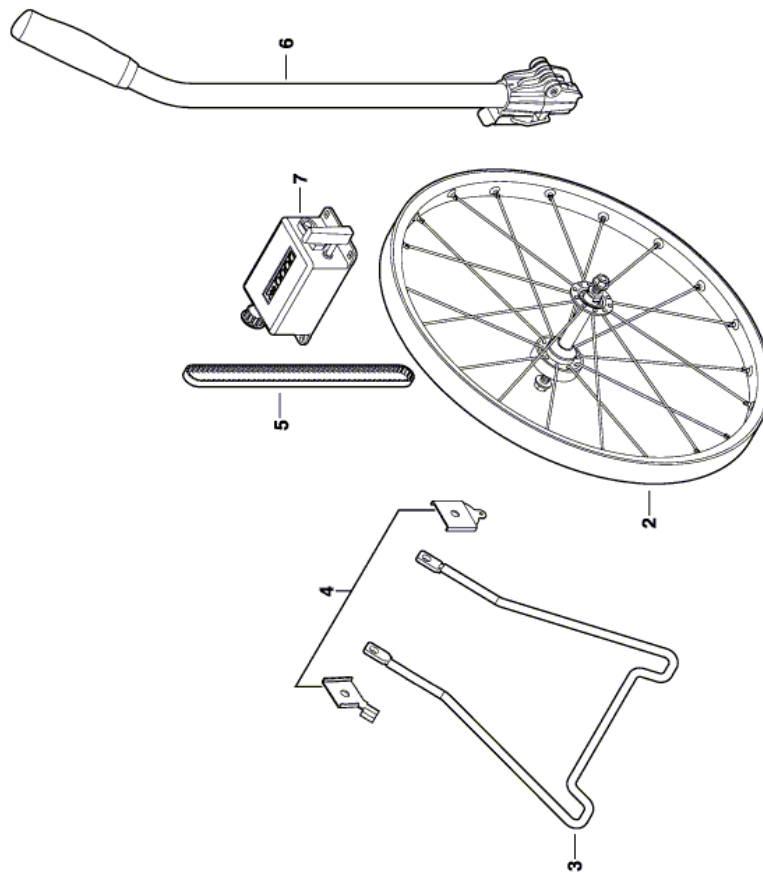
# . - F 034 K74 611 - 32-401

Item	Part Number	Description	Illustration	Price	Quantity	Price Group
2	2 610 A15 770	Wheel		1 \$ 67.00	1	43
3	2 610 A15 771	Stand		1 \$ 7.20	1	22
4	2 610 A15 772	Clip		1 \$ 3.55	1	17
5	2 610 A15 773	Drive Belt		1 \$ 7.20	1	22
6	2 610 A15 774	Handle		1 \$ 36.60	1	37
7	2 610 A15 775	Milometer		1 \$ 50.25	1	40

Product information . - F 034 K74 611 - 32-401

Product No	F 034 K74 611
Description	0; .
DIN-Text	
ID_Text_Ext	0
Trading_Description	32-401
Voltage_1	0 V
ID_Country_Product	USA

Illustration - Type E



F 034 K74 611  
Stand }  
Issue } 13-01-31  
**Fig./Abb. 1**

Änderungen vorbehalten  
Modifications reserved  
Modificacions reservées  
Salvo modificaciones

Information subject to change without further notice.